

NFPA[®] 20

Standard for the Installation of Stationary Pumps for Fire Protection

2016 Edition



IMPORTANT NOTICES AND DISCLAIMERS CONCERNING NFPA® DOCUMENTS

NOTICE AND DISCLAIMER OF LIABILITY CONCERNING THE USE OF NFPA DOCUMENTS

NFPA® codes, standards, recommended practices, and guides (“NFPA Standards”), of which the document contained herein is one, are developed through a consensus standards development process approved by the American National Standards Institute. This process brings together volunteers representing varied viewpoints and interests to achieve consensus on fire and other safety issues. While the NFPA administers the process and establishes rules to promote fairness in the development of consensus, it does not independently test, evaluate, or verify the accuracy of any information or the soundness of any judgments contained in NFPA Standards.

The NFPA disclaims liability for any personal injury, property or other damages of any nature whatsoever, whether special, indirect, consequential or compensatory, directly or indirectly resulting from the publication, use of, or reliance on NFPA Standards. The NFPA also makes no guaranty or warranty as to the accuracy or completeness of any information published herein.

In issuing and making NFPA Standards available, the NFPA is not undertaking to render professional or other services for or on behalf of any person or entity. Nor is the NFPA undertaking to perform any duty owed by any person or entity to someone else. Anyone using this document should rely on his or her own independent judgment or, as appropriate, seek the advice of a competent professional in determining the exercise of reasonable care in any given circumstances.

The NFPA has no power, nor does it undertake, to police or enforce compliance with the contents of NFPA Standards. Nor does the NFPA list, certify, test, or inspect products, designs, or installations for compliance with this document. Any certification or other statement of compliance with the requirements of this document shall not be attributable to the NFPA and is solely the responsibility of the certifier or maker of the statement.

REMINDER: UPDATING OF NFPA STANDARDS

Users of NFPA codes, standards, recommended practices, and guides (“NFPA Standards”) should be aware that NFPA Standards may be amended from time to time through the issuance of Tentative Interim Amendments or corrected by Errata. An official NFPA Standard at any point in time consists of the current edition of the document together with any Tentative Interim Amendment and any Errata then in effect.

In order to determine whether an NFPA Standard has been amended through the issuance of Tentative Interim Amendments or corrected by Errata, visit the Document Information Pages on NFPA’s website. The Document Information Pages provide up-to-date, document specific information including any issued Tentative Interim Amendments and Errata.

To access the Document Information Page for a specific NFPA Standard, go to <http://www.nfpa.org/docinfo> to choose from the list of NFPA Standards or use the search feature on the right to select the NFPA Standard number (e.g., NFPA 101). In addition to posting all existing Tentative Interim Amendments and Errata, the Document Information Page also includes the option to sign-up for an “Alert” feature to receive an email notification when new updates and other information are posted regarding the document.

IMPORTANT NOTICES AND DISCLAIMERS CONCERNING NFPA® STANDARDS

ADDITIONAL NOTICES AND DISCLAIMERS

Updating of NFPA Standards

Users of NFPA codes, standards, recommended practices, and guides (“NFPA Standards”) should be aware that these documents may be superseded at any time by the issuance of new editions or may be amended from time to time through the issuance of Tentative Interim Amendments or corrected by Errata. An official NFPA Standard at any point in time consists of the current edition of the document together with any Tentative Interim Amendments and any Errata then in effect. In order to determine whether a given document is the current edition and whether it has been amended through the issuance of Tentative Interim Amendments or corrected through the issuance of Errata, consult appropriate NFPA publications such as the National Fire Codes® Subscription Service, visit the NFPA website at www.nfpa.org, or contact the NFPA at the address listed below.

Interpretations of NFPA Standards

A statement, written or oral, that is not processed in accordance with Section 6 of the Regulations Governing the Development of NFPA Standards shall not be considered the official position of NFPA or any of its Committees and shall not be considered to be, nor be relied upon as, a Formal Interpretation.

Patents

The NFPA does not take any position with respect to the validity of any patent rights referenced in, related to, or asserted in connection with an NFPA Standard. The users of NFPA Standards bear the sole responsibility for determining the validity of any such patent rights, as well as the risk of infringement of such rights, and the NFPA disclaims liability for the infringement of any patent resulting from the use of or reliance on NFPA Standards.

NFPA adheres to the policy of the American National Standards Institute (ANSI) regarding the inclusion of patents in American National Standards (“the ANSI Patent Policy”), and hereby gives the following notice pursuant to that policy:

NOTICE: The user’s attention is called to the possibility that compliance with an NFPA Standard may require use of an invention covered by patent rights. NFPA takes no position as to the validity of any such patent rights or as to whether such patent rights constitute or include essential patent claims under the ANSI Patent Policy. If, in connection with the ANSI Patent Policy, a patent holder has filed a statement of willingness to grant licenses under these rights on reasonable and nondiscriminatory terms and conditions to applicants desiring to obtain such a license, copies of such filed statements can be obtained, on request, from NFPA. For further information, contact the NFPA at the address listed below.

Law and Regulations

Users of NFPA Standards should consult applicable federal, state, and local laws and regulations. NFPA does not, by the publication of its codes, standards, recommended practices, and guides, intend to urge action that is not in compliance with applicable laws, and these documents may not be construed as doing so.

Copyrights

NFPA Standards are copyrighted. They are made available for a wide variety of both public and private uses. These include both use, by reference, in laws and regulations, and use in private self-regulation, standardization, and the promotion of safe practices and methods. By making these documents available for use and adoption by public authorities and private users, the NFPA does not waive any rights in copyright to these documents.

Use of NFPA Standards for regulatory purposes should be accomplished through adoption by reference. The term “adoption by reference” means the citing of title, edition, and publishing information only. Any deletions, additions, and changes desired by the adopting authority should be noted separately in the adopting instrument. In order to assist NFPA in following the uses made of its documents, adopting authorities are requested to notify the NFPA (Attention: Secretary, Standards Council) in writing of such use. For technical assistance and questions concerning adoption of NFPA Standards, contact NFPA at the address below.

For Further Information

All questions or other communications relating to NFPA Standards and all requests for information on NFPA procedures governing its codes and standards development process, including information on the procedures for requesting Formal Interpretations, for proposing Tentative Interim Amendments, and for proposing revisions to NFPA standards during regular revision cycles, should be sent to NFPA headquarters, addressed to the attention of the Secretary, Standards Council, NFPA, 1 Batterymarch Park, P.O. Box 9101, Quincy, MA 02269-9101; email: stds_admin@nfpa.org

For more information about NFPA, visit the NFPA website at www.nfpa.org. All NFPA codes and standards can be viewed at no cost at www.nfpa.org/freeaccess.

Copyright © 2015 National Fire Protection Association®. All Rights Reserved.

NFPA®20

Standard for the

Installation of Stationary Pumps for Fire Protection

2016 Edition

This edition of NFPA 20, *Standard for the Installation of Stationary Pumps for Fire Protection*, was prepared by the Technical Committee on Fire Pumps. It was issued by the Standards Council on May 26, 2015, with an effective date of June 15, 2015, and supersedes all previous editions.

This edition of NFPA 20 was approved as an American National Standard on June 15, 2015.

Origin and Development of NFPA 20

The first National Fire Protection Association standard for automatic sprinklers was published in 1896 and contained paragraphs on steam and rotary fire pumps.

The Committee on Fire Pumps was organized in 1899 with five members from underwriter associations. Modern committee membership has included representatives of Underwriters Laboratories of both the United States and Canada, Insurance Services Office, Factory Mutual, Industrial Risk Insurers, national trade associations, state governments, engineering organizations, and private individuals.

Early fire pumps were only secondary supplies for sprinklers, standpipes, and hydrants and were started manually. Today, fire pumps have greatly increased in number and in applications — many are the major or only water supply, and almost all are started automatically. Early pumps usually took suction by lift from standing or flowing water supplies because the famed National Standard Steam Fire Pump and rotary types suited that service. Ascendancy of the centrifugal pump resulted in positive head supply to horizontal shaft pumps from public water supplies and aboveground tanks. Later, vertical shaft turbine-type pumps were lowered into wells or into wet pits supplied from ponds or other belowground sources of water.

Gasoline engine-driven pumps first appeared in this standard in 1913. From an early status of relative unreliability and of supplementary use only, first spark-ignited gasoline engines and then compression ignition diesels have steadily developed engine-driven pumps to a place alongside electric-driven units for total reliability.

Fire protection now calls for larger pumps, higher pressures, and more varied units for a wide range of systems protecting both life and property. Hydraulically calculated and designed sprinkler and special fire protection systems have changed concepts of water supply completely.

Since the formation of this Committee, each edition of NFPA 20 has incorporated appropriate provisions to cover new developments and has omitted obsolete provisions. NFPA action on successive editions has been taken in the following years: 1907, 1910–1913, 1915, 1918–1921, 1923–1929, 1931–1933, 1937, 1939, 1943, 1944, 1946–1948, 1951, 1953, 1955, 1957, 1959–1972, 1974, 1976, 1978, 1980, 1983, 1987, 1990, 1993, 1996, 1999, 2003, and 2007.

The 1990 edition included several amendments with regard to some of the key components associated with electric-driven fire pumps. In addition, amendments were made to allow the document to conform more closely to the NFPA *Manual of Style*.

The 1993 edition included significant revisions to Chapters 6 and 7 with regard to the arrangement of the power supply to electric-driven fire pumps. These clarifications were intended to provide the necessary requirements to make the system as reliable as possible.

The 1996 edition continued the changes initiated in the 1993 edition, and Chapters 6 and 7, which addressed electric drives and controllers, underwent significant revision. New information was also added regarding engine-cooling provisions, earthquake protection, and backflow preventers. Chapter 5, which addressed provisions for high-rise buildings, was removed, as were capacity

limitations on in-line and end suction pumps. Additionally, provisions regarding suction pipe fittings were updated.

The 1999 edition of the standard included requirements for positive displacement pumps for both water mist and foam systems. The document title was revised to reflect this change, since the 1999 edition addressed requirements for pumps other than centrifugal. Enforceable language was added, particularly regarding protection of equipment.

Revisions for the 2003 edition included updating the document to conform with the latest edition of the *Manual of Style for NFPA Technical Committee Documents*. Provisions were also added to address the use of fire pump drivers using variable speed pressure limiting control. Acceptance test criteria were added to the document for replacement of critical path components of a fire pump installation.

For the 2007 edition, requirements for variable speed drives were refined, requirements for break tanks were added, and component replacement testing tables were included.

The 2010 edition included a new chapter on fire pumps for high-rise buildings. Requirements for pumps arranged in series were also added to the general requirements chapter. Chapter 11 of the standard was reorganized.

The 2013 edition clarified and added new requirements for water mist positive displacement pumping units. Chapter 5 of the standard was reorganized. Limited service controller requirements were revised, and the component replacement table was removed.

The 2016 edition of NFPA 20 provides new requirements for pumps in series relative to protection of control wiring, status signals, and communications. NFPA 20 recognizes the potential use of multistage, multiport pumps in fire suppression systems and provides requirements specific to that application. Break tank criteria have been removed and are now in accordance with NFPA 22, *Standard for Water Tanks for Private Fire Protection*. A new annex, Annex C, has been added to provide guidance on controller security where a controller is connected to the Internet. New requirements have been added to address use of an automatic fuel maintenance system with a diesel fire pump installation. In addition, protection criteria for both a diesel fire pump room and an electric fire pump room are defined in Chapter 4.

Technical Committee on Fire Pumps

Gayle Pennel, *Chair*
Aon Fire Protection Engineering, IL [I]

R. T. Leicht, *Secretary*
State of Delaware, DE [E]
Rep. International Fire Marshals Association

Michael E. Aaron, Hughes Associates/RJA Group, IL [SE]
Timothy Ballengee, Peerless Pump Company, NC [M]
James A. Beals, Jacobs Engineering, VA [SE]
Thomas R. Boccetti, The DuPont Company, Inc., DE [U]
Rep. NFPA Industrial Fire Protection Section
Marinus Both, Western States Fire Protection Company, NV [IM]
Pat D. Brock, Oklahoma State University, OK [SE]
Hugh D. Castles, Entergy Services, Inc., MS [U]
Rep. Edison Electric Institute
Stephen A. Clark, Jr., Allianz Risk Consulting, LLC, GA [I]
Mohammad Dadgardoust, Leber/Rubes Inc. (LRI), Canada [SE]
Alan A. Dorini, Gulfstream Pump & Equipment, Inc., FL [IM]
David B. Fuller, FM Global, MA [I]
Dana R. Haagensen, Framingham Fire Department, MA [E]
Bill M. Harvey, Harvey & Associates, Inc., SC [IM]
Rep. American Fire Sprinkler Association
Hatem Ezzat Kheir, Kheir Group, Egypt [IM]
John R. Kovacic, UL LLC, IL [RT]
Jennifer A. McGrath, Pentair, IL [M]

James S. Nasby, Columbia Engineering, IL [SE]
Peter Placidus Petrus, Indonesian Fire & Rescue Foundation, Indonesia [E]
Milosh T. Puchovsky, Worcester Polytechnic Institute, MA [SE]
Jeffrey R. Roberts, XL Global Asset Protection Services, MS [I]
Vincent Rodriguez, Apex Pumping Equipment, Inc., IL [M]
Rep. Illinois Fire Prevention Association
Michael A. Rothmier, UA Joint Apprenticeship Committee LU 669, TX [L]
Rep. United Assn. of Journeymen & Apprentices of the Plumbing & Pipe Fitting Industry
Richard Schneider, Joslyn Clark Controls, SC [M]
Rep. National Electrical Manufacturers Association
Darrell A. Snyder, Patterson Pump Company, GA [M]
Rep. Hydraulic Institute
Hansford Stewart, Xylem/A-C Fire Pump Systems, TX [M]
Jim Vanden Boogard, Cummins NPower, LLC, WI [M]
Terry L. Victor, Tyco/SimplexGrinnell, MD [IM]
Rep. National Fire Sprinkler Association
John Whitney, Clarke Fire Protection Products, Inc., OH [M]

Alternates

Gregory A. Bartels, Sprinkler Fitters LU 669-JATC, MD [L]
(Alt. to M. A. Rothmier)
Kerry M. Bell, UL LLC, IL [RT]
(Alt. to J. R. Kovacic)
Brian Buscher, AC Fire Pump Systems, IL [M]
(Alt. to H. Stewart)
Bradford T. Cronin, Newport Fire Department, RI [E]
(Alt. to D. R. Haagensen)
Brandon W. Frakes, XL Global Asset Protection Services, NC [I]
(Alt. to J. R. Roberts)
Leroy Franklin, Pentair, IL [M]
(Alt. to J. A. McGrath)
Louis Guerrazzi, National Fire Sprinkler Association, NY [IM]
(Alt. to T. L. Victor)
Andrew C. Higgins, Allianz Risk Consultants, LLC, NC [I]
(Alt. to S. A. Clark, Jr.)
Richard A. Holub, DuPont, DE [U]
(Alt. to T. R. Boccetti)
Steven D. Holzkopf, APEX Pumping Equipment, Inc., IL [M]
(Alt. to V. Rodriguez)
Jerald G. Huff, J&J Fire Protection Inc., FL [IM]
(Alt. to A. A. Dorini)
Kenneth E. Isman, University of Maryland, MD [SE]
(Alt. to M. T. Puchovsky)
John P. Kahren, SPP Pumps, Inc., GA [M]
(Alt. to D. A. Snyder)

Mohamed Ezzat Kheir, Kheir Group, Egypt [IM]
(Alt. to H. E. Kheir)
Michael Koska, National Fire Suppression/Western States Fire Protection Company, KS [IM]
(Alt. to M. Both)
John Laka, Cummins NPower, LLC, WI [M]
(Alt. to J. V. Boogard)
Timothy J. LaRose, Hughes Associates/RJA Group, CA [SE]
(Alt. to M. E. Aaron)
A. M. Fred Leber, LRI Fire Protection Engineering, Inc., Canada [SE]
(Alt. to M. Dadgardoust)
Floyd Luinstra, Oklahoma State University, OK [SE]
(Alt. to P. D. Brock)
Michael R. Moran, State of Delaware, DE [E]
(Alt. to R. T. Leicht)
Matthew Paine, FM Global, MA [I]
(Alt. to D. B. Fuller)
Joseph R. Sanford, Liberty Mutual Property Risk Engineering, MA [I]
(Voting Alt. to Liberty Mutual Rep.)
William F. Stelter, Master Control Systems, Inc., IL [M]
(Alt. to R. Schneider)
Thomas G. Wellen, American Fire Sprinkler Association, Inc., TX [IM]
(Alt. to B. M. Harvey)

Nonvoting

Edward D. Leedy, Naperville, IL
(Member Emeritus)

James W. Nolan, James W. Nolan Company, IL
(Member Emeritus)

Chad Duffy, NFPA Staff Liaison

This list represents the membership at the time the Committee was balloted on the final text of this edition. Since that time, changes in the membership may have occurred. A key to classifications is found at the back of the document.

NOTE: Membership on a committee shall not in and of itself constitute an endorsement of the Association or any document developed by the committee on which the member serves.

Committee Scope: This Committee shall have primary responsibility for documents on the selection and installation of stationary pumps supplying water or special additives including but not limited to foam concentrates for private fire protection, including suction piping, valves and auxiliary equipment, electric drive and control equipment, and internal combustion engine drive and control equipment.

Contents

Chapter 1 Administration	20- 7	Chapter 6 Centrifugal Pumps	20- 27
1.1 Scope.	20- 7	6.1 General.	20- 27
1.2 Purpose.	20- 7	6.2 Factory and Field Performance.	20- 27
1.3 Application.	20- 7	6.3 Fittings.	20- 27
1.4 Retroactivity.	20- 7	6.4 Foundation and Setting.	20- 27
1.5 Equivalency.	20- 7	6.5 Connection to Driver and Alignment.	20- 27
1.6 Units.	20- 7	Chapter 7 Vertical Shaft Turbine-Type Pumps	20- 27
Chapter 2 Referenced Publications	20- 8	7.1 General.	20- 27
2.1 General.	20- 8	7.2 Water Supply.	20- 27
2.2 NFPA Publications.	20- 8	7.3 Pump.	20- 29
2.3 Other Publications.	20- 8	7.4 Installation.	20- 30
2.4 References for Extracts in Mandatory Sections.	20- 9	7.5 Driver.	20- 30
Chapter 3 Definitions	20- 9	7.6 Operation and Maintenance.	20- 31
3.1 General.	20- 9	Chapter 8 Positive Displacement Pumps	20- 31
3.2 NFPA Official Definitions.	20- 9	8.1 General.	20- 31
3.3 General Definitions.	20- 9	8.2 Foam Concentrate and Additive Pumps.	20- 31
Chapter 4 General Requirements	20- 13	8.3 Water Mist System Pumps.	20- 32
4.1 Pumps.	20- 13	8.4 Water Mist Positive Displacement Pumping Units.	20- 32
4.2 Approval Required.	20- 13	8.5 Fittings.	20- 32
4.3 Pump Operation.	20- 13	8.6 Pump Drivers.	20- 33
4.4 Fire Pump Unit Performance.	20- 14	8.7 Controllers.	20- 33
4.5 Certified Shop Test.	20- 14	8.8 Foundation and Setting.	20- 33
4.6 Liquid Supplies.	20- 14	8.9 Driver Connection and Alignment.	20- 33
4.7 Pumps, Drivers, and Controllers.	20- 15	8.10 Flow Test Devices.	20- 33
4.8 Multistage Multiport Pump.	20- 15	Chapter 9 Electric Drive for Pumps	20- 33
4.9 Centrifugal Fire Pump Capacities.	20- 15	9.1 General.	20- 33
4.10 Nameplate.	20- 15	9.2 Normal Power.	20- 34
4.11 Pressure Gauges.	20- 15	9.3 Alternate Power.	20- 34
4.12 Circulation Relief Valve.	20- 16	9.4 Voltage Drop.	20- 35
4.13 Equipment Protection.	20- 16	9.5 Motors.	20- 35
4.14 Pipe and Fittings.	20- 17	9.6 On-Site Standby Generator Systems.	20- 36
4.15 Suction Pipe and Fittings.	20- 17	9.7 Junction Boxes.	20- 37
4.16 Discharge Pipe and Fittings.	20- 19	9.8 Listed Electrical Circuit Protective System to Controller Wiring.	20- 37
4.17 Valve Supervision.	20- 19	9.9 Raceway Terminations.	20- 37
4.18 Protection of Piping Against Damage Due to Movement.	20- 19	Chapter 10 Electric-Drive Controllers and Accessories ...	20- 37
4.19 Relief Valves for Centrifugal Pumps.	20- 19	10.1 General.	20- 37
4.20 Pumps Arranged in Series.	20- 20	10.2 Location.	20- 38
4.21 Water Flow Test Devices.	20- 21	10.3 Construction.	20- 38
4.22 Steam Power Supply Dependability.	20- 22	10.4 Components.	20- 38
4.23 Shop Tests.	20- 22	10.5 Starting and Control.	20- 41
4.24 Pump Shaft Rotation.	20- 22	10.6 Controllers Rated in Excess of 600 V.	20- 43
4.25 Other Signals.	20- 22	10.7 Limited Service Controllers.	20- 43
4.26 Pressure Maintenance (Jockey or Make-Up) Pumps.	20- 22	10.8 Power Transfer for Alternate Power Supply.	20- 44
4.27 Summary of Centrifugal Fire Pump Data.	20- 23	10.9 Controllers for Additive Pump Motors.	20- 45
4.28 Backflow Preventers and Check Valves.	20- 23	10.10 Controllers with Variable Speed Pressure Limiting Control or Variable Speed Suction Limiting Control.	20- 46
4.29 Earthquake Protection.	20- 24	Chapter 11 Diesel Engine Drive	20- 47
4.30 Packaged Fire Pump Assemblies.	20- 24	11.1 General.	20- 47
4.31 Pressure Actuated Controller Pressure Sensing Lines.	20- 26	11.2 Engines.	20- 47
4.32 Break Tanks.	20- 26	11.3 Pump Room.	20- 52
4.33 Field Acceptance Test of Pump Units.	20- 26	11.4 Fuel Supply and Arrangement.	20- 53
Chapter 5 Fire Pumps for High-Rise Buildings	20- 26	11.5 Engine Exhaust.	20- 54
5.1 General.	20- 26	11.6 Diesel Engine Driver System Operation.	20- 55
5.2 Equipment Access.	20- 26	Chapter 12 Engine Drive Controllers	20- 56
5.3 Water Supply Tanks.	20- 26	12.1 Application.	20- 56
5.4 Fire Pump Test Arrangement.	20- 26	12.2 Location.	20- 56
5.5 Auxiliary Power.	20- 26	12.3 Construction.	20- 56
5.6 Very Tall Buildings.	20- 26		

12.4	Components	20- 57	14.3	Record Drawings, Test Reports, Manuals, Special Tools, and Spare Parts.	20- 65
12.5	Battery Recharging.	20- 58	14.4	Periodic Inspection, Testing, and Maintenance. ..	20- 65
12.6	Battery Chargers.	20- 58	14.5	Component Replacement.	20- 65
12.7	Starting and Control.	20- 58	Annex A	Explanatory Material	20- 66
12.8	Air-Starting Engine Controllers.	20- 60	Annex B	Possible Causes of Pump Troubles	20- 112
Chapter 13	Steam Turbine Drive	20- 61	Annex C	Fire Pump Controller Connectivity	20- 115
13.1	General.	20- 61	Annex D	Informational References	20- 153
13.2	Turbine.	20- 61	Annex E	Material Extracted by NFPA 70, Article 695 .	20- 154
13.3	Installation.	20- 62	Index	20- 157
Chapter 14	Acceptance Testing, Performance, and Maintenance	20- 62			
14.1	Hydrostatic Tests and Flushing.	20- 62			
14.2	Field Acceptance Tests.	20- 62			

NFPA 20
Standard for the
**Installation of Stationary Pumps for Fire
Protection**

2016 Edition

IMPORTANT NOTE: This NFPA document is made available for use subject to important notices and legal disclaimers. These notices and disclaimers appear in all publications containing this document and may be found under the heading “Important Notices and Disclaimers Concerning NFPA Documents.” They can also be obtained on request from NFPA or viewed at www.nfpa.org/disclaimers.

UPDATES, ALERTS, AND FUTURE EDITIONS: New editions of NFPA codes, standards, recommended practices, and guides (i.e., NFPA Standards) are released on scheduled revision cycles. This edition may be superseded by a later one, or it may be amended outside of its scheduled revision cycle through the issuance of Tentative Interim Amendments (TIAs). An official NFPA Standard at any point in time consists of the current edition of the document, together with any TIAs and Errata in effect. To verify that this document is the current edition or to determine if it has been amended by any TIAs or Errata, please consult the National Fire Codes® Subscription Service or visit the Document Information (DocInfo) pages on the NFPA website at www.nfpa.org/docinfo. In addition to TIAs and Errata, the DocInfo pages also include the option to sign up for Alerts for each document and to be involved in the development of the next edition.

NOTICE: An asterisk (*) following the number or letter designating a paragraph indicates that explanatory material on the paragraph can be found in Annex A.

A reference in brackets [] following a section or paragraph indicates material that has been extracted from another NFPA document. As an aid to the user, the complete title and edition of the source documents for extracts in mandatory sections of the document are given in Chapter 2 and those for extracts in informational sections are given in Annex D. Extracted text may be edited for consistency and style and may include the revision of internal paragraph references and other references as appropriate. Requests for interpretations or revisions of extracted text shall be sent to the technical committee responsible for the source document.

Information on referenced publications can be found in Chapter 2 and Annex D.

Chapter 1 Administration

1.1* Scope.

1.1.1 This standard deals with the selection and installation of pumps supplying liquid for private fire protection.

1.1.2 The scope of this document shall include liquid supplies; suction, discharge, and auxiliary equipment; power supplies, including power supply arrangements; electric drive and control; diesel engine drive and control; steam turbine drive and control; and acceptance tests and operation.

1.1.3 This standard does not cover system liquid supply capacity and pressure requirements, nor does it cover require-

ments for periodic inspection, testing, and maintenance of fire pump systems.

1.1.4 This standard does not cover the requirements for installation wiring of fire pump units.

1.2 Purpose. The purpose of this standard is to provide a reasonable degree of protection for life and property from fire through installation requirements for stationary pumps for fire protection based upon sound engineering principles, test data, and field experience.

1.3 Application.

1.3.1 This standard shall apply to centrifugal single-stage and multistage pumps of the horizontal or vertical shaft design and positive displacement pumps of the horizontal or vertical shaft design.

1.3.2 Requirements are established for the design and installation of single-stage and multistage pumps, pump drivers, and associated equipment.

1.4 Retroactivity. The provisions of this standard reflect a consensus of what is necessary to provide an acceptable degree of protection from the hazards addressed in this standard at the time the standard was issued.

1.4.1 Unless otherwise specified, the provisions of this standard shall not apply to facilities, equipment, structures, or installations that existed or were approved for construction or installation prior to the effective date of the standard. Where specified, the provisions of this standard shall be retroactive.

1.4.2 In those cases where the authority having jurisdiction determines that the existing situation presents an unacceptable degree of risk, the authority having jurisdiction shall be permitted to apply retroactively any portions of this standard deemed appropriate.

1.4.3 The retroactive requirements of this standard shall be permitted to be modified if their application clearly would be impractical in the judgment of the authority having jurisdiction, and only where it is clearly evident that a reasonable degree of safety is provided.

1.5 Equivalency. Nothing in this standard is intended to prevent the use of systems, methods, or devices of equivalent or superior quality, strength, fire resistance, effectiveness, durability, and safety over those prescribed by this standard.

1.5.1 Technical documentation shall be submitted to the authority having jurisdiction to demonstrate equivalency.

1.5.2 The system, method, or device shall be approved for the intended purpose by the authority having jurisdiction.

1.6 Units.

1.6.1 Metric units of measurement in this standard are in accordance with the modernized metric system known as the International System of Units (SI).

1.6.2 Liter and bar in this standard are outside of but recognized by SI.

1.6.3 Units are listed in Table 1.6.3 with conversion factors.

1.6.4 Conversion. The conversion procedure is to multiply the quantity by the conversion factor and then round the result to an appropriate number of significant digits.

Table 1.6.3 System of Units

Name of Unit	Unit Abbreviation	Conversion Factor
Meter(s)	m	1 ft = 0.3048 m
Foot (feet)	ft	1 m = 3.281 ft
Millimeter(s)	mm	1 in. = 25.4 mm
Inch(es)	in.	1 mm = 0.03937 in.
Liter(s)	L	1 gal = 3.785 L
Gallon(s) (U.S.)	gal	1 L = 0.2642 gal
Cubic decimeter(s)	dm ³	1 gal = 3.785 dm ³
Cubic meter(s)	m ³	1 ft ³ = 0.0283 m ³
Cubic foot (feet)	ft ³	1 m ³ = 35.31 ft ³
Pascal(s)	Pa	1 psi = 6894.757 Pa; 1 bar = 10 ⁵ Pa
Pound(s) per square inch	psi	1 Pa = 0.000145 psi; 1 bar = 14.5 psi
Bar	bar	1 Pa = 10 ⁻⁵ bar; 1 psi = 0.0689 bar

Note: For additional conversions and information, see IEEE/ASTM SI10, *Standard for Use of the International System of Units (SI): The Modern Metric System*.

1.6.5 Trade Sizes. Where industry utilizes nominal dimensions to represent materials, products, or performance, direct conversions have not been utilized and appropriate trade sizes have been included.

Chapter 2 Referenced Publications

2.1 General. The documents or portions thereof listed in this chapter are referenced within this standard and shall be considered part of the requirements of this document.

2.2 NFPA Publications. National Fire Protection Association, 1 Batterymarch Park, Quincy, MA 02169-7471.

NFPA 13, *Standard for the Installation of Sprinkler Systems*, 2016 edition.

NFPA 22, *Standard for Water Tanks for Private Fire Protection*, 2013 edition.

NFPA 24, *Standard for the Installation of Private Fire Service Mains and Their Appurtenances*, 2016 edition.

NFPA 25, *Standard for the Inspection, Testing, and Maintenance of Water-Based Fire Protection Systems*, 2014 edition.

NFPA 37, *Standard for the Installation and Use of Stationary Combustion Engines and Gas Turbines*, 2014 edition.

NFPA 51B, *Standard for Fire Prevention During Welding, Cutting, and Other Hot Work*, 2014 edition.

NFPA 70®, *National Electrical Code*®, 2014 edition.

NFPA 70E®, *Standard for Electrical Safety in the Workplace*®, 2015 edition.

NFPA 72®, *National Fire Alarm and Signaling Code*, 2016 edition.

NFPA 110, *Standard for Emergency and Standby Power Systems*, 2016 edition.

NFPA 1963, *Standard for Fire Hose Connections*, 2014 edition.

2.3 Other Publications.

2.3.1 AGMA Publications. American Gear Manufacturers Association, 1001 N. Fairfax Street, 5th Floor, Alexandria, VA 22314-1560.

AGMA 2011, *Cylindrical Wormgearing Tolerance and Inspection Methods*, 2004.

2.3.2 ANSI Publications. American National Standards Institute, Inc., 25 West 43rd Street, 4th Floor, New York, NY 10036.

ANSI B11.19, *Performance Requirements for Safeguarding*, 2010.

2.3.3 ASCE Publications. American Society of Civil Engineers, 1801 Alexander Bell Drive, Reston, VA 20191-4400.

SEI/ASCE 7, *Minimum Design Loads for Buildings and Other Structures*, 2010.

2.3.4 ASME Publications. American Society of Mechanical Engineers, Two Park Avenue, New York, NY 10016-5990.

Boiler and Pressure Vessel Code, 2013.

2.3.5 AWS Publications. American Welding Society, 8669 NW 36 Street, Suite 130, Doral, FL 33166.

AWS D1.1, *Structural Welding Code — Steel*, 2010.

2.3.6 HI Publications. Hydraulic Institute, 6 Campus Drive, First Floor North, Parsippany, NJ 07054-4406.

Hydraulic Institute Standards for Centrifugal, Rotary, and Reciprocating Pumps, 14th edition, 1983.

HI 3.6, *Rotary Pump Tests*, 2010.

2.3.7 IEEE Publications. IEEE, Three Park Avenue, 17th Floor, New York, NY 10016-5997.

IEEE/ASTM SI10, *Standard for Use of the International System of Units (SI): The Modern Metric System*, 2010.

ANSI/IEEE 62.1, *IEEE Standard for Gapped Silicon-Carbide Surge Arresters for AC Power Circuits*, 1989.

ANSI/IEEE C62.11, *IEEE Standard for Metal-Oxide Surge Arresters for Alternating Current Power Circuits (>1 kV)*, 2012.

ANSI/IEEE C62.41, *Recommended Practice for Surge Voltages in Low-Voltage AC Power Circuits*, 1991.

ANSI/IEEE C62.41.2, *IEEE Recommended Practice on Characterization of Surges in Low-Voltage (1000 V and Less) AC Power Circuits*, 2002.

2.3.8 ISO Publications. International Organization for Standardization, Chemin de Blandonnet 8, CP 401, 1214 Vernier, Geneva, Switzerland.

ISO 15540, *Fire Resistance of Hose Assemblies*, 1999.

2.3.9 NEMA Publications. National Electrical Manufacturers Association, 1300 North 17th Street, Suite 900, Arlington, VA 22209.

NEMA MG-1, *Motors and Generators*, 2011.

2.3.10 UL Publications. Underwriters Laboratories Inc., 333 Pfingsten Road, Northbrook, IL 60062-2096.

ANSI/UL 142, *Standard for Steel Aboveground Tanks for Flammable and Combustible Liquids*, 2013.

ANSI/UL 508, *Standard for Industrial Control Equipment*, 2013.

ANSI/UL 1449, *Standard for Surge Protective Devices*, 2013.

2.3.11 Other Publications.

Merriam-Webster's Collegiate Dictionary, 11th edition, Merriam-Webster, Inc., Springfield, MA, 2003.

2.4 References for Extracts in Mandatory Sections.

NFPA 14, *Standard for the Installation of Standpipe and Hose Systems*, 2013 edition.

NFPA 37, *Standard for the Installation and Use of Stationary Combustion Engines and Gas Turbines*, 2014 edition.

NFPA 70®, *National Electrical Code*®, 2014 edition.

NFPA 110, *Standard for Emergency and Standby Power Systems*, 2016 edition.

NFPA 1451, *Standard for a Fire Service Vehicle Operations Training Program*, 2013 edition.

NFPA 5000®, *Building Construction and Safety Code*®, 2015 edition.

Chapter 3 Definitions

3.1 General. The definitions contained in this chapter shall apply to the terms used in this standard. Where terms are not defined in this chapter or within another chapter, they shall be defined using their ordinarily accepted meanings within the context in which they are used. *Merriam-Webster's Collegiate Dictionary*, 11th edition, shall be the source for the ordinarily accepted meaning.

3.2 NFPA Official Definitions.

3.2.1* Approved. Acceptable to the authority having jurisdiction.

3.2.2* Authority Having Jurisdiction (AHJ). An organization, office, or individual responsible for enforcing the requirements of a code or standard, or for approving equipment, materials, an installation, or a procedure.

3.2.3* Listed. Equipment, materials, or services included in a list published by an organization that is acceptable to the authority having jurisdiction and concerned with evaluation of products or services, that maintains periodic inspection of production of listed equipment or materials or periodic evaluation of services, and whose listing states that either the equipment, material, or service meets appropriate designated standards or has been tested and found suitable for a specified purpose.

3.2.4 Shall. Indicates a mandatory requirement.

3.2.5 Should. Indicates a recommendation or that which is advised but not required.

3.2.6 Standard. An NFPA Standard, the main text of which contains only mandatory provisions using the word “shall” to indicate requirements and that is in a form generally suitable for mandatory reference by another standard or code or for adoption into law. Nonmandatory provisions are not to be considered a part of the requirements of a standard and shall be located in an appendix, annex, footnote, informational note, or other means as permitted in the NFPA Manuals of Style. When used in a generic sense, such as in the phrase “standards development process” or “standards development

activities,” the term “standards” includes all NFPA Standards, including Codes, Standards, Recommended Practices, and Guides.

3.3 General Definitions.

3.3.1 Additive. A liquid such as foam concentrates, emulsifiers, and hazardous vapor suppression liquids and foaming agents intended to be injected into the water stream at or above the water pressure.

3.3.2 Aquifer. An underground formation that contains sufficient saturated permeable material to yield significant quantities of water.

3.3.3 Aquifer Performance Analysis. A test designed to determine the amount of underground water available in a given field and proper well spacing to avoid interference in that field. Basically, test results provide information concerning transmissibility and storage coefficient (available volume of water) of the aquifer.

3.3.4 Automatic Transfer Switch. See 3.3.60.2.1.

3.3.5 Branch Circuit. See 3.3.8.1.

3.3.6 Break Tank. A tank providing suction to a fire pump whose capacity is less than the fire protection demand (flow rate times flow duration).

3.3.7 Churn. See 3.3.38, No Flow (Churn, Shutoff).

3.3.8 Circuit.

3.3.8.1 Branch Circuit. The circuit conductors between the final overcurrent device protecting the circuit and the outlet(s). [70: Art. 100]

3.3.8.2 Fault Tolerant External Control Circuit. Those control circuits either entering or leaving the fire pump controller enclosure, which if broken, disconnected, or shorted will not prevent the controller from starting the fire pump from all other internal or external means and can cause the controller to start the pump under these conditions.

3.3.9 Circulation Relief Valve. See 3.3.67.5.1.

3.3.10 Corrosion-Resistant Material. Materials such as brass, copper, Monel®, stainless steel, or other equivalent corrosion-resistant materials.

3.3.11 Diesel Engine. See 3.3.15.1.

3.3.12 Discharge Pressure. See 3.3.42.1.

3.3.13 Disconnecting Means. A device, or group of devices, or other means by which the conductors of a circuit can be disconnected from their source of supply. [70: Art. 100]

3.3.14 Drawdown. The vertical difference between the pumping water level and the static water level.

3.3.15 Engine.

3.3.15.1* Diesel Engine. An internal combustion engine in which the fuel is ignited entirely by the heat resulting from the compression of the air supplied for combustion.

3.3.15.1.1 Internal Combustion Engine. Any engine in which the working medium consists of the products of combustion of the air and fuel supplied.

3.3.16 Fault Tolerant External Control Circuit. See 3.3.8.2.

3.3.17 Feeder. All circuit conductors between the service equipment, the source of a separately derived system, or other power supply source and the final branch-circuit overcurrent device. [70: Art. 100]

3.3.18 Fire Pump Alarm. A supervisory signal indicating an abnormal condition requiring immediate attention.

3.3.19 Fire Pump Controller. A group of devices that serve to govern, in some predetermined manner, the starting and stopping of the fire pump driver and to monitor and signal the status and condition of the fire pump unit.

3.3.20 Fire Pump Unit. An assembled unit consisting of a fire pump, driver, controller, and accessories.

3.3.21 Flexible Connecting Shaft. A device that incorporates two flexible joints and a telescoping element.

3.3.22 Flexible Coupling. A device used to connect the shafts or other torque-transmitting components from a driver to the pump, and that permits minor angular and parallel misalignment as restricted by both the pump and coupling manufacturers.

3.3.23 Flooded Suction. The condition where water flows from an atmospheric vented source to the pump without the average pressure at the pump inlet flange dropping below atmospheric pressure with the pump operating at 150 percent of its rated capacity.

3.3.24 Groundwater. That water that is available from a well, driven into water-bearing subsurface strata (aquifer).

3.3.25* Head. A quantity used to express a form (or combination of forms) of the energy content of water per unit weight of the water referred to any arbitrary datum.

3.3.25.1 Net Positive Suction Head (NPSH) (h_w). The total suction head in feet (meters) of liquid absolute, determined at the suction nozzle, and referred to datum, less the vapor pressure of the liquid in feet (meters) absolute.

3.3.25.2 Total Discharge Head (h_d). The reading of a pressure gauge at the discharge of the pump, converted to feet (meters) of liquid, and referred to datum, plus the velocity head at the point of gauge attachment.

3.3.25.3 Total Head.

3.3.25.3.1* Total Head (H), Horizontal Pumps. The measure of the work increase, per pound (kilogram) of liquid, imparted to the liquid by the pump, and therefore the algebraic difference between the total discharge head and the total suction head. Total head, as determined on test where suction lift exists, is the sum of the total discharge head and total suction lift. Where positive suction head exists, the total head is the total discharge head minus the total suction head.

3.3.25.3.2* Total Head (H), Vertical Turbine Pumps. The distance from the pumping liquid level to the center of the discharge gauge plus the total discharge head.

3.3.25.4 Total Rated Head. The total head developed at rated capacity and rated speed for a centrifugal pump.

3.3.25.5 Total Suction Head. Suction head exists where the total suction head is above atmospheric pressure. Total suction head, as determined on test, is the reading of a

gauge at the suction of the pump, converted to feet (meters) of liquid, and referred to datum, plus the velocity head at the point of gauge attachment.

3.3.25.6* Velocity Head (h_v). The kinetic energy of a unit weight of fluid moving with velocity (v) determined at the point of the gauge connection.

3.3.26 High-Rise Building. A building where the floor of an occupiable story is greater than 75 ft (23 m) above the lowest level of fire department vehicle access. [5000, 2015]

3.3.27 In Sight From (Within Sight From, Within Sight). Where this Code specifies that one equipment shall be “in sight from,” “within sight from,” or “within sight of,” and so forth, another equipment, the specified equipment is to be visible and not more than 15 m (50 ft) distant from the other. [70: Art. 100]

3.3.28 Internal Combustion Engine. See 3.3.15.1.1.

3.3.29 Isolating Switch. See 3.3.60.1.

3.3.30 Liquid. For the purposes of this standard, liquid refers to water, foam-water solution, foam concentrates, water additives, or other liquids for fire protection purposes.

3.3.31 Liquid Level.

3.3.31.1 Pumping Liquid Level. The level, with respect to the pump, of the body of liquid from which it takes suction when the pump is in operation. Measurements are made the same as with the static liquid level.

3.3.31.2 Static Liquid Level. The level, with respect to the pump, of the body of liquid from which it takes suction when the pump is not in operation. For vertical shaft turbine-type pumps, the distance to the liquid level is measured vertically from the horizontal centerline of the discharge head or tee.

3.3.32 Loss of Phase. The loss of one or more, but not all, phases of the polyphase power source.

3.3.33 Manual Transfer Switch. See 3.3.60.2.2.

3.3.34 Maximum Pump Brake Horsepower. The maximum brake horsepower required to drive the pump at rated speed. The pump manufacturer determines this by shop test under expected suction and discharge conditions. Actual field conditions can vary from shop conditions.

3.3.35 Motor.

3.3.35.1 Drip-proof Guarded Motor. A drip-proof machine whose ventilating openings are guarded in accordance with the definition for drip-proof motor.

3.3.35.2 Drip-proof Motor. An open motor in which the ventilating openings are so constructed that successful operation is not interfered with when drops of liquid or solid particles strike or enter the enclosure at any angle from 0 to 15 degrees downward from the vertical.

3.3.35.3 Dust-Ignition-Proof Motor. A totally enclosed motor whose enclosure is designed and constructed in a manner that will exclude ignitable amounts of dust or amounts that might affect performance or rating and that will not permit arcs, sparks, or heat otherwise generated or liberated inside of the enclosure to cause ignition of exterior accumulations

or atmospheric suspensions of a specific dust on or in the vicinity of the enclosure.

3.3.35.4 Electric Motor. A motor that is classified according to mechanical protection and methods of cooling.

3.3.35.5 Explosionproof Motor. A totally enclosed motor whose enclosure is designed and constructed to withstand an explosion of a specified gas or vapor that could occur within it and to prevent the ignition of the specified gas or vapor surrounding the motor by sparks, flashes, or explosions of the specified gas or vapor that could occur within the motor casing.

3.3.35.6 Guarded Motor. An open motor in which all openings giving direct access to live metal or rotating parts (except smooth rotating surfaces) are limited in size by the structural parts or by screens, baffles, grilles, expanded metal, or other means to prevent accidental contact with hazardous parts. Openings giving direct access to such live or rotating parts shall not permit the passage of a cylindrical rod 0.75 in. (19 mm) in diameter.

3.3.35.7 Open Motor. A motor having ventilating openings that permit passage of external cooling air over and around the windings of the motor. Where applied to large apparatus without qualification, the term designates a motor having no restriction to ventilation other than that necessitated by mechanical construction.

3.3.35.8 Totally Enclosed Fan-Cooled Motor. A totally enclosed motor equipped for exterior cooling by means of a fan or fans integral with the motor but external to the enclosing parts.

3.3.35.9 Totally Enclosed Motor. A motor enclosed so as to prevent the free exchange of air between the inside and the outside of the case but not sufficiently enclosed to be termed airtight.

3.3.35.10 Totally Enclosed Nonventilated Motor. A totally enclosed motor that is not equipped for cooling by means external to the enclosing parts.

3.3.36 Net Positive Suction Head (NPSH) (h_{sn}). See 3.3.25.1.

3.3.37 Net Pressure (Differential Pressure). See 3.3.42.2.

3.3.38* No Flow (Churn, Shutoff). The condition of zero flow when the fire pump is running but the only water passing through the pump is a small flow that is discharged through the pump circulation relief valve or supplies the cooling for a diesel engine driver.

3.3.39 On-Site Power Production Facility. The normal supply of electric power for the site that is expected to be constantly producing power.

3.3.40* On-Site Standby Generator. A facility producing electric power on site as the alternate supply of electrical power. It differs from an on-site power production facility, in that it is not constantly producing power. [70:695.2]

3.3.41* Peak Load. As it pertains to acceptance testing in this standard, the maximum power required to drive the pump at any flow rate up to 150 percent of rated capacity (flow).

3.3.42 Pressure.

3.3.42.1 Discharge Pressure. The total pressure available at the fire pump discharge flange.

3.3.42.2* Net Pressure (Differential Pressure). For vertical turbine fire pumps, the total pressure at the fire pump discharge flange plus the total suction lift. For other fire pumps, the total pressure at the fire pump discharge flange minus the total pressure at the fire pump suction flange.

3.3.42.3 Rated Pressure. The net pressure (differential pressure) at rated flow and rated speed as marked on the manufacturer's nameplate.

3.3.42.4 Suction Pressure. The total pressure available at the fire pump suction flange.

3.3.43 Pressure-Regulating Device. A device designed for the purpose of reducing, regulating, controlling, or restricting water pressure. [14, 2013]

3.3.44 Pump.

3.3.44.1 Additive Pump. A pump that is used to inject additives into the water stream.

3.3.44.2 Can Pump. A vertical shaft turbine-type pump in a can (suction vessel) for installation in a pipeline to raise water pressure.

3.3.44.3 Centrifugal Pump. A pump in which the pressure is developed principally by the action of centrifugal force.

3.3.44.4 End Suction Pump. A single suction pump having its suction nozzle on the opposite side of the casing from the stuffing box and having the face of the suction nozzle perpendicular to the longitudinal axis of the shaft.

3.3.44.5 Fire Pump. A pump that is a provider of liquid flow and pressure dedicated to fire protection.

3.3.44.6 Foam Concentrate Pump. See 3.3.44.1, Additive Pump.

3.3.44.7 Gear Pump. A positive displacement pump characterized by the use of gear teeth and casing to displace liquid.

3.3.44.8 Horizontal Pump. A pump with the shaft normally in a horizontal position.

3.3.44.9 Horizontal Split-Case Pump. A centrifugal pump characterized by a housing that is split parallel to the shaft.

3.3.44.10 In-Line Pump. A centrifugal pump whose drive unit is supported by the pump having its suction and discharge flanges on approximately the same centerline.

3.3.44.11* Multistage Multiport Pump. A single-driver pump with multiple impellers operating in series where the discharge from each impeller, except the last impeller, is the suction for the next impeller, and discharge ports are provided after multiple impellers.

3.3.44.12 Packaged Fire Pump Assembly. Fire pump unit components assembled at a packaging facility and shipped as a unit to the installation site. The scope of listed components (where required to be listed by this standard) in a pre-assembled package includes the pump, driver, controller, and other accessories identified by the packager assembled onto a base with or without an enclosure.

3.3.44.13 Piston Plunger Pump. A positive displacement pump characterized by the use of a piston or plunger and a cylinder to displace liquid.

3.3.44.14 Positive Displacement Pump. A pump that is characterized by a method of producing flow by capturing a specific volume of fluid per pump revolution and reducing the fluid void by a mechanical means to displace the pumping fluid.

3.3.44.15 Pressure Maintenance (Jockey or Make-Up) Pump. A pump designed to maintain the pressure on the fire protection system(s) between preset limits when the system is not flowing water.

3.3.44.16 Rotary Lobe Pump. A positive displacement pump characterized by the use of a rotor lobe to carry fluid between the lobe void and the pump casing from the inlet to the outlet.

3.3.44.17 Rotary Vane Pump. A positive displacement pump characterized by the use of a single rotor with vanes that move with pump rotation to create a void and displace liquid.

3.3.44.18 Vertical Lineshaft Turbine Pump. A vertical shaft centrifugal pump with rotating impeller or impellers and with discharge from the pumping element coaxial with the shaft. The pumping element is suspended by the conductor system, which encloses a system of vertical shafting used to transmit power to the impellers, the prime mover being external to the flow stream.

3.3.44.19* Water Mist Positive Displacement Pumping Unit. Multiple positive displacement pumps designed to operate in parallel that discharges into a single common water mist distribution system.

3.3.45 Pumping Liquid Level. See 3.3.31.1.

3.3.46 Qualified Person. A person who, by possession of a recognized degree, certificate, professional standing, or skill, and who, by knowledge, training, and experience, has demonstrated the ability to deal with problems related to the subject matter, the work, or the project. [1451, 2013]

3.3.47 Rated Flow. The capacity of the pump at rated speed and rated pressure as marked on the manufacturer's nameplate.

3.3.48 Rated Pressure. See 3.3.42.3.

3.3.49 Record Drawing (As-Built). A design, working drawing, or as-built drawing that is submitted as the final record of documentation for the project.

3.3.50* Series Fire Pump Unit. All fire pump units located within the same building that operate in a series arrangement where the first fire pump takes suction directly from a water supply and each sequential pump takes suction under pump pressure from the preceding pump. Two pumps that operate in series through a tank(s) or break tank(s) are not considered part of a series fire pump unit.

3.3.51* Service. The conductors and equipment for delivering electric energy from the serving utility to the wiring system of the premises served. [70: Art. 100]

3.3.52* Service Equipment. The necessary equipment, usually consisting of a circuit breaker(s) or switch(es) and fuse(s) and their accessories, connected to the load end of service conductors to a building or other structure, or an otherwise designated area, and intended to constitute the main control and cutoff of the supply. [70: Art. 100]

3.3.53 Service Factor. A multiplier of an ac motor that, when applied to the rated horsepower, indicates a permissible horsepower loading that can be carried at the rated voltage, frequency, and temperature. For example, the multiplier 1.15 indicates that the motor is permitted to be overloaded to 1.15 times the rated horsepower.

3.3.54 Set Pressure. As applied to variable speed pressure limiting control systems, the pressure that the variable speed pressure limiting control system is set to maintain.

3.3.55 Shutoff (No Flow, Churn). See 3.3.38, No Flow (Churn, Shutoff).

3.3.56* Signal. An indicator of status.

3.3.57 Speed.

3.3.57.1 Engine Speed. The speed indicated on the engine nameplate.

3.3.57.2 Motor Speed. The speed indicated on the motor nameplate.

3.3.57.3 Rated Speed. The speed for which the fire pump is listed and that appears on the fire pump nameplate.

3.3.58 Static Liquid Level. See 3.3.31.2.

3.3.59 Suction Pressure. See 3.3.42.4.

3.3.60 Switch.

3.3.60.1 Isolating Switch. A switch intended for isolating an electric circuit from its source of power. It has no interrupting rating, and it is intended to be operated only after the circuit has been opened by some other means.

3.3.60.2 Transfer Switch.

3.3.60.2.1 Automatic Transfer Switch (ATS). Self-acting equipment for transferring the connected load from one power source to another power source. [110, 2016]

3.3.60.2.2 Manual Transfer Switch. A switch operated by direct manpower for transferring one or more load conductor connections from one power source to another.

3.3.61 Total Discharge Head (h_d). See 3.3.25.2.

3.3.62 Total Head (H), Horizontal Pumps. See 3.3.25.3.1.

3.3.63 Total Head (H), Vertical Turbine Pumps. See 3.3.25.3.2.

3.3.64 Total Rated Head. See 3.3.25.4.

3.3.65 Total Suction Head (h_s). See 3.3.25.5.

3.3.66 Total Suction Lift (h_l). Suction lift that exists where the total suction head is below atmospheric pressure. Total suction lift, as determined on test, is the reading of a liquid manometer at the suction nozzle of the pump, converted to feet (meters) of liquid, and referred to datum, minus the velocity head at the point of gauge attachment.

3.3.67 Valve.

3.3.67.1 Dump Valve. An automatic valve installed on the discharge side of a positive displacement pump to relieve pressure prior to the pump driver reaching operating speed.

3.3.67.2 Suction Pressure Regulating Valve. A pilot-operated valve installed in discharge piping that maintains positive

pressure in the suction piping, while monitoring pressure in the suction piping through a sensing line.

3.3.67.3 Pressure Control Valve. A pilot-operated pressure-reducing valve designed for the purpose of reducing the downstream water pressure to a specific value under both flowing (residual) and nonflowing (static) conditions. [14, 2013]

3.3.67.4 Pressure-Reducing Valve. A valve designed for the purpose of reducing the downstream water pressure under both flowing (residual) and nonflowing (static) conditions. [14, 2013]

3.3.67.5 Relief Valve. A device that allows the diversion of liquid to limit excess pressure in a system.

3.3.67.5.1 Circulation Relief Valve. A valve used to cool a pump by discharging a small quantity of water. This valve is separate from and independent of the main relief valve.

3.3.67.6 Unloader Valve. A valve that is designed to relieve excess flow below pump capacity at set pump pressure.

3.3.68 Variable Speed Pressure Limiting Control. A speed control system used to limit the total discharge pressure by reducing the pump driver speed from rated speed.

3.3.69 Variable Speed Suction Limiting Control. A speed control system used to maintain a minimum positive suction pressure at the pump inlet by reducing the pump driver speed while monitoring pressure in the suction piping through a sensing line.

3.3.70 Velocity Head (h_v). See 3.3.25.6.

3.3.71 Wet Pit. A timber, concrete, or masonry enclosure having a screened inlet kept partially filled with water by an open body of water such as a pond, lake, or stream.

Chapter 4 General Requirements

4.1 Pumps. This standard shall apply to centrifugal single-stage and multistage pumps of the horizontal or vertical shaft design and positive displacement pumps of the horizontal or vertical shaft design.

4.2* Approval Required.

4.2.1 Stationary pumps shall be selected based on the conditions under which they are to be installed and used.

4.2.2 The pump manufacturer or its authorized representative shall be given complete information concerning the liquid and power supply characteristics.

4.2.3 A complete plan and detailed data describing pump, driver, controller, power supply, fittings, suction and discharge connections, and liquid supply conditions shall be prepared for approval.

4.2.3.1 Plans shall be drawn to an indicated scale, on sheets of uniform size, and shall indicate, as a minimum, the items from the following list that pertain to the design of the system:

- (1) Name(s) of owner and occupant
- (2) Location, including street address
- (3) Point of compass
- (4) Name and address of installing contractor
- (5) Pump make and model number

- (6) Pump rating _____ gpm @ _____ psi _____ rpm
- (7) Suction main size, length, location, type and class/schedule of material, and point of connection to water supply, as well as depth to top of pipe below grade
- (8) Water storage tank, if applicable
- (9) Size and type of valves, regulators, meters, and valve pits, if applicable
- (10) Water supply information including the following flow test information, if applicable:
 - (a) Location and elevation of static and residual test gauge with relation to the elevation reference point
 - (b) Flow location
 - (c) Static pressure, psi (bar)
 - (d) Residual pressure, psi (bar)
 - (e) Flow, gpm (L/min)
 - (f) Date
 - (g) Time
 - (h) Name of person who conducted the test or supplied the information
 - (i) Other sources of water supply, with pressure or elevation
- (11) Other sources of water supply, with pressure or elevation
- (12) Pump driver details including manufacturer and horsepower
- (13) Voltage for electric motor-driven pumps
- (14) Fuel system details for diesel-driven pumps
- (15) Controller manufacturer, type, and rating
- (16) Suction and discharge pipe, fitting, and valve types
- (17) Test connection piping and valves
- (18) Flow meter details, if applicable
- (19) Pressure maintenance pump and controller arrangement including sensing line details, if applicable

4.2.4 Each pump, driver, controlling equipment, power supply and arrangement, and liquid supply shall be approved by the authority having jurisdiction for the specific field conditions encountered.

4.3 Pump Operation.

4.3.1 In the event of fire pump operation, qualified personnel shall respond to the fire pump location to determine that the fire pump is operating in a satisfactory manner.

4.3.2 System Designer.

4.3.2.1 The system designer shall be identified on the system design documents.

4.3.2.2 Acceptable minimum evidence of qualifications or certification shall be provided when requested by the authority having jurisdiction.

4.3.2.3 Qualified personnel shall include, but not be limited to, one or more of the following:

- (1) Personnel who are factory trained and certified for fire pump system design of the specific type and brand of system being designed
- (2)* Personnel who are certified by a nationally recognized fire protection certification organization acceptable to the authority having jurisdiction
- (3) Personnel who are registered, licensed, or certified by a state or local authority

4.3.2.4 Additional evidence of qualification or certification shall be permitted to be required by the AHJ.

4.3.3 System Installer.

4.3.3.1 Installation personnel shall be qualified or shall be supervised by persons who are qualified in the installation, inspection, and testing of fire protection systems.

4.3.3.2 Minimum evidence of qualifications or certification shall be provided when requested by the authority having jurisdiction.

4.3.3.3 Qualified personnel shall include, but not be limited to, one or more of the following:

- (1) Personnel who are factory trained and certified for fire pump system installation of the specific type and brand of system being designed
- (2)* Personnel who are certified by a nationally recognized fire protection certification organization acceptable to the authority having jurisdiction
- (3) Personnel who are registered, licensed, or certified by a state or local authority

4.3.3.4 Additional evidence of qualification or certification shall be permitted to be required by the AHJ.

4.3.4* Service Personnel Qualifications and Experience.

4.3.4.1 Service personnel shall be qualified and experienced in the inspection, testing, and maintenance of fire protection systems.

4.3.4.2 Qualified personnel shall include, but not be limited to, one or more of the following:

- (1) Personnel who are factory trained and certified for fire pump system servicing of the specific type and brand of system being designed
- (2)* Personnel who are certified by a nationally recognized fire protection certification organization acceptable to the authority having jurisdiction
- (3) Personnel who are registered, licensed, or certified by a state or local authority
- (4) Personnel who are employed and qualified by an organization listed by a nationally recognized testing laboratory for the servicing of fire protection systems

4.3.4.3 Additional evidence of qualification or certification shall be permitted to be required by the AHJ.

4.4 Fire Pump Unit Performance.

4.4.1* The fire pump unit, consisting of a pump, driver, and controller, shall perform in compliance with this standard as an entire unit when installed or when components have been replaced.

4.4.2 The complete fire pump unit shall be field acceptance tested for proper performance in accordance with the provisions of this standard. (*See Section 14.2.*)

4.5 Certified Shop Test.

4.5.1 Certified shop test curves showing head capacity and brake horsepower of the pump shall be furnished by the manufacturer to the purchaser.

4.5.1.1 For water mist positive displacement pumping units, certified shop test data, including flow, pressure, and horsepower, shall be provided for each independent pump.

4.5.1.2 For a multistage multipoint pump, certified shop test data that include flow, pressure, and horsepower shall be provided for each outlet.

4.5.1.3 For water mist positive displacement pumping units, certified shop test data, including flow, pressure, and horsepower, shall also be provided for the fire pump unit with variable speed features deactivated.

4.5.1.3.1 The certified fire pump unit shop test data shall be developed by activating the individual fire pumps in the same operating sequence that the controller will utilize.

4.5.1.4 For water mist positive displacement pumping units with variable speed features, certified shop test data, including flow, pressure, and horsepower, shall also be provided for the fire pump unit with variable speed features activated.

4.5.1.4.1 The certified fire pump unit shop test data shall be developed by activating the individual fire pumps in the same operating sequence that the controller will utilize.

4.5.2 The purchaser shall furnish the data required in 4.5.1 to the authority having jurisdiction.

4.6 Liquid Supplies.

4.6.1* Reliability.

4.6.1.1 The adequacy and dependability of the water source are of primary importance and shall be fully determined, with due allowance for its reliability in the future.

4.6.1.2 Where a water flow test is used to determine the adequacy of the attached water supply, the test shall have been completed not more than 12 months prior to the submission of working plans, unless otherwise permitted by the authority having jurisdiction.

4.6.2* Sources.

4.6.2.1 Any source of water that is adequate in quality, quantity, and pressure shall be permitted to provide the supply for a fire pump.

4.6.2.2 Where the water supply from a public service main is not adequate in quality, quantity, or pressure, an alternative water source shall be provided.

4.6.2.3 The adequacy of the water supply shall be determined and evaluated prior to the specification and installation of the fire pump.

4.6.2.3.1 Where the maximum flow available from the water supply cannot provide a flow of 150 percent of the rated flow of the pump, but the water supply can provide the greater of 100 percent of rated flow or the maximum flow demand of the fire protection system(s), the water supply shall be deemed to be adequate. In this case, the maximum flow shall be considered the highest flow that the water supply can achieve.

4.6.2.3.2 Where the water supply cannot provide 150 percent of the rated flow of the pump, a placard shall be placed in the pump room indicating the minimum suction pressure that the fire pump is allowed to be tested at and also indicating the required flow rate.

4.6.2.4 For liquids other than water, the liquid source for the pump shall be adequate to supply the maximum required flow rate for any simultaneous demands for the required duration and the required number of discharges.

4.6.3 Level. The minimum water level of a well or wet pit shall be determined by pumping at not less than 150 percent of the fire pump rated capacity.

4.6.4* Stored Supply.

4.6.4.1 A stored supply plus reliable automatic refill shall be sufficient to meet the demand placed upon it for the design duration.

4.6.4.2 A reliable method of replenishing the supply shall be provided.

4.6.5 Head.

4.6.5.1 Except as provided in 4.6.5.2, the head available from a water supply shall be figured on the basis of a flow of 150 percent of rated capacity of the fire pump.

4.6.5.2 Where the water supply cannot provide a flow of 150 percent of the rated flow of the pump but the water supply can provide the greater of 100 percent of the rated flow or the flow demand of the fire protection system(s), the head available from the water supply shall be permitted to be calculated on the basis of the maximum flow available as allowed by 4.6.2.3.1.

4.6.5.3 The head described in 4.6.5.1 and 4.6.5.2 shall be as indicated by a flow test.

4.7 Pumps, Drivers, and Controllers.

4.7.1* Fire pumps shall be dedicated to and listed for fire protection service.

4.7.2 Acceptable drivers for pumps at a single installation shall be electric motors, diesel engines, steam turbines, or a combination thereof.

4.7.3* A pump shall not be equipped with more than one driver.

4.7.4 Each fire pump shall have its own dedicated driver unless otherwise permitted in 8.6.3.1.

4.7.5 Each driver or water mist positive displacement pumping unit shall have its own dedicated controller.

4.7.6* The driver shall be selected in accordance with 9.5.2 (electric motors), 11.2.2 (diesel engines), or 13.1.2 (steam turbines) to provide the required power to operate the pump at rated speed and maximum pump load under any flow condition.

4.7.7* Maximum Pressure for Centrifugal Pumps.

4.7.7.1 The net pump shutoff (churn) pressure plus the maximum static suction pressure, adjusted for elevation, shall not exceed the pressure for which the system components are rated.

4.7.7.2* Pressure relief valves and pressure regulating devices in the fire pump installation shall not be used as a means to meet the requirements of 4.7.7.1.

4.7.7.3 Variable Speed Pressure Limiting Control.

4.7.7.3.1 Variable speed pressure limiting control drivers, as defined in this standard, shall be acceptable to limit system pressure.

4.7.7.3.2* The set pressure plus the maximum pressure variance of the variable speed pressure limiting controlled

systems during variable speed operation and adjusted for elevation shall not exceed the pressure rating of any system component.

4.8 Multistage Multiport Pump.

4.8.1 Multistage multiport fire pumps shall be installed in accordance with this standard.

4.8.2 A shutoff valve shall not be required between the impellers of a multistage multiport pump.

4.9* Centrifugal Fire Pump Capacities.

4.9.1 A centrifugal fire pump for fire protection shall be selected so that the greatest single demand for any fire protection system connected to the pump is less than or equal to 150 percent of the rated capacity (flow) of the pump.

4.9.2* Centrifugal fire pumps shall have one of the rated capacities in gpm (L/min) identified in Table 4.9.2 and shall be rated at net pressures of 40 psi (2.7 bar) or more.

4.9.3 Centrifugal fire pumps with ratings over 5000 gpm (18,925 L/min) shall be subject to individual review by either the authority having jurisdiction or a listing laboratory.

4.10 Nameplate.

4.10.1 Pumps shall be provided with a nameplate.

4.10.2 The name plate shall be made of and attached using corrosion resistant material.

4.11 Pressure Gauges.

4.11.1 Discharge.

4.11.1.1 A pressure gauge having a dial not less than 3.5 in. (89 mm) in diameter shall be connected near the discharge casting with a nominal 0.25 in. (6 mm) gauge valve.

4.11.1.2 The dial shall indicate pressure to at least twice the rated working pressure of the pump but not less than 200 psi (13.8 bar).

4.11.1.3 The face of the dial shall read in bar, pounds per square inch, or both with the manufacturer's standard graduations.

4.11.2* Suction.

4.11.2.1 Unless the requirements of 4.11.2.4 are met, a gauge having a dial not less than 3.5 in. (89 mm) in diameter shall be

Table 4.9.2 Centrifugal Fire Pump Capacities

gpm	L/min	gpm	L/min
25	95	1,000	3,785
50	189	1,250	4,731
100	379	1,500	5,677
150	568	2,000	7,570
200	757	2,500	9,462
250	946	3,000	11,355
300	1,136	3,500	13,247
400	1,514	4,000	15,140
450	1,703	4,500	17,032
500	1,892	5,000	18,925
750	2,839		

connected to the suction pipe near the pump with a nominal 0.25 in. (6 mm) gauge valve.

4.11.2.1.1 Where the minimum pump suction pressure is below 20 psi (1.3 bar) under any flow condition, the suction gauge shall be a compound pressure and vacuum gauge.

4.11.2.2 The face of the dial shall read in inches of mercury (millimeters of mercury) or psi (bar) for the suction range.

4.11.2.3 The gauge shall have a pressure range two times the rated maximum suction pressure of the pump.

4.11.2.4 The requirements of 4.11.2 shall not apply to vertical shaft turbine-type pumps taking suction from a well or open wet pit.

4.12 Circulation Relief Valve.

4.12.1 General Requirements.

4.12.1.1 Where an electric variable speed pressure limiting controller is installed, the automatic circulation relief valve shall be set to a minimum of 5 psi (0.34 bar) below the operation set pressure.

4.12.1.2 Unless the requirements of 4.12.1.8 are met, each pump(s) shall have an automatic relief valve listed for the fire pump service installed and set below the shutoff pressure at minimum expected suction pressure.

4.12.1.3 The valve shall be installed on the discharge side of the pump before the discharge check valve.

4.12.1.3.1 For multistage multiport pumps, the automatic circulation relief valve shall be installed before the discharge check valve for the last port and set below the churn pressure of the first port.

4.12.1.4 The valve shall provide sufficient water flow to prevent the pump from overheating when operating with no discharge.

4.12.1.5 Provisions shall be made for discharge to a drain.

4.12.1.6 Circulation relief valves shall not be tied in with the packing box or drip rim drains.

4.12.1.7 The automatic relief valve shall have a nominal size of 0.75 in. (19 mm) for pumps with a rated capacity not exceeding 2500 gpm (9462 L/min) and have a nominal size of 1 in. (25 mm) for pumps with a rated capacity of 3000 gpm to 5000 gpm (11,355 L/min to 18,925 L/min).

4.12.1.8 The requirements of 4.12.1 shall not apply to engine-driven pumps for which engine cooling water is taken from the pump discharge.

4.13* Equipment Protection.

4.13.1* General Requirements. The fire pump, driver, controller, water supply, and power supply shall be protected against possible interruption of service through damage caused by explosion, fire, flood, earthquake, rodents, insects, windstorm, freezing, vandalism, and other adverse conditions.

4.13.1.1* Indoor Fire Pump Units.

4.13.1.1.1 Except as permitted in 4.13.1.1.3, fire pump units serving high-rise buildings shall be protected from surrounding occupancies by a minimum of 2-hour fire-rated construction or physically separated from the protected building by a minimum of 50 ft (15.3 m).

4.13.1.1.2* Except as permitted in 4.13.1.1.3, indoor fire pump rooms in non-high-rise buildings or in separate fire pump buildings shall be physically separated or protected by fire-rated construction in accordance with Table 4.13.1.1.2.

4.13.1.1.3* Fire pump units supplying a local application fire protection system(s) shall be physically separated from the hazard being protected in a manner that will prevent a fire associated with the hazard from directly exposing the pumping unit.

4.13.1.1.4 The location of and access to the fire pump room shall be preplanned with the fire department.

4.13.1.1.5* Except as permitted in 4.13.1.1.6, rooms containing fire pumps shall be free from storage, equipment, and penetrations not essential to the operation of the pump and related components.

4.13.1.1.6 Equipment related to domestic water distribution shall be permitted to be located within the same room as the fire pump equipment.

4.13.1.1.7 The pump room or pump house shall be sized to fit all of the components necessary for the operation of the fire pump and to accommodate the following:

- (1) Clearance between components for installation and maintenance
- (2) Clearance between a component and the wall for installation and maintenance
- (3) Clearance between energized electrical equipment and other equipment in accordance with *NFPA 70*
- (4) Orientation of the pump to the suction piping to allow compliance with 4.15.6.3

4.13.1.2 Outdoor Fire Pump Units.

4.13.1.2.1 Fire pump units that are outdoors shall be located at least 50 ft (15.3 m) away from any buildings and other fire exposures exposing the building.

4.13.1.2.2 Outdoor installations shall be required to be provided with protection against possible interruption, in accordance with 4.13.1.

4.13.1.3 Fire Pump Buildings or Rooms with Diesel Engines.

Fire pump buildings or rooms enclosing diesel engine pump drivers and day tanks shall be protected with an automatic sprinkler system installed in accordance with NFPA 13 as an Extra Hazard Group 2 occupancy.

4.13.1.4 Fire Pump Buildings or Rooms with Electric Drivers.

For buildings that are required to be sprinklered, fire pump buildings or rooms enclosing electric fire pump drivers shall be protected with an automatic sprinkler system installed in

Table 4.13.1.1.2 Equipment Protection

Pump Room/ House	Building(s) Exposing Pump Room/House	Required Separation
Not sprinklered	Not sprinklered	2 hour fire-rated or 50 ft (15.3 m)
Not sprinklered	Fully sprinklered	
Fully sprinklered	Not sprinklered	
Fully sprinklered	Fully sprinklered	1 hour fire-rated or 50 ft (15.3 m)

accordance with NFPA 13 as an Ordinary Hazard Group 1 occupancy.

4.13.2 Equipment Access.

4.13.2.1 The location of and access to the fire pump room(s) shall be pre-planned with the fire department.

4.13.2.1.1 Except as provided in 4.13.2.1.1.1, fire pump rooms not directly accessible from the outside shall be accessible through an enclosed passageway from an enclosed stairway or exterior exit.

4.13.2.1.1.1 Fire pump units supplying only local application fire protection systems shall be accessible by a path that is not subject to exposure from a fire in any hazard protected by the fire pump.

4.13.2.1.2 The enclosed passageway shall have a fire-resistance rating not less than the fire-resistance rating of the fire pump room.

4.13.3 Heat.

4.13.3.1 An approved or listed source of heat shall be provided for maintaining the temperature of a pump room or pump house, where required, above 40°F (4°C).

4.13.3.2 The requirements of 11.6.5 shall be followed for higher temperature requirements for internal combustion engines.

4.13.4 **Normal Lighting.** Artificial light shall be provided in a pump room or pump house.

4.13.5 Emergency Lighting.

4.13.5.1 Pump rooms shall be provided with emergency lighting.

4.13.5.2 The intensity of illumination in the pump room(s) shall be 3.0 ft-candles (32.3 lux), unless otherwise specified by a requirement recognized by the authority having jurisdiction.

4.13.5.3 Emergency lights shall not be connected to an engine-starting battery.

4.13.5.4 The emergency lighting shall be capable of maintaining the lighting level for a minimum of 2 hours.

4.13.6 **Ventilation.** Provision shall be made for ventilation of a pump room or pump house.

4.13.7* Drainage.

4.13.7.1 Floors shall be pitched for adequate drainage of escaping water away from critical equipment such as the pump, driver, controller, and so forth.

4.13.7.2 The pump room or pump house shall be provided with a floor drain that will discharge to a frost-free location.

4.13.8 **Guards.** Couplings and flexible connecting shafts shall be installed with a coupling guard in accordance with Section 7 of ANSI B11.19, *Performance Requirements for Safeguarding*.

4.14 Pipe and Fittings.

4.14.1* Steel Pipe.

4.14.1.1 Steel pipe shall be used aboveground except for connection to underground suction and underground discharge piping.

4.14.1.2 Where corrosive water conditions exist, steel suction pipe shall be galvanized or painted on the inside prior to installation with a paint recommended for submerged surfaces.

4.14.1.3 Thick bituminous linings shall not be used.

4.14.2* Joining Method.

4.14.2.1 Sections of steel piping shall be joined by means of screwed, flanged mechanical grooved joints or other approved fittings.

4.14.2.2 Slip-type fittings shall be permitted to be used where installed as required by 4.15.6 and where the piping is mechanically secured to prevent slippage.

4.14.3 Concentrate and Additive Piping.

4.14.3.1 Foam concentrate or additive piping shall be a material that will not corrode in this service.

4.14.3.2 Galvanized pipe shall not be used for foam concentrate service.

4.14.4 **Drain Piping.** Drain pipe and its fittings that discharge to atmosphere shall be permitted to be constructed of metallic or polymeric materials.

4.14.5* Piping, Hangers, and Seismic Bracing.

4.14.5.1 The support of pipe and fittings shall comply with the requirements of 9.1 and 9.2 in NFPA 13.

4.14.5.2 The seismic protection, where applicable, of pipe and fittings shall comply with the requirements of 9.3 in NFPA 13.

4.14.6* **Cutting and Welding.** Torch cutting or welding in the pump house shall be permitted as a means of modifying or repairing pump house piping when it is performed in accordance with NFPA 51B.

4.15 Suction Pipe and Fittings.

4.15.1* Components.

4.15.1.1 The suction components shall consist of all pipe, valves, and fittings from the pump suction flange to the connection to the public or private water service main, storage tank, or reservoir, and so forth, that feeds water to the pump.

4.15.1.2 Where pumps are installed in series, the suction pipe for the subsequent pump(s) shall begin at the system side of the discharge valve of the previous pump.

4.15.2 **Installation.** Suction pipe shall be installed and tested in accordance with NFPA 24.

4.15.3 Suction Size.

4.15.3.1 Unless the requirements of 4.15.3.2 are met, the size of the suction pipe for a single pump or of the suction header pipe for multiple pumps (designed to operate together) shall be such that, with all pumps operating at maximum flow (150 percent of rated capacity or the maximum flow available from the water supply as discussed in 4.6.2.3.1), the gauge pressure at the pump suction flanges shall be 0 psi (0 bar) or higher.

4.15.3.2* The requirements of 4.15.3.1 shall not apply where the supply is a suction tank with its base at or above the same elevation as the pump, and the gauge pressure at the pump suction flange shall be permitted to drop to -3 psi (-0.2 bar)

with the lowest water level after the maximum system demand and duration have been supplied.

4.15.3.3 The size of that portion of the suction pipe located within 10 pipe diameters upstream of the pump suction flange shall be not less than that specified in Section 4.27.

4.15.4* Pumps with Bypass.

4.15.4.1 Where the suction supply is of sufficient pressure to be of material value without the pump, the pump shall be installed with a bypass. (See Figure A.4.15.4.)

4.15.4.2 For multistage multiport pumps, a bypass shall be installed between the pump suction and the first outlet port and between sequential outlet ports wherever the bypass can provide pressure that is of material value without the impeller. (See Figure A.4.15.4.)

4.15.4.3 The size of the bypass shall be at least as large as the pipe size required for discharge pipe as specified in Section 4.27.

4.15.5* Valves.

4.15.5.1 A listed outside screw and yoke (OS&Y) gate valve shall be installed in the suction pipe.

4.15.5.2 No control valve other than a listed OS&Y valve and the devices as permitted in 4.28.3 shall be installed in the suction pipe within 50 ft (15.3 m) of the pump suction flange.

4.15.6* Installation.

4.15.6.1 General. Suction pipe shall be laid carefully to avoid air leaks and air pockets, either of which can seriously affect the operation of the pump.

4.15.6.2 Freeze Protection.

4.15.6.2.1 Suction pipe shall be installed below the frost line or in frostproof casings.

4.15.6.2.2 Where pipe enters streams, ponds, or reservoirs, special attention shall be given to prevent freezing either underground or underwater.

4.15.6.3 Elbows and Tees.

4.15.6.3.1 Unless the requirements of 4.15.6.3.2 are met, elbows and tees with a centerline plane parallel to a horizontal split-case pump shaft shall not be permitted. (See Figure A.4.15.6.)

4.15.6.3.2 The requirements of 4.15.6.3.1 shall not apply to elbows and tees with a centerline plane parallel to a horizontal split-case pump shaft where the distance between the flanges of the pump suction intake and the elbow and tee is greater than 10 times the suction pipe diameter.

4.15.6.3.3 Elbows and tees with a centerline plane perpendicular to the horizontal split-case pump shaft shall be permitted at any location in the pump suction intake.

4.15.6.4 Eccentric Tapered Reducer or Increaser. Where the suction pipe and pump suction flange are not of the same size, they shall be connected with an eccentric tapered reducer or increaser installed in such a way as to avoid air pockets.

4.15.6.5 Strain Relief. Where the pump and its suction supply are on separate foundations with rigid interconnecting pipe,

the pipe shall be provided with strain relief. (See Figure A.6.3.1(a).)

4.15.7 Multiple Pumps. Where a single suction pipe supplies more than one pump, the suction pipe layout at the pumps shall be arranged so that each pump will receive its proportional supply.

4.15.8* Suction Screening.

4.15.8.1 Where the water supply is obtained from an open source such as a pond or wet pit, the passage of materials that might clog the pump shall be obstructed.

4.15.8.2 Double intake screens shall be provided at the suction intake.

4.15.8.3 Screens shall be removable, or an in situ cleaning shall be provided.

4.15.8.4 Below minimum water level, these screens shall have an effective net area of opening of 1 in.² for each 1 gpm (170 mm² for each 1 L/min) at 150 percent of rated pump capacity.

4.15.8.5 Screens shall be so arranged that they can be cleaned or repaired without disturbing the suction pipe.

4.15.8.6 Mesh screens shall be brass, copper, Monel, stainless steel, or other equivalent corrosion-resistant metallic material wire screen of 0.50 in. (12.7 mm) maximum mesh and No. 10 B&S gauge.

4.15.8.7 Where flat panel mesh screens are used, the wire shall be secured to a metal frame sliding vertically at the entrance to the intake.

4.15.8.8 Where the screens are located in a sump or depression, they shall be equipped with a debris-lifting rake.

4.15.8.9 Periodically, the system shall be test pumped, the screens shall be removed for inspection, and accumulated debris shall be removed.

4.15.8.10 Continuous slot screens shall be brass, copper, Monel, stainless steel, or other equivalent corrosion-resistant metallic material of 0.125 in. (3.2 mm) maximum slot and profile wire construction.

4.15.8.11 Screens shall have at least 62.5 percent open area.

4.15.8.12 Where zebra mussel infestation is present or reasonably anticipated at the site, the screens shall be constructed of a material with demonstrated resistance to zebra mussel attachment or coated with a material with demonstrated resistance to zebra mussel attachment at low velocities.

4.15.8.13 The overall area of the screen shall be 1.6 times the net screen opening area. (See screen details in Figure A.7.2.2.2.)

4.15.9* Devices in Suction Piping.

4.15.9.1 No device or assembly, unless identified in 4.15.9.2, that will stop, restrict the starting of, or restrict the discharge of a fire pump or pump driver shall be installed in the suction piping.

4.15.9.2 The following devices shall be permitted in the suction piping where the following requirements are met:

- (1) Check valves and backflow prevention devices and assemblies shall be permitted where required by other NFPA standards or the authority having jurisdiction and installed in accordance with Section 4.28.
- (2) Where the authority having jurisdiction requires positive pressure to be maintained on the suction piping, a pressure sensing line for a low suction pressure control, specifically listed for fire pump service, shall be permitted to be connected to the suction piping.
- (3) Devices shall be permitted to be installed in the suction supply piping or stored water supply and arranged to activate a signal if the pump suction pressure or water level falls below a predetermined minimum.
- (4) Suction strainers shall be permitted to be installed in the suction piping where required by other sections of this standard.
- (5) Other devices specifically permitted or required by this standard shall be permitted.

4.15.10* Anti-Vortex Plate. Where a tank is used as the suction source for a fire pump, the discharge outlet of the tank shall be equipped with an assembly that controls vortex flow in accordance with NFPA 22.

4.16 Discharge Pipe and Fittings.

4.16.1 The discharge components shall consist of pipe, valves, and fittings extending from the pump discharge flange to the system side of the discharge valve.

4.16.2 For multistage multiport pumps, the discharge components for each port shall consist of pipe, valves, and fittings extending from the pump port discharge flange to the system side of the discharge valve for that port.

4.16.3 The pressure rating of the discharge components shall be adequate for the maximum total discharge head with the pump operating at shutoff and rated speed but shall not be less than the rating of the fire protection system.

4.16.4* Steel pipe with flanges, screwed joints, or mechanical grooved joints shall be used above ground.

4.16.5 All pump discharge pipe shall be hydrostatically tested in accordance with NFPA 13.

4.16.6* The size of pump discharge pipe and fittings shall not be less than that given in Section 4.27.

4.16.7* A listed check valve or backflow preventer shall be installed in the pump discharge assembly.

4.16.8* A listed indicating gate or butterfly valve shall be installed on the fire protection system side of the pump discharge check valve.

4.16.9 Where pumps are installed in series, a butterfly valve shall not be installed between pumps.

4.16.10 Low Suction Pressure Controls.

4.16.10.1 Suction pressure regulating valves that are listed for fire pump service and that are suction pressure sensitive shall be permitted where the authority having jurisdiction requires positive pressure to be maintained on the suction piping.

4.16.10.2 Where a suction pressure regulating valve is used, it shall be installed according to manufacturers' recommendations in the piping between the pump and the discharge check valve.

4.16.10.3 The size of the suction pressure regulating valve shall not be less than that given for discharge piping in Section 4.27.

4.16.10.4 The friction loss through a suction pressure regulating valve in the fully open position shall be taken into account in the design of the fire protection system.

4.16.10.5 System design shall be such that the suction pressure regulating valve is in the fully open position at the system design point and at 100 percent of rated flow.

4.16.11* Pressure Regulating Devices. No pressure regulating devices shall be installed in the discharge pipe except as permitted in this standard.

4.17* Valve Supervision.

4.17.1 Supervised Open. Where provided, the suction valve, discharge valve, bypass valves, and isolation valves on the backflow prevention device or assembly shall be supervised open by one of the following methods:

- (1) Central station, proprietary, or remote station signaling service
- (2) Local signaling service that will cause the sounding of an audible signal at a constantly attended point
- (3) Locking valves open
- (4) Sealing of valves and approved weekly recorded inspection where valves are located within fenced enclosures under the control of the owner

4.17.2 Supervised Closed. Control valves located in the pipeline to the hose valve header shall be supervised closed by one of the methods allowed in 4.17.1.

4.18* Protection of Piping Against Damage Due to Movement. A clearance shall be provided around pipes that pass through walls, ceilings, or floors of the fire pump room enclosure.

4.18.1 Unless the requirements of 4.18.2 through 4.18.4 are met, where pipe passes through walls, ceilings, or floors of the fire pump room enclosure, the holes shall be sized such that the diameter of the hole is nominally 2 in. (50 mm) larger than the pipe.

4.18.2 Where clearance is provided by a pipe sleeve, a nominal diameter 2 in. (50 mm) larger than the nominal diameter of the pipe shall be acceptable.

4.18.3 No clearance is required if flexible couplings are located within 1 ft (305 mm) of each side of the wall, ceiling, or floor.

4.18.4 Where protection of piping against damage caused by earthquakes is required, the provisions of Section 4.29 shall apply.

4.18.5 Where required, the clearance shall be filled with flexible material that is compatible with the piping materials and maintains any required fire resistance rating of the enclosure.

4.19 Relief Valves for Centrifugal Pumps.

4.19.1* General.

4.19.1.1* Pressure relief valves shall be used only where specifically permitted by this standard.

4.19.1.2 Where a diesel engine fire pump is installed and where a total of 121 percent of the net rated shutoff (churn) pressure plus the maximum static suction pressure, adjusted

for elevation, exceeds the pressure for which the system components are rated, a pressure relief valve shall be installed.

4.19.1.3 Where an electric variable speed pressure limiting controller or a diesel pressure limiting driver is installed, and the maximum total discharge head adjusted for elevation with the pump operating at shutoff and rated speed exceeds the pressure rating of the system components, a pressure relief valve shall be installed.

4.19.1.3.1 Where a variable speed pressure limiting control is used, the pressure relief valve shall be set to a minimum of 10 psi (0.68 bar) above the set pressure of the variable speed pressure limiting control.

4.19.2 Size. The relief valve size shall be determined by one of the methods specified in 4.19.2.1 or 4.19.2.2.

4.19.2.1* The relief valve shall be permitted to be sized hydraulically to discharge sufficient water to prevent the pump discharge pressure, adjusted for elevation, from exceeding the pressure rating of the system components.

4.19.2.2 If the relief valve is not sized hydraulically, the relief valve size shall not be less than that given in Section 4.27. (*See also 4.19.7 and A.4.19.7 for conditions that affect size.*)

4.19.3 Location. The relief valve shall be located between the pump and the pump discharge check valve and shall be so attached that it can be readily removed for repairs without disturbing the piping.

4.19.4 Type.

4.19.4.1 Pressure relief valves shall be either a listed spring-loaded or a pilot-operated diaphragm type.

4.19.4.2 Pilot-operated pressure relief valves, where attached to vertical shaft turbine pumps, shall be arranged to prevent relieving of water at water pressures less than the pressure relief setting of the valve.

4.19.5* Discharge.

4.19.5.1 The relief valve shall discharge into an open pipe or into a cone or funnel secured to the outlet of the valve.

4.19.5.2 Water discharge from the relief valve shall be readily visible or easily detectable by the pump operator.

4.19.5.3 Splashing of water into the pump room shall be avoided.

4.19.5.4 If a closed-type cone is used, it shall be provided with means for detecting motion of water through the cone.

4.19.5.5 If the relief valve is provided with means for detecting motion (flow) of water through the valve, then cones or funnels at its outlet shall not be required.

4.19.6 Discharge Piping.

4.19.6.1 Except as permitted in 4.19.6.2, the relief valve discharge pipe shall be of a size not less than that given in Section 4.27.

4.19.6.2 The discharge pipe shall be permitted to be sized hydraulically to discharge sufficient water to prevent the pump discharge pressure, adjusted for elevation, from exceeding the pressure rating of the system components.

4.19.6.2.1 If the pipe employs more than one elbow, the next larger pipe size shall be used.

4.19.6.3 Relief valve discharge piping returning water back to the supply source, such as an aboveground storage tank, shall be run independently and not be combined with the discharge from other relief valves.

4.19.7* Discharge to Source of Supply. Where the relief valve is piped back to the source of supply, the relief valve and piping shall have sufficient capacity to prevent pressure from exceeding that for which system components are rated.

4.19.7.1 Where a pressure relief valve has been piped back to suction, a circulation relief valve sized in accordance with 4.12.1.7 and 4.19.7 and discharged to atmosphere shall be provided downstream of the pressure relief valve. The circulating relief valve shall actuate below the opening set point of the pressure relief valve to ensure cooling of the pump during churn operation.

4.19.7.2 Where pump discharge water is piped back to pump suction and the pump is driven by a diesel engine with heat exchanger cooling, the controller shall provide a visual indicator and audible alarm and stop the engine when a high cooling water temperature signal as required by 11.2.4.4.8 is received, provided there are no active emergency requirements for the pump to run.

4.19.7.2.1 The requirements of 4.19.7.2 shall not apply when pump discharge water is being piped back to a water storage reservoir.

4.19.8* Discharge to Suction Reservoir. Where the supply of water to the pump is taken from a suction reservoir of limited capacity, the drain pipe shall discharge into the reservoir at a point as far from the pump suction as is necessary to prevent the pump from drafting air introduced by the drain pipe discharge.

4.19.9 Shutoff Valve. A shutoff valve shall not be installed in the relief valve supply or discharge piping.

4.20 Pumps Arranged in Series.

4.20.1 Series Fire Pump Unit Performance.

4.20.1.1 A series fire pump unit (pumps, drivers, controllers, and accessories) shall perform in compliance with this standard as an entire unit.

4.20.1.2 Within 20 seconds after a demand to start, pumps in series shall supply and maintain a stable discharge pressure (± 10 percent) throughout the entire range of operation.

4.20.1.2.1 The discharge pressure shall be permitted to restabilize whenever the flow condition changes.

4.20.1.3 The complete series fire pump unit shall be field acceptance tested for proper performance in accordance with the provisions of this standard. (*See Section 14.2.*)

4.20.2 Series Fire Pump Unit Arrangement.

4.20.2.1* Except as permitted by 4.20.2.2, all the pumps that are a part of a series fire pump unit shall be located within the same fire pump room.

4.20.2.2 Pumps that are a part of a series fire pump unit shall be permitted to be located in separate pump rooms where all the following conditions are met:

- (1) Each pump shall be arranged so that all pumps operating in series can be manually stopped or started from all pump rooms housing the series fire pumps.
- (2) The suction and discharge pressures from all pumps operating in series shall be displayed in all pump rooms housing the series fire pumps.
- (3) The alarms and signals shall be annunciated in the other pump rooms for all pumps that are a part of the series fire pump unit in accordance with 4.20.2.8 and 4.20.2.9.
- (4) The interconnect control wiring between the controllers in different pump rooms shall comply with 4.20.2.7 and 4.20.2.8.
- (5) A pump room communication system that shall comply with 4.20.2.9 and 4.20.2.10.

4.20.2.3 No more than three pumps shall be allowed to operate in series as a part of a series fire pump unit.

4.20.2.4 No more than two variable speed pumps shall be allowed to operate in series as a part of a series fire pump unit.

4.20.2.5 No pump in a series pump unit shall be shut down automatically for any condition of suction pressure.

4.20.2.6 No pressure reducing or pressure regulating valves shall be installed between fire pumps arranged in series as a part of a series fire pump unit.

4.20.2.7 The pressure at any point in any pump in a series fire pump unit, with all pumps running at shutoff and rated speed at the maximum static suction supply, shall not exceed any pump suction, discharge, or case working pressure rating.

4.20.2.8 Protection of Control Wiring for Series Fire Pump Units.

4.20.2.8.1* Interconnected control wiring of fire pumps in series that are not located in the same room and that affect the starting of the supply (lower zone) pump(s) shall be protected against fire and physical damage in the same manner as power conductors described in *NFPA 70*, Article 695.

4.20.2.8.1.1 The motor on the supply (lower zone) pump(s) shall start on the opening of the control circuit (remote start) loop.

4.20.2.8.1.2 The installed controllers shall meet the requirements of 10.5.2.5 or 12.7.2.5 as applicable.

4.20.2.9 Status Signals for Series Fire Pump Units.

4.20.2.9.1 Audible and visual status signals shall be provided in each pump room indicating the status of the associated series pump(s) not located in the same pump room.

4.20.2.9.1.1 The following audible and visual signals shall be provided in each pump room for each series electric fire pump(s).

- (1) Pump running in accordance with 10.4.7.2.1
- (2) Phase loss in accordance with 10.4.7.2.2
- (3) Phase reversal in accordance with 10.4.7.2.3
- (4) Controller connected to alternative source in accordance with 10.4.7.2.4
- (5) Alternate circuit breaker open or tripped in accordance with 10.8.3.12.1
- (6) Low suction pressure — suction pressure more than 10 psi (0.68 bar) below the design suction pressure on any downstream series pump(s).

4.20.2.9.1.2 The following audible and visual signals shall be provided in each pump room for each series diesel fire pump(s).

- (1) Pump running in accordance with 12.4.3(1)
- (2) Control switch in off or manual position in accordance with 12.4.2.3(2)
- (3) Trouble on controller or engine in accordance with 12.4.3(3)
- (4) Low suction pressure — suction pressure more than 10 psi (0.68 bar) below the design suction pressure on any downstream series pump(s).

4.20.2.9.2 Series fire pump controller(s) shall be provided with additional contacts for remote indication in accordance with 4.20.2.9.1.1 or 4.20.2.9.1.2.

4.20.2.9.2.1 Where other means are used to communicate this information, additional contacts in 4.20.2.9.2 shall not be required.

4.20.2.10 Communications for Series Fire Pump Units.

4.20.2.10.1 A two-way, in-building emergency services communications system in accordance with NFPA 72 shall be provided in each pump room where pumps in series are not located in the same room.

4.20.2.10.1.1 The communication system shall meet the survivability requirements of NFPA 72.

4.21 Water Flow Test Devices.

4.21.1 General.

4.21.1.1* A fire pump installation shall be arranged to allow the test of the pump at its rated conditions as well as the suction supply at the maximum flow available from the fire pump.

4.21.1.2* Where water usage or discharge is not permitted for the duration of the test specified in Chapter 14, the outlet shall be used to test the pump and suction supply and determine that the system is operating in accordance with the design.

4.21.1.3 The flow shall continue until the flow has stabilized. (See 14.2.6.5.)

4.21.1.4* Where a test header is installed, it shall be installed on an exterior wall or in another location outside the pump room that allows for water discharge during testing.

4.21.2 Meters and Testing Devices.

4.21.2.1* Metering devices or fixed nozzles for pump testing shall be listed.

4.21.2.2 Metering devices or fixed nozzles shall be capable of water flow of not less than 175 percent of rated pump capacity.

4.21.2.3 All of the meter system piping shall be permitted to be sized hydraulically but shall not be smaller than as specified by the meter manufacturer.

4.21.2.4 If the meter system piping is not sized hydraulically, then all of the meter system piping shall be sized as specified by the meter manufacturer but not less than the meter device sizes shown in Section 4.27.

4.21.2.5 For nonhydraulically sized piping, the minimum size meter for a given pump capacity shall be permitted to be used

where the meter system piping does not exceed 100 ft (30.5 m) equivalent length.

4.21.2.6 For nonhydraulically sized piping, where meter system piping exceeds 100 ft (30.5 m), including length of straight pipe plus equivalent length in fittings, elevation, and loss through meter, the next larger size of piping shall be used to minimize friction loss.

4.21.2.7 The primary element shall be suitable for that pipe size and pump rating.

4.21.2.8 The readout instrument shall be sized for the pump-rated capacity. (See Section 4.27.)

4.21.2.9 When discharging back into a tank, the discharge nozzle(s) or pipe shall be located at a point as far from the pump suction as is necessary to prevent the pump from drafting air introduced by the discharge of test water into the tank.

4.21.2.10* Where a metering device is installed in a loop arrangement for fire pump flow testing, an alternate means of measuring flow shall be provided.

4.21.2.10.1 The alternate means of measuring flow shall be located downstream of and in series with the flow meter.

4.21.2.10.2 The alternate means of measuring flow shall function for the range of flows necessary to conduct a full flow test.

4.21.2.10.3 An appropriately sized test header shall be an acceptable alternate means of measuring flow.

4.21.3 Hose Valves.

4.21.3.1* General.

4.21.3.1.1 Hose valves shall be listed.

4.21.3.1.2 The number and size of hose valves used for pump testing shall be as specified in Section 4.27.

4.21.3.1.3 Where outlets are being utilized as a means to test the fire pump in accordance with 4.21.1.1, one of the following methods shall be used:

- (1)* Hose valves mounted on a hose valve header with supply pipe sized in accordance with 4.21.3.4 and Section 4.27
- (2) Wall hydrants, yard hydrants, or standpipe outlets of sufficient number and size to allow testing of the pump

4.21.3.2 Thread Type. Thread types shall be in compliance with one of the following:

- (1) Hose valve(s) shall have the NH standard external thread for the valve size specified, as stipulated in NFPA 1963.
- (2) Where local fire department connections do not conform to NFPA 1963 and the connection is to be utilized as a wall hydrant, the authority having jurisdiction shall designate the threads to be used.

4.21.3.3 Location.

4.21.3.3.1 A listed indicating butterfly or gate valve shall be located in the pipeline to the hose valve header.

4.21.3.3.2 A drain valve or automatic ball drip shall be located in the pipeline at a low point between the valve and the header. [See Figure A.6.3.1(a) and Figure A.7.2.2.1.]

4.21.3.3.3 The valve required in 4.21.3.3.1 shall be at a point in the line close to the pump. [See Figure A.6.3.1(a).]

4.21.3.4 Pipe Size. The pipe size shall be in accordance with one of the following two methods:

- (1) Where the pipe between the hose valve header and the connection to the pump discharge pipe is over 15 ft (4.5 m) in length, the next larger pipe size than that required by 4.21.3.1.3 shall be used.
- (2)* This pipe is permitted to be sized by hydraulic calculations based on a total flow of 150 percent of rated pump capacity, including the following:
 - (a) This calculation shall include friction loss for the total length of pipe plus equivalent lengths of fittings, control valve, and hose valves, plus elevation loss, from the pump discharge flange to the hose valve outlets.
 - (b) The installation shall be proven by a test flowing the maximum water available.

4.22 Steam Power Supply Dependability.

4.22.1 Steam Supply.

4.22.1.1 Careful consideration shall be given in each case to the dependability of the steam supply and the steam supply system.

4.22.1.2 Consideration shall include the possible effect of interruption of transmission piping either on the property or in adjoining buildings that could threaten the property.

4.23 Shop Tests.

4.23.1 General. Each individual pump shall be tested at the factory to provide detailed performance data and to demonstrate its compliance with specifications.

4.23.2 Preshipment Tests.

4.23.2.1 Before shipment from the factory, each pump shall be hydrostatically tested by the manufacturer for a period of not less than 5 minutes.

4.23.2.2 The test pressure shall not be less than one and one-half times the sum of the pump's shutoff head plus its maximum allowable suction head, but in no case shall it be less than 250 psi (17.24 bar).

4.23.2.3 Pump casings shall be essentially tight at the test pressure.

4.23.2.4 During the test, no objectionable leakage shall occur at any joint.

4.23.2.5 In the case of vertical turbine-type pumps, both the discharge casting and pump bowl assembly shall be tested.

4.24* Pump Shaft Rotation. Pump shaft rotation shall be determined and correctly specified when fire pumps and equipment involving that rotation are ordered.

4.25* Other Signals. Where required by other sections of this standard, signals shall call attention to improper conditions in the fire pump equipment.

4.26* Pressure Maintenance (Jockey or Make-Up) Pumps.

4.26.1 For pressure-actuated fire pumps, a means to maintain the pressure in the fire protection system shall be provided in accordance with one of the following:

- (1) A pressure maintenance (jockey) pump

- (2) A water mist positive displacement pumping unit in accordance with 8.5.7.2
- (3) Another approved means that is not the main fire pump

4.26.2 Pressure maintenance pumps shall not be required to be listed. Pressure maintenance pumps shall be approved.

4.26.2.1* The pressure maintenance pump shall be sized to replenish the fire protection system pressure due to allowable leakage and normal drops in pressure.

4.26.3 Pressure maintenance pumps shall have rated capacities not less than any normal leakage rate.

4.26.4 Pressure maintenance pumps shall have discharge pressure sufficient to maintain the desired fire protection system pressure.

4.26.5* Excess Pressure.

4.26.5.1 Where a centrifugal-type pressure maintenance pump has a total discharge pressure with the pump operating at shut-off exceeding the working pressure rating of the fire protection equipment, or where a turbine vane (peripheral) type of pump is used, a relief valve sized to prevent overpressuring of the system shall be installed on the pump discharge to prevent damage to the fire protection system.

4.26.5.2 Running period timers shall not be used where jockey pumps are utilized that have the capability of exceeding the working pressure of the fire protection systems.

4.26.6 Piping and Components for Pressure Maintenance Pumps.

4.26.6.1 Steel pipe shall be used for suction and discharge piping on pressure maintenance pumps, which includes packaged prefabricated systems.

4.26.6.2 Valves and components for the pressure maintenance pump shall not be required to be listed.

4.26.6.3 An isolation valve shall be installed on the suction side of the pressure maintenance pump to isolate the pump for repair.

4.26.6.4 A check valve and isolation valve shall be installed in the discharge pipe.

4.26.6.5* Indicating valves shall be installed in such places as needed to make the pump, check valve, and miscellaneous fittings accessible for repair.

4.26.6.6 The pressure sensing line for the pressure maintenance pump shall be in accordance with Section 4.31.

4.26.6.7 The isolation valves serving the pressure maintenance pump shall not be required to be supervised.

4.26.7 Except as permitted in Chapter 8, the primary or standby fire pump shall not be used as a pressure maintenance pump.

4.26.8 The controller for a pressure maintenance pump shall be listed but shall not be required to be listed for fire pump service.

4.26.9 The pressure maintenance pump shall not be required to have secondary or standby power.

4.27 Summary of Centrifugal Fire Pump Data. The sizes indicated in Table 4.27(a) and Table 4.27(b) shall be used as a minimum.

4.28 Backflow Preventers and Check Valves.

4.28.1 Check valves and backflow prevention devices and assemblies shall be listed for fire protection service.

4.28.2 Relief Valve Drainage.

4.28.2.1 Where the backflow prevention device or assembly incorporates a relief valve, the relief valve shall discharge to a drain appropriately sized for the maximum anticipated flow from the relief valve.

4.28.2.2 An air gap shall be provided in accordance with the manufacturer's recommendations.

4.28.2.3 Water discharge from the relief valve shall be readily visible or easily detectable.

4.28.2.4 Performance of the requirements in 4.28.2.1 through 4.28.2.3 shall be documented by engineering calculations and tests.

4.28.3 Devices in Suction Piping. Where located in the suction pipe of the pump, check valves and backflow prevention devices or assemblies shall be located a minimum of 10 pipe diameters from the pump suction flange.

4.28.3.1 Where a backflow preventer with butterfly control valves is installed in the suction pipe, the backflow preventer is required to be at least 50 ft (15.2 m) from the pump suction flange (as measured along the route of pipe) in accordance with 4.15.5.2.

4.28.4 Evaluation.

4.28.4.1 Where the authority having jurisdiction requires the installation of a backflow prevention device or assembly in connection with the pump, special consideration shall be given to the increased pressure loss resulting from the installation.

4.28.4.2 Where a backflow prevention device is installed, the final arrangement shall provide effective pump performance with a minimum pump suction pressure of 0 psi (0 bar) at the gauge at 150 percent of rated capacity.

4.28.4.3 If available suction supplies do not permit the flowing of 150 percent of rated pump capacity, the final arrangement of the backflow prevention device shall provide effective pump performance with a minimum suction pressure of 0 psi (0 bar) at the gauge at the maximum allowable discharge.

4.28.4.4 The discharge shall exceed the fire protection system design flow.

4.28.4.5 Determination of effective pump performance shall be documented by engineering calculations and tests.

4.28.4.6 Retroactive installation of a backflow prevention device shall not reduce the suction pressure below that permitted in this standard and accepted by the authority having jurisdiction.

4.28.4.7 Retroactive installation of a backflow prevention device shall not result in a discharge pressure that does not meet the maximum system demand.

Table 4.27(a) Summary of Centrifugal Fire Pump Data (U.S. Customary)

Pump Rating (gpm)	Minimum Pipe Sizes (Nominal) (in.)						
	Suction ^{a,b,c}	Discharge ^a	Relief Valve	Relief Valve Discharge	Meter Device	Number and Size of Hose Valves	Hose Header Supply
25	1	1	3/4	1	1 1/4	1 — 1 1/2	1
50	1 1/2	1 1/4	1 1/4	1 1/2	2	1 — 1 1/2	1 1/2
100	2	2	1 1/2	2	2 1/2	1 — 2 1/2	2 1/2
150	2 1/2	2 1/2	2	2 1/2	3	1 — 2 1/2	2 1/2
200	3	3	2	2 1/2	3	1 — 2 1/2	2 1/2
250	3 1/2	3	2	2 1/2	3 1/2	1 — 2 1/2	3
300	4	4	2 1/2	3 1/2	3 1/2	1 — 2 1/2	3
400	4	4	3	5	4	2 — 2 1/2	4
450	5	5	3	5	4	2 — 2 1/2	4
500	5	5	3	5	5	2 — 2 1/2	4
750	6	6	4	6	5	3 — 2 1/2	6
1000	8	6	4	8	6	4 — 2 1/2	6
1250	8	8	6	8	6	6 — 2 1/2	8
1500	8	8	6	8	8	6 — 2 1/2	8
2000	10	10	6	10	8	6 — 2 1/2	8
2500	10	10	6	10	8	8 — 2 1/2	10
3000	12	12	8	12	8	12 — 2 1/2	10
3500	12	12	8	12	10	12 — 2 1/2	12
4000	14	12	8	14	10	16 — 2 1/2	12
4500	16	14	8	14	10	16 — 2 1/2	12
5000	16	14	8	14	10	20 — 2 1/2	12

Notes:

(1) The pressure relief valve is permitted to be sized in accordance with 4.19.2.1.

(2) The pressure relief valve discharge is permitted to be sized in accordance with 4.19.6.2.

(3) The flowmeter device is permitted to be sized in accordance with 4.21.2.3.

(4) The hose header supply is permitted to be sized in accordance with 4.21.3.4.

^aActual diameter of pump flange is permitted to be different from pipe diameter.^bApplies only to that portion of suction pipe specified in 4.15.3.3.^cSuction pipe sizes in Table 4.27(a) are based on a maximum velocity at 150 percent rated capacity to 15 ft/sec (4.6 m/sec) in most cases.**4.29 Earthquake Protection.****4.29.1 General.** Where water-based fire protection systems to be protected against damage from earthquakes, 4.29.2 and 4.29.3 shall apply.**4.29.2* Seismic Loads.** Horizontal seismic loads shall be determined in accordance with NFPA 13; SEI/ASCE 7, *Minimum Design Loads for Buildings and Other Structures*; local, state, or international codes; or other sources acceptable to the authority having jurisdiction.**4.29.3 Components.****4.29.3.1 Pump Driver and Controller.** The fire pump, driver, and fire pump controller shall be attached to their foundations with materials capable of resisting applicable seismic loads.**4.29.3.2* High Center of Gravity.** Pumps with high centers of gravity, such as vertical in-line pumps, shall be mounted at their base and braced above their center of gravity.**4.29.3.3* Pipe and Fittings.** Pipe and fittings shall be protected in accordance with NFPA 13.**4.29.3.4 Appurtenances.** Seismic protection of appurtenances, including trim pieces, shall be required where they are essential for post-earthquake operation of the fire pump.**4.29.3.4.1*** Where seismically protecting smaller diameter trim lines, restraint shall be sufficient.**4.30 Packaged Fire Pump Assemblies.****4.30.1** A packaged fire pump assembly, with or without an enclosure, shall meet all of the following requirements:

- (1) The components shall be assembled and affixed onto a steel framing structure.
- (2) Welders shall be qualified in accordance with the Section 9 of ASME *Boiler and Pressure Vessel Code* or with the American Welding Society AWS D1.1, *Structural Welding Code — Steel*.
- (3) The assembly shall be listed for fire pump service.
- (4) The total assembly shall be engineered and designed by a system designer as referenced in 4.3.2.
- (5) All plans and data sheets shall be submitted and reviewed by the authority having jurisdiction, with copies of the stamped approved submittals used in the assembly and for record keeping.

4.30.2 All electrical components, clearances, and wiring shall meet the minimum requirements of the applicable *NFPA 70* articles.

Table 4.27(b) Summary of Centrifugal Fire Pump Data (Metric)

Pump Rating (L/min)	Minimum Pipe Sizes (Nominal) (mm)						
	Suction ^{a,b,c}	Discharge ^a	Relief Valve	Relief Valve Discharge	Meter Device	Number and Size of Hose Valves	Hose Header Supply
95	25	25	19	25	32	1 — 38	25
189	38	32	32	38	50	1 — 38	38
379	50	50	38	50	65	1 — 65	65
568	65	65	50	65	75	1 — 65	65
757	75	75	50	65	75	1 — 65	65
946	85	75	50	65	85	1 — 65	75
1,136	100	100	65	85	85	1 — 65	75
1,514	100	100	75	125	100	2 — 65	100
1,703	125	125	75	125	100	2 — 65	100
1,892	125	125	75	125	125	2 — 65	100
2,839	150	150	100	150	125	3 — 65	150
3,785	200	150	100	200	150	4 — 65	150
4,731	200	200	150	200	150	6 — 65	200
5,677	200	200	150	200	200	6 — 65	200
7,570	250	250	150	250	200	6 — 65	200
9,462	250	250	150	250	200	8 — 65	250
11,355	300	300	200	300	200	12 — 65	250
13,247	300	300	200	300	250	12 — 65	300
15,140	350	300	200	350	250	16 — 65	300
17,032	400	350	200	350	250	16 — 65	300
18,925	400	350	200	350	250	20 — 65	300

Notes:

(1) The pressure relief valve is permitted to be sized in accordance with 4.19.2.1.

(2) The pressure relief valve discharge is permitted to be sized in accordance with 4.19.6.2.

(3) The flow meter device is permitted to be sized in accordance with 4.21.2.3.

(4) The hose header supply is permitted to be sized in accordance with 4.21.3.4.

^aActual diameter of pump flange is permitted to be different from pipe diameter.^bApplies only to that portion of suction pipe specified in 4.15.3.3.^cSuction pipe sizes in Table 4.27(b) are based on a maximum velocity at 150 percent rated capacity to 15 ft/sec (4.6 m/sec) in most cases.

4.30.3 Packaged and prefabricated skid unit(s) shall meet all the requirements in this standard, including those described in Sections 4.13 through 4.18.

4.30.4 Careful consideration shall be given to the possible effects of system component damage during shipment to the project site.

4.30.4.1 The structural integrity shall be maintained with minimal flexing and movement.

4.30.4.2 The necessary supports and restraints shall be installed to prevent damage and breakage during transit.

4.30.5 The packaged fire pump shall have the correct lifting points marked to ensure safe rigging of the unit.

4.30.6 All packaged pump house or pump skids, or both, shall meet the requirements of Section 4.29.

4.30.7 Suction and discharge piping shall be thoroughly inspected, including checking all flanged and mechanical connections per manufacturers' recommendations, after the pump house or skid unit is set in place on the permanent foundation.

4.30.8 The units shall be properly anchored and grouted in accordance with Section 6.4.

4.30.9* The interior floor of a package pump house shall be of solid construction with grading to provide proper drainage for the fire pump components.

4.30.9.1 The interior floor shall be permitted to be provided with grouting in accordance with 4.30.8 or installed after the packaged pump house is set in place in accordance with 4.30.10.

4.30.9.2 The structural frame for a packaged pump house shall be mounted on an engineered footing designed to withstand the live loads of the packaged unit and the applicable wind loading requirements.

4.30.9.3 The foundation footings of a package pump house shall include the necessary anchor points required to secure the package to the foundation.

4.30.10 A highly skid-resistant, solid structural plate floor with grout holes shall be permitted to be used where protection from corrosion and drainage is provided for all incidental pump room spillage or leakage.

4.31* Pressure Actuated Controller Pressure Sensing Lines.

4.31.1 For all pump installations, including jockey pumps, each controller shall have its own individual pressure sensing line.

4.31.1.1 Every multistage multiport pump for each discharge port shall have its own individual pressure sensing line connected to the fire pump controller.

4.31.1.1.1 The pressure maintenance pump controller for each discharge port shall have its own individual pressure sensing line.

4.31.2 The pressure sensing line connection for each pump, including jockey pumps, shall be made between that pump's discharge check valve and discharge isolation valve.

4.31.3* The pressure sensing line shall be brass, rigid copper pipe Types K, L, or M, or Series 300 stainless steel pipe or tube, and the fittings shall be of ½ in. (15 mm) nominal size.

4.31.4 Check Valves or Ground-Face Unions.

4.31.4.1 Where the requirements of 4.31.4.2 are not met, two bronze or stainless steel check valves shall be installed in the pressure sensing line at least 5 ft (1.52 m) apart with a nominal ⅜ in. (2.4 mm) hole drilled in the bronze or stainless steel clapper to serve as dampening. [See Figure A.4.31(a) and Figure A.4.31(b).]

4.31.4.2 Where the water is clean, ground-face unions with noncorrosive diaphragms drilled with a nominal ⅜ in. (2.4 mm) orifice shall be permitted in place of the check valves.

4.31.4.3 There shall be two inspection test valves attached to the pressure sensing line that shall consist of a tee, a valve, a second tee with the branch plugged, and a second valve. [See Figure A.4.31(a) and Figure A.4.31(b).]

4.31.5 Shutoff Valve. There shall be no shutoff valve in the pressure sensing line.

4.31.6 Pressure Switch Actuation. Pressure switch actuation at the low adjustment setting shall initiate the pump starting sequence (if the pump is not already in operation).

4.32 Break Tanks. Where a break tank is used to provide the pump suction water supply, the installation shall comply with NFPA 22.

4.33 Field Acceptance Test of Pump Units. Upon completion of the entire fire pump installation, an acceptance test shall be conducted in accordance with the provisions of this standard. (See Chapter 14.)

Chapter 5 Fire Pumps for High-Rise Buildings**5.1 General.****5.1.1 Application.**

5.1.1.1 This chapter applies to all fire pumps within a building wherever a building is defined as high-rise in accordance with 3.3.26.

5.1.1.2 The provisions of all other chapters of this standard shall apply unless specifically addressed by this chapter.

5.2* Equipment Access. Location and access to the fire pump room shall be preplanned with the fire department.

5.3 Water Supply Tanks.

5.3.1 Where provided, water tanks shall be installed in accordance with NFPA 22.

5.3.2 When a water tank serves domestic and fire protection systems, the domestic supply connection shall be connected above the level required for fire protection demand.

5.4 Fire Pump Test Arrangement. Where the water supply to a fire pump is a tank, a listed flowmeter or a test header discharging back into the tank with a calibrated nozzle(s) arranged for the attachment of a pressure gauge to determine pitot pressure shall be required.

5.5 Auxiliary Power. Where electric motor-driven fire pump(s) are used, a reliable emergency source of power in accordance with Section 9.6 or a back-up fire pump in accordance with Section 9.3 shall be provided for the fire pump installation.

5.6* Very Tall Buildings.**5.6.1 Water Supply Tanks for Very Tall Buildings.**

5.6.1.1 Where the primary supply source is a tank, two or more water tanks shall be provided.

5.6.1.1.1 A water tank shall be permitted to be divided into compartments such that the compartments function as individual tanks.

5.6.1.1.2 The total volume of all tanks or compartments shall be sufficient for the full fire protection demand.

5.6.1.1.3 Each individual tank or compartment shall be sized so that at least 50 percent of the fire protection demand is stored with any one compartment or tank out of service.

5.6.1.2 An automatic refill valve shall be provided for each tank or tank compartment.

5.6.1.3 A manual refill valve shall be provided for each tank or tank compartment.

5.6.1.4 Each refill valve shall be sized and arranged to independently supply the system fire protection demand.

5.6.1.5 The automatic and manual fill valve combination for each tank or tank compartment shall have its own connection to one of the following:

- (1) A standpipe riser that is supplied with a backup fire pump
- (2) A reliable domestic riser sized to meet the requirements of 5.6.1.4

5.6.1.5.1* Each connection shall be made to a different riser.

5.6.2 Fire Pump Backup. Fire pumps serving zones that are partially or wholly beyond the pumping capability of the fire department apparatus shall be provided with one of the following:

- (1) A fully independent and automatic backup fire pump unit(s) arranged so that all zones can be maintained in full service with any one pump out of service.
- (2) An auxiliary means that is capable of providing the full fire protection demand and that is acceptable to the authority having jurisdiction.

Chapter 6 Centrifugal Pumps

6.1 General.

6.1.1* Types.

6.1.1.1 Centrifugal pumps shall be of the overhung impeller design and the impeller between bearings design.

6.1.1.2 The overhung impeller design shall be close coupled or separately coupled single- or two-stage end-suction-type [see Figure A.6.1.1(a) and Figure A.6.1.1(b)] or in-line-type [see Figure A.6.1.1(c) through Figure A.6.1.1(e)] pumps.

6.1.1.3 The impeller between bearings design shall be separately coupled single-stage or multistage axial (horizontal) split-case-type [see Figure A.6.1.1(f)] or radial (vertical) split-case-type [see Figure A.6.1.1(g)] pumps.

6.1.2* Application. Centrifugal pumps shall not be used where a static suction lift is required.

6.2* Factory and Field Performance.

6.2.1 Pumps shall furnish not less than 150 percent of rated capacity at not less than 65 percent of total rated head. (See Figure A.6.2.)

6.2.1.1 Each discharge outlet in a multistage multipoint pump shall furnish not less than 150 percent of rated capacity at not less than 65 percent of total rated head. (See Figure A.6.2.)

6.2.2 The shutoff head shall not exceed 140 percent of rated head for any type pump. (See Figure A.6.2.)

6.2.2.1 For each discharge outlet in a multistage multipoint pump, the shutoff head shall not exceed 140 percent of rated head for any type pump. (See Figure A.6.2.)

6.3 Fittings.

6.3.1* Where necessary, the following fittings for the pump shall be provided by the pump manufacturer or an authorized representative:

- (1) Automatic air release valve
- (2) Circulation relief valve
- (3) Pressure gauges

6.3.2 Where necessary, the following fittings shall be provided:

- (1) Eccentric tapered reducer at suction inlet
- (2) Hose valve manifold with hose valves
- (3) Flow measuring device
- (4) Relief valve and discharge cone
- (5) Pipeline strainer

6.3.3 Automatic Air Release.

6.3.3.1 Unless the requirements of 6.3.3.2 are met, pumps that are automatically controlled shall be provided with a listed float-operated air release valve having a nominal 0.50 in. (12.7 mm) minimum diameter discharged to atmosphere.

6.3.3.2 The requirements of 6.3.3.1 shall not apply to overhung impeller-type pumps with top centerline discharge or that are vertically mounted to naturally vent the air.

6.4 Foundation and Setting.

6.4.1* Overhung impeller and impeller between bearings design pumps and driver shall be mounted on a common grouted base plate.

6.4.2 Pumps of the overhung impeller close coupled in-line type [see Figure A.6.1.1(c)] shall be permitted to be mounted on a base attached to the pump mounting base plate.

6.4.3 The base plate shall be securely attached to a solid foundation in such a way that pump and driver shaft alignment is ensured.

6.4.4* The foundation shall be sufficiently substantial to form a permanent and rigid support for the base plate.

6.4.5 The base plate, with pump and driver mounted on it, shall be set level on the foundation.

6.5* Connection to Driver and Alignment.

6.5.1 Coupling Type.

6.5.1.1 Separately coupled-type pumps with electric motor or diesel engine drivers shall be connected by a flexible coupling or flexible connecting shaft.

6.5.1.2* Flexible couplings and flexible connecting shafts shall be listed for fire pump service and installed in accordance with the listing.

6.5.2 Pumps and drivers on separately coupled-type pumps shall be aligned in accordance with the coupling and pump manufacturers' specifications and the *Hydraulic Institute Standards for Centrifugal, Rotary and Reciprocating Pumps*. (See A.6.5.)

Chapter 7 Vertical Shaft Turbine-Type Pumps

7.1* General.

7.1.1* Application. Where the water supply is located below the discharge flange centerline and the water supply pressure is insufficient to deliver the water to the fire pump, a vertical shaft turbine-type pump shall be used.

7.1.2 Factory and Field Performance.

7.1.2.1 Pumps shall furnish not less than 150 percent of rated capacity at a total head of not less than 65 percent of the total rated head. (See Figure A.6.2.)

7.1.2.2 The total shutoff head shall not exceed 140 percent of the total rated head on vertical turbine pumps. (See Figure A.6.2.)

7.1.2.3 The vertical turbine-type pump shall be designed to operate in a vertical position with all parts in correct alignment.

7.2 Water Supply.

7.2.1 Source.

7.2.1.1* The water supply shall be adequate, dependable, and acceptable to the authority having jurisdiction.

7.2.1.2* The acceptance of a well as a water supply source shall be dependent upon satisfactory development of the well and establishment of satisfactory aquifer characteristics.

7.2.2 Pump Submergence.

7.2.2.1* Well Installations.

7.2.2.1.1 Submergence of the pump bowls shall be provided for reliable operation of the fire pump unit.

7.2.2.1.2 Submergence of the second impeller from the bottom of the pump bowl assembly shall be not less than 10 ft (3.2 m) below the pumping water level at 150 percent of rated capacity. (See *Figure A.7.2.2.1*.)

7.2.2.1.3* The submergence shall be increased by 1 ft (0.3 m) for each 1000 ft (305 m) of elevation above sea level.

7.2.2.2* Wet Pit Installations.

7.2.2.2.1 To provide submergence for priming, the elevation of the second impeller from the bottom of the pump bowl assembly shall be such that it is below the lowest pumping water level in the open body of water supplying the pit.

7.2.2.2.2 For pumps with rated capacities of 2000 gpm (7570 L/min) or greater, additional submergence is required to prevent the formation of vortices and to provide required net positive suction head (NPSH) in order to prevent excessive cavitation.

7.2.2.2.3 The required submergence shall be obtained from the pump manufacturer.

7.2.2.2.4 The distance between the bottom of the strainer and the bottom of the wet pit shall be at least one-half of the pump bowl diameter but not less than 12 in. (305 mm).

7.2.3 Well Construction.

7.2.3.1 It shall be the responsibility of the groundwater supply contractor to perform the necessary groundwater investigation to establish the reliability of the supply, to develop a well to produce the required supply, and to perform all work and install all equipment in a thorough and workmanlike manner.

7.2.3.2 To support the requirements of 7.2.3.1, the well shall be of ample diameter and sufficiently plumb to receive the pump.

7.2.4 Unconsolidated Formations (Sands and Gravels).

7.2.4.1 All casings shall be of steel of such diameter and installed to such depths as the formation could justify and as best meet the conditions.

7.2.4.2 Both inner and outer casings shall have a minimum wall thickness of 0.375 in. (9.5 mm).

7.2.4.3 Inner casing diameter shall be not less than 2 in. (51 mm) larger than the pump bowls.

7.2.4.4 The outer casing shall extend down to approximately the top of the water-bearing formation.

7.2.4.5 The inner casing of lesser diameter and the well screen shall extend as far into the formation as the water-bearing stratum could justify and as best meets the conditions.

7.2.4.6 The well screen is a vital part of the construction, and careful attention shall be given to its selection.

7.2.4.7 The well screen shall be the same diameter as the inner casing and of the proper length and percent open area to provide an entrance velocity not exceeding 0.15 ft/sec (46 mm/sec).

7.2.4.8 The screen shall be made of a corrosion- and acid-resistant material, such as stainless steel or Monel.

7.2.4.9 Monel shall be used where it is anticipated that the chloride content of the well water will exceed 1000 parts per million.

7.2.4.10 The screen shall have adequate strength to resist the external forces that will be applied after it is installed and to minimize the likelihood of damage during the installation.

7.2.4.11 The bottom of the well screen shall be sealed properly with a plate of the same material as the screen.

7.2.4.12 The sides of the outer casing shall be sealed by the introduction of neat cement placed under pressure from the bottom to the top.

7.2.4.13 Cement shall be allowed to set for a minimum of 48 hours before drilling operations are continued.

7.2.4.14 The immediate area surrounding the well screen not less than 6 in. (152 mm) shall be filled with clean and well-rounded gravel.

7.2.4.15 This gravel shall be of such size and quality as will create a gravel filter to ensure sand-free production and a low velocity of water leaving the formation and entering the well.

7.2.4.16 Tubular Wells.

7.2.4.16.1 Wells for fire pumps not exceeding 450 gpm (1703 L/min) developed in unconsolidated formations without an artificial gravel pack, such as tubular wells, shall be acceptable sources of water supply for fire pumps not exceeding 450 gpm (1703 L/min).

7.2.4.16.2 Tubular wells shall comply with all the requirements of 7.2.3 and 7.2.4, except compliance with 7.2.4.11 through 7.2.4.15 shall not be required.

7.2.5* Consolidated Formations. Where the drilling penetrates unconsolidated formations above the rock, surface casing shall be installed, seated in solid rock, and cemented in place.

7.2.6 Developing a Well.

7.2.6.1 Developing a new well and cleaning it of sand or rock particles (not to exceed 5 ppm) shall be the responsibility of the groundwater supply contractor.

7.2.6.2 Such development shall be performed with a test pump and not a fire pump.

7.2.6.3 Freedom from sand shall be determined when the test pump is operated at 150 percent of rated capacity of the fire pump for which the well is being prepared.

7.2.7* Test and Inspection of Well.

7.2.7.1 A test to determine the water production of the well shall be made.

7.2.7.2 An acceptable water measuring device such as an orifice, a venturi meter, or a calibrated pitot tube shall be used.

7.2.7.3 The test shall be witnessed by a representative of the customer, contractor, and authority having jurisdiction, as required.

7.2.7.4 The test shall be continuous for a period of at least 8 hours at 150 percent of the rated capacity of the fire pump with 15-minute-interval readings over the period of the test.

7.2.7.5 The test shall be evaluated with consideration given to the effect of other wells in the vicinity and any possible seasonal variation in the water table at the well site.

7.2.7.6 Test data shall describe the static water level and the pumping water level at 100 percent and 150 percent, respectively, of the rated capacity of the fire pump for which the well is being prepared.

7.2.7.7 All existing wells within a 1000 ft (305 m) radius of the fire well shall be monitored throughout the test period.

7.3 Pump.

7.3.1* Vertical Turbine Pump Head Component.

7.3.1.1 The pump head shall be either the aboveground or belowground discharge type.

7.3.1.2 The pump head shall be designed to support the driver, pump, column assembly, bowl assembly, maximum down thrust, and the oil tube tension nut or packing container.

7.3.2 Column.

7.3.2.1* The pump column shall be furnished in sections not exceeding a nominal length of 10 ft (3 m), shall be not less than the weight specified in Table 7.3.2.1(a) and Table 7.3.2.1(b), and shall be connected by threaded-sleeve couplings or flanges.

7.3.2.2 The ends of each section of threaded pipe shall be faced parallel and machined with threads to permit the ends to butt so as to form accurate alignment of the pump column.

7.3.2.3 All column flange faces shall be parallel and machined for rabbet fit to permit accurate alignment.

7.3.2.4 Where the static water level exceeds 50 ft (15.3 m) below ground, oil-lubricated-type pumps shall be used. (See Figure A.7.1.1.)

7.3.2.5 Where the pump is of the enclosed line shaft oil-lubricated type, the shaft-enclosing tube shall be furnished in interchangeable sections not over 10 ft (3 m) in length of extra-strong pipe.

7.3.2.6 An automatic sight feed oiler shall be provided on a suitable mounting bracket with connection to the shaft tube for oil-lubricated pumps. (See Figure A.7.1.1.)

7.3.2.7 The pump line shafting shall be sized so critical speed shall be 25 percent above and below the operating speed of the pump.

7.3.2.8 Operating speed shall include all speeds from shutoff to the 150 percent point of the pump, which vary on engine drives.

7.3.2.9 Operating speed for variable speed pressure limiting control drive systems shall include all speeds from rated to minimum operating speed.

7.3.3 Bowl Assembly.

7.3.3.1 The pump bowl shall be of close-grained cast iron, bronze, or other suitable material in accordance with the chemical analysis of the water and experience in the area.

7.3.3.2 Impellers shall be of the enclosed type and shall be of bronze or other suitable material in accordance with the chemical analysis of the water and experience in the area.

7.3.4 Suction Strainer.

7.3.4.1 A cast or heavy fabricated, corrosion-resistant metal cone or basket-type strainer shall be attached to the suction manifold of the pump.

7.3.4.2 The suction strainer shall have a free area of at least four times the area of the suction connections, and the openings shall be sized to restrict the passage of a 0.5 in. (12.7 mm) sphere.

7.3.4.3 For installations in a wet pit, this suction strainer shall be required in addition to the intake screen. (See Figure A.7.2.2.2.)

7.3.5 Fittings.

7.3.5.1 The following fittings shall be required for attachment to the pump:

- (1) Automatic air release valve as specified in 7.3.5.2
- (2) Water level detector as specified in 7.3.5.3
- (3) Discharge pressure gauge as specified in 4.11.1
- (4) Relief valve and discharge cone where required by 4.19.1
- (5) Hose valve header and hose valves as specified in 4.21.3 or metering devices as specified in 4.21.2

7.3.5.2 Automatic Air Release.

7.3.5.2.1 A nominal 1.5 in. (38 mm) pipe size or larger automatic air release valve shall be provided to vent air from the column and the discharge head upon the starting of the pump.

7.3.5.2.2 This valve shall also admit air to the column to dissipate the vacuum upon stopping of the pump.

7.3.5.2.3 This valve shall be located at the highest point in the discharge line between the fire pump and the discharge check valve.

Table 7.3.2.1(a) Pump Column Pipe Weights (U.S. Customary)

Nominal Size (in.)	Outside Diameter (O.D.) (in.)	Weight per Unit Length (Plain Ends) (lb/ft)
6	6.625	18.97
7	7.625	22.26
8	8.625	24.70
9	9.625	28.33
10	10.75	31.20
12	12.75	43.77
14	14.00	53.57

Table 7.3.2.1(b) Pump Column Pipe Weights (Metric)

Nominal Size (mm)	Outside Diameter (O.D.) (mm)	Weight per Unit Length (Plain Ends) (kg/m)
150	161	28.230
200	212	36.758
250	264	46.431
300	315	65.137
350	360	81.209

7.3.5.3* Water Level Detection. Water level detection shall be required for all vertical turbine pumps installed in wells to monitor the suction pressure available at the shutoff, 100 percent flow, and 150 percent flow points, to determine if the pump is operating within its design conditions.

7.3.5.3.1 Each well installation shall be equipped with a suitable water level detector.

7.3.5.3.2 If an air line is used, it shall be brass, copper, or series 300 stainless steel.

7.3.5.3.3 Air lines shall be strapped to column pipe at 10 ft (3 m) intervals.

7.4* Installation.

7.4.1 Pump House.

7.4.1.1 The pump house shall be of such design as will offer the least obstruction to the convenient handling and hoisting of vertical pump parts.

7.4.1.2 The requirements of Sections 4.13 and 11.3 shall also apply.

7.4.2 Outdoor Setting.

7.4.2.1 If in special cases the authority having jurisdiction does not require a pump room and the unit is installed outdoors, the driver shall be screened or enclosed and protected against tampering.

7.4.2.2 The screen or enclosure required in 7.4.2.1 shall be easily removable and shall have provision for ample ventilation.

7.4.3 Foundation.

7.4.3.1 Certified dimension prints shall be obtained from the manufacturer.

7.4.3.2 The foundation for vertical pumps shall be built to carry the entire weight of the pump and driver plus the weight of the water contained in it.

7.4.3.3 Foundation bolts shall be provided to firmly anchor the pump to the foundation.

7.4.3.4 The foundation shall be of sufficient area and strength that the load per square inch (square millimeter) on concrete does not exceed design standards.

7.4.3.5 The top of the foundation shall be carefully leveled to permit the pump to hang freely over a well pit on a short-coupled pump.

7.4.3.6 On a well pump, the pump head shall be positioned plumb over the well, which is not necessarily level.

7.4.3.7 Sump or Pit.

7.4.3.7.1 Where the pump is mounted over a sump or pit, I-beams shall be permitted to be used.

7.4.3.7.2 Where a right-angle gear is used, the driver shall be installed parallel to the beams.

7.5 Driver.

7.5.1 Method of Drive.

7.5.1.1 The driver provided shall be so constructed that the total thrust of the pump, which includes the weight of the shaft, impellers, and hydraulic thrust, can be carried on a

thrust bearing of ample capacity so that it will have an average life rating of 5 years continuous operation.

7.5.1.2 All drivers shall be so constructed that axial adjustment of impellers can be made to permit proper installation and operation of the equipment.

7.5.1.3 Vertical shaft turbine pumps shall be driven by a vertical hollow shaft electric motor or vertical hollow shaft right-angle gear drive with diesel engine or steam turbine except as permitted in 7.5.1.4.

7.5.1.4 The requirements of 7.5.1.3 shall not apply to diesel engines and steam turbines designed and listed for vertical installation with vertical shaft turbine-type pumps, which shall be permitted to employ solid shafts and shall not require a right-angle gear drive but shall require a nonreverse ratchet.

7.5.1.5 Motors shall be of the vertical hollow-shaft type and comply with 9.5.1.9.

7.5.1.6 Mass Elastic System.

7.5.1.6.1 For drive systems that include a right angle gear drive, the pump manufacturer shall provide a complete mass elastic system torsional analysis to ensure there are no damaging stresses or critical speeds within 25 percent above and below the operating speed of the pump and drive.

7.5.1.6.2 The torsional analysis specified in 7.5.1.6.1 shall include the mass elastic characteristics for a wetted pump with the specific impeller trim, coupling, right-angle gear, flexible connecting shaft, and engine, plus the excitation characteristics of the engine.

7.5.1.6.3 For variable speed vertical hollow shaft electric motors, the pump manufacturer shall provide a complete mass elastic system torsional analysis to ensure there are no damaging stresses or critical speeds within 25 percent above and below the operating speed of the pump and drive.

7.5.1.6.4 For vertical turbine pumps using angle gear drives driven by a diesel engine, a torsional vibration damping type coupling shall be used and mounted on the engine side of the driver shaft.

7.5.1.6.4.1 The torsional vibration damping type coupling shall be permitted to be omitted when a mass elastic system torsional analysis is provided and accepted by the authority having jurisdiction.

7.5.1.7 Gear Drives.

7.5.1.7.1 Gear drives and flexible connecting shafts shall be acceptable to the authority having jurisdiction.

7.5.1.7.2 Gear drives shall be of the vertical hollow-shaft type, permitting adjustment of the impellers for proper installation and operation of the equipment.

7.5.1.7.3 The gear drive shall be equipped with a nonreverse ratchet.

7.5.1.7.4 All gear drives shall be listed and rated by the manufacturer at a load equal to the maximum horsepower and thrust of the pump for which the gear drive is intended.

7.5.1.7.5 Water-cooled gear drives shall be equipped with a visual means to determine whether water circulation is occurring.

7.5.1.8 Flexible Connecting Shafts.

7.5.1.8.1 Unless the requirements of 7.5.1.4 are met, engines shall be connected to vertical shaft pumps by means of a right-angle gear drive with a listed flexible connecting shaft, which will prevent undue strain on both the engine and the gear drive.

7.5.1.8.2 The flexible connecting shaft shall be listed for this diesel fire pump service.

7.5.1.8.3 The operating angle for the flexible connecting shaft shall not exceed the limits specified by the manufacturer for the speed and horsepower transmitted under any static or operating conditions.

7.5.1.8.4 The requirements of 7.5.1.8.1 shall not apply to diesel engines and steam turbines designed and listed for vertical installation with vertical shaft turbine-type pumps, which shall be permitted to employ solid shafts, shall not require a right-angle drive, but shall require a non-reverse ratchet.

7.5.2 Controls. The controllers for the motor, diesel engine, or steam turbine shall comply with specifications for either electric-drive controllers in Chapter 10 or engine drive controllers in Chapter 12.

7.5.3 Variable Speed Vertical Turbine Pumps.

7.5.3.1 The pump supplier shall inform the controller manufacturer of any and all critical resonant speeds within the operating speed range of the pump, which is from zero up to full speed.

7.5.3.2 When water-lubricated pumps with line shaft bearings are installed, the pump manufacturer shall inform the controller manufacturer of the maximum allowed time for water to reach the top bearing under the condition of the lowest anticipated water level of the well or reservoir.

7.6 Operation and Maintenance.

7.6.1 Operation.

7.6.1.1* Before the unit is started for the first time after installation, all field-installed electrical connections and discharge piping from the pump shall be checked.

7.6.1.2 With the top drive coupling removed, the drive shaft shall be centered in the top drive coupling for proper alignment and the motor shall be operated momentarily to ensure that it rotates in the proper direction.

7.6.1.3 With the top drive coupling reinstalled, the impellers shall be set for proper clearance according to the manufacturer's instructions.

7.6.1.4* With the precautions of 7.6.1.1 through 7.6.1.3 taken, the pump shall be started and allowed to run.

7.6.1.5 The operation shall be observed for vibration while running, with vibration limits according to the *Hydraulic Institute Standards for Centrifugal, Rotary and Reciprocating Pumps*.

7.6.1.6 The driver shall be observed for proper operation.

7.6.2 Maintenance.

7.6.2.1 The manufacturer's instructions shall be carefully followed in making repairs and dismantling and reassembling pumps.

7.6.2.2 When spare or replacement parts are ordered, the pump serial number stamped on the nameplate fastened to the pump head shall be included in order to make sure the proper parts are provided.

7.6.2.3 Ample head room and access for removal of the pump shall be maintained.

Chapter 8 Positive Displacement Pumps

8.1* General.

8.1.1 Types. Positive displacement pumps shall be as defined in 3.3.38.14.

8.1.2* Suitability.

8.1.2.1 The positive displacement-type pump shall be listed for the intended application.

8.1.2.2* The listing shall verify the characteristic performance curves for a given pump model.

8.1.3 Application.

8.1.3.1 Positive displacement pumps shall be permitted to pump liquids for fire protection applications.

8.1.3.2 The selected pump shall be appropriate for the viscosity of the liquid.

8.1.4 Pump Seals.

8.1.4.1 The seal type acceptable for positive displacement pumps shall be either mechanical or lip seal.

8.1.4.2 Packing shall not be used.

8.1.5* Pump Materials. Materials used in pump construction shall be selected based on the corrosion potential of the environment, fluids used, and operational conditions. (*See 3.3.9 for corrosion-resistant materials.*)

8.1.6 Dump Valve.

8.1.6.1 A dump valve shall be provided on all closed head systems to allow the positive displacement pump to bleed off excess pressure and achieve operating speed before subjecting the driver to full load.

8.1.6.2 The dump valve shall operate only for the duration necessary for the positive displacement pump to achieve operating speed.

8.1.6.3 Dump Valve Control.

8.1.6.3.1 Automatic Operation. When an electrically operated dump valve is used, it shall be controlled by the positive displacement pump controller.

8.1.6.3.2 Manual Operation. Means shall be provided at the controller to ensure dump valve operation during manual start.

8.1.6.4 Dump valves shall be listed.

8.1.6.5 Dump valve discharge shall be permitted to be piped to the liquid supply tank, pump suction, drain, or liquid supply.

8.2 Foam Concentrate and Additive Pumps.

8.2.1 Additive Pumps. Additive pumps shall meet the requirements for foam concentrate pumps.

8.2.2* Net Positive Suction Head. Net positive suction head (NPSH) shall exceed the pump manufacturer's required NPSH plus 5 ft (1.52 m) of liquid.

8.2.3 Seal Materials. Seal materials shall be compatible with the foam concentrate or additive.

8.2.4* Dry Run. Foam concentrate pumps shall be capable of dry running for 10 minutes without damage.

8.2.5* Minimum Flow Rates. Pumps shall have foam concentrate flow rates to meet the maximum foam flow demand for their intended service.

8.2.6* Discharge Pressure. The discharge pressure of the pump shall exceed the maximum water pressure under any operating condition at the point of foam concentrate injection.

8.3 Water Mist System Pumps.

8.3.1* Positive displacement pumps for water shall have adequate capacities to meet the maximum system demand for their intended service.

8.3.2 NPSH shall exceed the pump manufacturer's required NPSH plus 5 ft (1.52 m) of liquid.

8.3.3 The inlet pressure to the pump shall not exceed the pump manufacturer's recommended maximum inlet pressure.

8.3.4 When the pump output has the potential to exceed the system flow requirements, a means to relieve the excess flow such as an unloader valve or orifice shall be provided.

8.3.5 Where the pump is equipped with an unloader valve, it shall be in addition to the safety relief valve as outlined in 8.5.2.

8.4 Water Mist Positive Displacement Pumping Units.

8.4.1 Water mist positive displacement pumping units shall be dedicated to and listed as a unit for fire protection service.

8.4.2 Except as provided in 8.4.3 through 8.4.8, all the requirements of this standard shall apply.

8.4.3 Water mist positive displacement pumping units shall include pumps, driver(s), and controller as a complete operating unit.

8.4.4 The pump controller shall manage the performance of all pumps and drivers to provide continuous and smooth operation without intermittent pump cycling or discharge pressure varying by more than 10 percent during pump sequencing after rated pressure has been achieved.

8.4.5 Redundancy shall be built into the units such that failure of a line pressure sensor or primary control board will not prevent the system from functioning as intended.

8.4.6 Where provided with a variable speed control, failure of the variable speed control feature shall cause the controller to bypass and isolate the variable speed control system.

8.4.7 The unit controller shall be arranged so that each pump can be manually operated individually without opening the enclosure door.

8.4.8 The requirement in 10.3.4.3 shall apply to each individual motor and the entire unit.

8.5 Fittings.

8.5.1 Gauges. A compound suction gauge and a discharge pressure gauge shall be furnished.

8.5.2* General Information for Relief Valves.

8.5.2.1 All pumps shall be equipped with a listed safety relief valve capable of relieving 100 percent of the rated pump capacity at a pressure not exceeding 125 percent of the relief valve set pressure.

8.5.2.2 The pressure relief valve shall be set such that the pressure required to discharge the rated pump capacity is at or below the lowest rated pressure of any component.

8.5.2.3 The relief valve shall be installed on the pump discharge to prevent damage to the fire protection system.

8.5.3* Relief Valves for Foam Concentrate Pumps.

8.5.3.1 For foam concentrate pumps, safety relief valves shall be piped in one of the following ways:

- (1) Connection of the discharge from the safety relief valve to the foam concentrate tank(s)
- (2) Where there is a tank return line, connection of the discharge from the safety relief valve to this line leading back to the tank provided there is no valve of any kind between the relief valve and the foam concentrate tank(s)
- (3) Connection of the discharge from the safety relief valve to the pump suction piping if a means to prevent overheating is provided

8.5.3.2 There shall be no valve between the outlet of the safety relief valve and its connection to the system.

8.5.4* Relief Valves for Water Mist Pumps.

8.5.4.1 Except as provided in 8.5.4.2, safety relief valves on positive displacement water mist pumps shall discharge to a drain or to a water supply at atmospheric pressure.

8.5.4.2 A safety relief valve shall be permitted to discharge into the pump suction where conditions meet both of the following:

- (1) A means is provided to prevent overheating.
- (2) The safety relief valve and pump driver are sized to accommodate the back pressure in the pump suction.

8.5.5* Suction Strainer.

8.5.5.1 Pumps shall be equipped with a removable and cleanable suction strainer installed at least 10 pipe diameters from the pump suction inlet.

8.5.5.2 Suction strainer pressure drop shall be calculated to ensure that sufficient NPSH is available to the pump.

8.5.5.3 The net open area of the strainer shall be at least four times the area of the suction piping.

8.5.5.4 Strainer mesh size shall be in accordance with the pump manufacturer's recommendation.

8.5.6 Water Supply Protection. Design of the system shall include protection of potable water supplies and prevention of cross connection or contamination.

8.5.7 Pressure Maintenance.

8.5.7.1 Except as permitted in 8.5.7.2, the primary or standby fire pump shall not be used as a pressure maintenance pump.

8.5.7.2 Water mist positive displacement pumping units that are designed and listed to alternate pressure maintenance duty between two or more pumps with variable speed pressure limiting control, and that provide a supervisory signal wherever pressure maintenance is required more than two times in one hour, shall be permitted to maintain system pressure.

8.5.7.3 When in the pressure maintenance mode, water mist positive displacement pumping units used for pressure maintenance shall not provide more than half of the nozzle flow of the smallest system nozzle when the standby pressure is applied at the smallest nozzle.

8.5.7.4 A single sensing line shall be permitted to be used for a water mist positive displacement pumping unit controller where the unit also serves for pressure maintenance on a water mist system.

8.6 Pump Drivers.

8.6.1* The driver shall be sized for and have enough power to operate the pump and drive train at all design points.

8.6.2 Reduction Gears.

8.6.2.1 If a reduction gear is provided between the driver and the pump, it shall be listed for the intended use.

8.6.2.1.1 Reduction gears shall meet the requirements of AGMA 2011, *Cylindrical Wormgearing Tolerance and Inspection Methods*.

8.6.2.2 Gears shall be AGMA Class 7 or better, and pinions shall be AGMA Class 8 or better.

8.6.2.3 Bearings shall be in accordance with AGMA standards and applied for an L10 life of 15,000 hours.

8.6.2.4 For drive systems that include a gear case, the pump manufacturer shall provide a complete mass elastic system torsional analysis to ensure there are no damaging stresses or critical speeds within 25 percent above and below the operating speed of the pump(s) and driver.

8.6.2.4.1 For variable speed drives, the analysis of 8.6.2.4 shall include all speeds down to 25 percent below the lowest operating speed obtainable with the variable speed drive.

8.6.3 Common Drivers.

8.6.3.1 A single driver shall be permitted to drive more than one positive displacement pump.

8.6.3.2 Redundant pump systems shall not be permitted to share a common driver.

8.7* Controllers. See Section 8.4 and Chapters 10 and 12 for requirements for controllers.

8.8 Foundation and Setting.

8.8.1 The pump and driver shall be mounted on a common grouted base plate.

8.8.2 The base plate shall be securely attached to a solid foundation in such a way that proper pump and driver shaft alignment will be maintained.

8.8.3 The foundation shall provide a solid support for the base plate.

8.9 Driver Connection and Alignment.

8.9.1 The pump and driver shall be connected by a listed, closed coupled, flexible coupling or timing gear type of belt drive coupling.

8.9.2 The coupling shall be selected to ensure that it is capable of transmitting the horsepower of the driver and does not exceed the manufacturer's maximum recommended horsepower and operating speed.

8.9.3 Pumps and drivers shall be aligned once final base plate placement is complete.

8.9.4 Alignment shall be in accordance with the coupling manufacturer's specifications.

8.9.5 The operating angle for the flexible coupling shall not exceed the recommended tolerances.

8.10 Flow Test Devices.

8.10.1 A positive displacement pump installation shall be arranged to allow the test of the pump at its rated conditions as well as the suction supply at the maximum flow available from the pump.

8.10.2 Additive pumping systems shall be equipped with a flow meter or orifice plate installed in a test loop back to the additive supply tank.

8.10.3 Water pumping systems shall be equipped with a flowmeter or orifice plate installed in a test loop back to the water supply, tank, inlet side of the water pump, or drain.

Chapter 9 Electric Drive for Pumps

9.1 General.

9.1.1 This chapter covers the minimum performance and testing requirements of the sources and transmission of electrical power to motors driving fire pumps.

9.1.2 This chapter also covers the minimum performance requirements of all intermediate equipment between the source(s) and the pump, including the motor(s) but excepting the electric fire pump controller, transfer switch, and accessories (*see Chapter 10*).

9.1.3 All electrical equipment and installation methods shall comply with *NFPA 70*, Article 695, and other applicable articles.

9.1.4* All power supplies shall be located and arranged to protect against damage by fire from within the premises and exposing hazards.

9.1.5 All power supplies shall have the capacity to run the fire pump on a continuous basis.

9.1.6 All power supplies shall comply with the voltage drop requirements of Section 9.4.

9.1.7* Phase converters shall not be used to supply power to a fire pump.

9.1.8* Interruption.

9.1.8.1 No ground fault interruption means shall be installed in any fire pump control or power circuit.

9.1.8.2 No arc fault interruption means shall be installed in any fire pump control or power circuit.

9.2* Normal Power.

9.2.1 An electric motor-driven fire pump shall be provided with a normal source of power as a continually available source.

9.2.2 The normal source of power required in 9.2.1 and its routing shall be arranged in accordance with one of the following:

- (1) Service connection dedicated to the fire pump installation
- (2) On-site power production facility connection dedicated to the fire pump installation
- (3) Dedicated feeder connection derived directly from the dedicated service to the fire pump installation
- (4) As a feeder connection where all of the following conditions are met:
 - (a) The protected facility is part of a multibuilding campus-style arrangement.
 - (b) A backup source of power is provided from a source independent of the normal source of power.
 - (c) It is impractical to supply the normal source of power through the arrangement in 9.2.2(1), 9.2.2(2), or 9.2.2(3).
 - (d) The arrangement is acceptable to the authority having jurisdiction.
 - (e) The overcurrent protection device(s) in each disconnecting means is selectively coordinated with any other supply side overcurrent protective device(s).
- (5) Dedicated transformer connection directly from the service meeting the requirements of Article 695 of *NFPA 70*

9.2.3 For fire pump installations using the arrangement in 9.2.2(1), 9.2.2(2), 9.2.2(3), or 9.2.2(5) for the normal source of power, no more than one disconnecting means and associated overcurrent protection device shall be installed in the power supply to the fire pump controller.

9.2.3.1 Where the disconnecting means permitted by 9.2.3 is installed, the disconnecting means shall meet all of the following requirements:

- (1) It shall be identified as being suitable for use as service equipment.
- (2) It shall be lockable in both the closed position and the open position.
- (3)* It shall be located remote from other building disconnecting means.
- (4)* It shall be located remote from other fire pump source disconnecting means.
- (5) It shall be marked "Fire Pump Disconnecting Means" in letters that are no less than 1 in. (25 mm) in height and that can be seen without having to open enclosure doors or covers.

9.2.3.2 Where the disconnecting means permitted by 9.2.3 is installed, a placard shall be placed adjacent to the fire pump controller stating the location of this disconnecting means and the location of any key needed to unlock the disconnect.

9.2.3.3 Where the disconnecting means permitted by 9.2.3 is installed, the disconnect shall be supervised in the closed position by one of the following methods:

- (1) Central station, proprietary, or remote station signal device

- (2) Local signaling service that will cause the sounding of an audible signal at a constantly attended location
- (3) Locking the disconnecting means in the closed position
- (4) Where the disconnecting means is located within fenced enclosures or in buildings under the control of the owner, sealing the disconnecting means and performing approved weekly recorded inspections

9.2.3.4 Where the overcurrent protection permitted by 9.2.3 is installed, the overcurrent protection device shall be rated to carry indefinitely the sum of the locked rotor current of the largest pump motor and the full-load current of all of the other pump motors and accessory equipment.

9.2.3.4.1 Alternatively, compliance with 9.2.3.4 shall be based on an assembly listed for fire pump service that complies with the following:

- (1) The overcurrent protection device shall not open within 2 minutes at 600 percent full-load current.
- (2) The overcurrent protection device shall not open with a restart transient of 24 times the full-load current.
- (3) The overcurrent protection device shall not open within 10 minutes at 300 percent full-load current.
- (4) The trip point for circuit breakers shall not be field adjustable.

9.2.3.4.2 Overcurrent Device Selection. An instantaneous trip circuit breaker shall be permitted in lieu of the overcurrent devices specified in 10.8.2.2(2) provided it is part of a transfer switch assembly listed for fire pump service and complies with 9.2.3.4.1.

9.3 Alternate Power.

9.3.1 Unless there is an installed power arrangement as described in 9.3.3, at least one alternate source of power shall be provided for high-rise buildings or where the height of the structure is beyond the pumping capacity of the fire department apparatus.

9.3.2* Other Sources. Except for an arrangement described in 9.3.3, at least one alternate source of power shall be provided where the normal source is not reliable.

9.3.3 An alternate source of power for the primary fire pump shall not be required where a backup engine-driven fire pump, backup steam turbine-driven fire pump, or backup electric motor-driven fire pump with independent power source meeting 9.2.2 is installed in accordance with this standard.

9.3.4 Where provided, the alternate source of power shall be supplied from one of the following sources:

- (1) A generator installed in accordance with Section 9.6
- (2) One of the sources identified in 9.2.2(1), 9.2.2(2), 9.2.2(3), or 9.2.2(5) where the power is provided independent of the normal source of power

9.3.5 Where provided, the alternate supply shall be arranged so that the power to the fire pump is not disrupted when overhead lines are de-energized for fire department operations.

9.3.6 Two or More Alternate Sources. Where the alternate source consists of two or more sources of power and one of the sources is a dedicated feeder derived from a utility service separate from that used by the normal source, the disconnecting means, overcurrent protective device, and conductors shall not be required to meet the requirements of Section 9.2 and shall be permitted to be installed in accordance with *NFPA 70*.

9.4* Voltage Drop.

9.4.1 Unless the requirements of 9.4.2 or 9.4.3 are met, the voltage at the controller line terminals shall not drop more than 15 percent below normal (controller-rated voltage) under motor-starting conditions.

9.4.2 The requirements of 9.4.1 shall not apply to emergency-run mechanical starting. (See 10.5.3.2.)

9.4.3 The requirements of 9.4.1 shall not apply to the bypass mode of a variable speed pressure limiting control (see 10.10.3), provided a successful start can be demonstrated on the standby gen-set.

9.4.4 The voltage at the contactor(s) load terminals to which the motor is connected shall not drop more than 5 percent below the voltage rating of the motor when the motor is operating at 115 percent of the full-load current rating of the motor.

9.4.4.1 Wiring from the controller(s) to the pump motor shall be in rigid metal conduit, intermediate metal conduit, electrical metallic tubing, liquidtight flexible metal conduit, or liquidtight flexible nonmetallic conduit Type LFNC-B, listed Type MC cable with an impervious covering, or Type MI cable.

9.4.4.2 Electrical connections at motor terminal boxes shall be made with a listed means of connection.

9.4.4.3 Twist-on insulation-piercing type and soldered wire connectors shall not be permitted to be used for this purpose.

9.5 Motors.

9.5.1 General.

9.5.1.1 All motors shall comply with NEMA MG-1, *Motors and Generators*, and shall be marked as complying with NEMA Design B standards for three-phase motors or NEMA Design N or L standards for single-phase motors, and shall be specifically listed for fire pump service. [See Table 9.5.1.1(a), Table 9.5.1.1(b), and Table 9.5.1.1(c).]

9.5.1.1.1 Single-phase motors shall be used only in across-the-line starting applications.

9.5.1.1.2 The requirements of 9.5.1.1 shall not apply to direct-current, high-voltage (over 600 V), large-horsepower [over 500 hp (373 kW)], single-phase, universal-type, or wound-rotor motors, which shall be permitted to be used where approved.

9.5.1.1.3 Part-winding motors shall have a 50-50 winding ratio in order to have equal currents in both windings while running at nominal speed.

9.5.1.4* Motors Used with Variable Speed Controllers.

9.5.1.4.1 Motors shall meet the applicable requirements of NEMA MG-1, *Motors and Generators*, Part 30 or 31.

9.5.1.4.2 Motors shall be listed, suitable, and marked for inverter duty.

9.5.1.4.3 Listing shall not be required if 9.5.1.2 applies.

9.5.1.5* The corresponding values of locked rotor current for motors rated at other voltages shall be determined by multiplying the values shown by the ratio of 460 V to the rated voltage in Table 9.5.1.1(a).

Table 9.5.1.1(a) Horsepower and Locked Rotor Current Motor Designation for Three-Phase NEMA Design B Motors

Rated Horsepower	Locked Rotor Current Three-Phase 230 V at 60 Hertz (A)*	Motor Designation (NFA 70, Locked Rotor Indicating Code Letter) "F" to and Including
1	30	N
1½	40	M
2	50	L
3	64	K
5	92	J
7½	127	H
10	162	H
15	232	G
20	290	G
25	365	G
30	435	G
40	580	G
50	725	G
60	870	G
75	1085	G
100	1450	G
125	1815	G
150	2170	G
200	2900	G
250	3650	G
300	4400	G
350	5100	G
400	5800	G
450	6500	G
500	7250	G

*Locked rotor current values are maximums.

Table 9.5.1.1(b) Horsepower and Locked Rotor Current Motor Designation for Single Phase NEMA Design N and L Motors

Rated Horsepower	Locked Rotor Current Single-Phase 115 V at 60 Hertz (A)*		Locked Rotor Current Single-Phase 230 V at 60 Hertz (A)*	
	Design N	Design L	Design N	Design L
⅙	20	—	12	—
¼	26	—	15	—
⅓	31	—	18	—
½	45	45	25	25
¾	61	61	35	35
1	80	80	45	45
1½	—	—	—	50
2	—	—	—	65
3	—	—	—	90
5	—	—	—	135
7½	—	—	—	200
10	—	—	—	260

*Locked rotor current values are maximums.

9.5.1.6 Code letters of motors for all other voltages shall conform with those shown for 460 V in Table 9.5.1.1(a).

Table 9.5.1.1(c) Horsepower and Locked Rotor Current Motor Designation for Three-Phase, 380 V, 50 Hertz, NEMA Design B Motors

Rated Horsepower	Locked Rotor Current Three-Phase 380 V at 50 Hertz (A) ^a	Motor Designation (NFPA 70 Locked Rotor Indicating Code Letter) "F" to and Including
1	20	P
1½	27	N
2	34	M
3	43	L
5	61	K
7½	84	J
10	107	H
15	154	H
20	194	H
25	243	H
30	289	H
40	387	H
50	482	H
60	578	H
75	722	H
100	965	H
125	1207	H
150	1441	H
200	1927	H
250	2534	H
300	3026	H
350	3542	H
400	4046	H
450	4539	H
500	5069	H

^aLocked rotor current values are maximums.

9.5.1.7 All motors shall be rated for continuous duty.

9.5.1.8 Electric motor-induced transients shall be coordinated with the provisions of 10.4.3.3 to prevent nuisance tripping of motor controller protective devices.

9.5.1.9 Motors for Vertical Shaft Turbine-Type Pumps.

9.5.1.9.1 Motors for vertical shaft turbine-type pumps shall be dripproof, squirrel-cage induction type.

9.5.1.9.2 The motor shall be equipped with a nonreverse ratchet.

9.5.2 Current Limits.

9.5.2.1 The motor capacity in horsepower shall be such that the maximum motor current in any phase under any condition of pump load and voltage unbalance shall not exceed the motor-rated full-load current multiplied by the service factor.

9.5.2.2 The following shall apply to the service factor:

- (1) The maximum service factor at which a motor shall be used is 1.15.
- (2) Where the motor is used with a variable speed pressure limiting controller, the service factor shall not be used.

9.5.2.3 These service factors shall be in accordance with NEMA MG-1, *Motors and Generators*.

9.5.2.4 General-purpose (open and dripproof) motors, totally enclosed fan-cooled (TEFC) motors, and totally enclosed nonventilated (TENV) motors shall not have a service factor larger than 1.15.

9.5.2.5 Motors used at altitudes above 3300 ft (1000 m) shall be operated or derated according to NEMA MG-1, *Motors and Generators*, Part 14.

9.5.3 Marking.

9.5.3.1 Marking of motor terminals shall be in accordance with NEMA MG-1, *Motors and Generators*, Part 2.

9.5.3.2 A motor terminal connecting diagram for multiple lead motors shall be furnished by the motor manufacturer.

9.6 On-Site Standby Generator Systems.

9.6.1 Capacity.

9.6.1.1 Where on-site generator systems are used to supply power to fire pump motors to meet the requirements of 9.3.2, they shall be of sufficient capacity to allow normal starting and running of the motor(s) driving the fire pump(s) while supplying all other simultaneously operated load(s) while meeting the requirements of Section 9.4.

9.6.1.2 A tap ahead of the on-site generator disconnecting means shall not be required.

9.6.2* Power Sources.

9.6.2.1 On-site standby generator systems shall comply with Section 9.4 and shall meet the requirements of Level 1, Type 10, Class X systems of NFPA 110.

9.6.2.2 The generator shall run and continue to produce rated nameplate power without shutdown or derate for alarms and warnings or failed engine sensors, except for overspeed shutdown.

9.6.2.3 The generator fuel supply capacity shall be sufficient to provide 8 hours of fire pump operation at 100 percent of the rated pump capacity in addition to the supply required for other demands.

9.6.3 Sequencing. Automatic sequencing of the fire pumps shall be permitted in accordance with 10.5.2.5.

9.6.4 Transfer of Power. Transfer of power to the fire pump controller between the normal supply and one alternate supply shall take place within the pump room.

9.6.5* Protective Devices.

9.6.5.1 Protective devices installed in the on-site power source circuits at the generator shall allow instantaneous pickup of the full pump room load and shall comply with *NFPA 70*, Section 700.28.

9.6.5.2 Circuit breakers shall have supervision by remote monitoring.

9.6.5.3 The fire pump circuit breaker shall not be required to be coordinated with the generator power source protective device, provided it is used in an individual branch circuit and is coordinated with all other line side protective devices.

9.7 Junction Boxes. Where fire pump wiring to or from a fire pump controller is routed through a junction box, the following requirements shall be met:

- (1) The junction box shall be securely mounted.
- (2)* Mounting and installation of a junction box shall not violate the enclosure type rating of the fire pump controller(s).
- (3)* Mounting and installation of a junction box shall not violate the integrity of the fire pump controller(s) and shall not affect the short circuit rating of the controller(s).
- (4) As a minimum, a Type 2, dripproof enclosure (junction box) shall be used. The enclosure shall be listed to match the fire pump controller enclosure type rating.
- (5) Terminals, junction blocks, and splices, where used, shall be listed.
- (6) Neither a fire pump controller nor a fire pump power transfer switch, where provided, shall not be used as a junction box to supply other equipment, including a pressure maintenance (jockey) pump(s). (*See 10.3.4.5.1 and 10.3.4.6.*)
- (7) Neither a fire pump controller nor a fire pump power transfer switch shall be used as a junction box for wire splices.

9.8 Listed Electrical Circuit Protective System to Controller Wiring.

9.8.1* Where single conductors (individual conductors) are used, they shall be terminated in a separate junction box.

9.8.1.1 The junction box shall be installed ahead of the fire pump controller, a minimum of 12 in. (305 mm) beyond the fire-rated wall or floor bounding the fire zone.

9.8.1.2 Single conductors (individual conductors) shall not enter the fire pump enclosure separately.

9.8.2* Where required by the manufacturer of a listed electrical circuit protective system, by *NFPA 70*, or by the listing, the raceway between a junction box and the fire pump controller shall be sealed at the junction box end as required and in accordance with the instructions of the manufacturer. (*See NFPA 70, Article 695.*)

9.8.3 Standard wiring between the junction box and the controller shall be considered acceptable.

9.9 Raceway Terminations.

9.9.1 Listed conduit hubs shall be used to terminate raceway (conduit) to the fire pump controller.

9.9.2 The type rating of the conduit hub(s) shall be at least equal to that of the fire pump controller.

9.9.3 The installation instructions of the manufacturer of the fire pump controller shall be followed.

9.9.4 Alterations to the fire pump controller, other than conduit entry as allowed by *NFPA 70* shall be approved by the authority having jurisdiction.

Chapter 10 Electric-Drive Controllers and Accessories

10.1 General.

10.1.1 Application.

10.1.1.1 This chapter covers the minimum performance and testing requirements for controllers and transfer switches for electric motors driving fire pumps.

10.1.1.2 Accessory devices, including fire pump alarm and signaling means, are included where necessary to ensure the minimum performance of the equipment mentioned in 10.1.1.1.

10.1.2 Performance and Testing.

10.1.2.1 Listing. All controllers and transfer switches shall be specifically listed for electric motor-driven fire pump service.

10.1.2.2* Marking.

10.1.2.2.1 The controller and transfer switch shall be suitable for the available short-circuit current at the line terminals of the controller and transfer switch.

10.1.2.2.2 The controller and transfer switch shall be marked "Suitable for use on a circuit capable of delivering not more than ___ amperes RMS symmetrical at ___ volts ac," or "___ amperes RMS symmetrical at ___ volts ac short-circuit current rating," or equivalent, where the blank spaces shown shall have appropriate values filled in for each installation.

10.1.2.3 Preshipment. All controllers shall be completely assembled, wired, and tested by the manufacturer before shipment from the factory.

10.1.2.3.1 Controllers shipped in sections shall be completely assembled, wired, and tested by the manufacturer before shipment from the factory.

10.1.2.3.2 Such controllers shall be reassembled in the field, and the proper assembly shall be verified by the manufacturer or designated representative.

10.1.2.4 Service Equipment Listing. All controllers and transfer switches shall be listed as "suitable for use as service equipment" where so used.

10.1.2.5 Additional Marking.

10.1.2.5.1 All controllers shall be marked "Electric Fire Pump Controller" and shall show plainly the name of the manufacturer, identifying designation, maximum operating pressure, enclosure type designation, and complete electrical rating.

10.1.2.5.2 Where multiple pumps serve different areas or portions of the facility, an appropriate sign shall be conspicuously attached to each controller indicating the area, zone, or portion of the system served by that pump or pump controller.

10.1.2.6 Service Arrangements. It shall be the responsibility of the pump manufacturer or its designated representative to make necessary arrangements for the services of a manufacturer's representative when needed for service and adjustment of the equipment during the installation, testing, and warranty periods.

10.1.2.7 State of Readiness. The controller shall be in a fully functional state within 10 seconds upon application of ac power.

10.1.3* Design. All electrical control equipment design shall comply with *NFPA 70*, Article 695, and other applicable documents.

10.2 Location.

10.2.1* Controllers shall be located as close as is practical to the motors they control and shall be within sight of the motors.

10.2.2 Controllers shall be located or protected so that they will not be damaged by water escaping from pumps or pump connections.

10.2.3 Current-carrying parts of controllers shall be not less than 12 in. (305 mm) above the floor level.

10.2.4 Working clearances around controllers shall comply with *NFPA 70*, Article 110.

10.3 Construction.

10.3.1 Equipment. All equipment shall be suitable for use in locations subject to a moderate degree of moisture, such as a damp basement.

10.3.2 Mounting. All equipment shall be mounted in a substantial manner on a single noncombustible supporting structure.

10.3.3 Enclosures.

10.3.3.1* The structure or panel shall be securely mounted in, as a minimum, a National Electrical Manufacturers Association (NEMA) Type 2, dripproof enclosure(s) or an enclosure(s) with an ingress protection (IP) rating of IP31.

10.3.3.2 Where the equipment is located outside, or where special environments exist, suitably rated enclosures shall be used.

10.3.3.3 The enclosure(s) shall be grounded in accordance with *NFPA 70*, Article 250.

10.3.4 Connections and Wiring.

10.3.4.1 All busbars and connections shall be readily accessible for maintenance work after installation of the controller.

10.3.4.2 All busbars and connections shall be arranged so that disconnection of the external circuit conductors will not be required.

10.3.4.3 Means shall be provided on the exterior of the controller to read all line currents and all line voltages with an accuracy within ± 5 percent of motor nameplate voltage and current.

10.3.4.4 Continuous-Duty Basis.

10.3.4.4.1 Unless the requirements of 10.3.4.4.2 are met, busbars and other wiring elements of the controller shall be designed on a continuous-duty basis.

10.3.4.4.2 The requirements of 10.3.4.4.1 shall not apply to conductors that are in a circuit only during the motor starting period, which shall be permitted to be designed accordingly.

10.3.4.5 Field Connections.

10.3.4.5.1 A fire pump controller shall not be used as a junction box to supply other equipment.

10.3.4.5.2 No undervoltage, phase loss, frequency sensitive, or other device(s) shall be field installed that automatically or manually prohibits electrical actuation of the motor contactor.

10.3.4.5.3 Except as provided in 4.20.2.2(1) and 10.9.4, remote shutdown or interlock to prevent normal operation shall not be permitted unless approved by the authority having jurisdiction.

10.3.4.6 Electrical supply conductors for pressure maintenance (jockey or make-up) pump(s) shall not be connected to the fire pump controller.

10.3.5 Protection of Control Circuits.

10.3.5.1 Circuits that are necessary for proper operation of the controller shall not have overcurrent protective devices connected in them.

10.3.5.2 The secondary of the transformer and control circuitry shall be permitted to be ungrounded except as required in 10.6.5.4.

10.3.6* External Operation. All switching equipment for manual use in connecting or disconnecting or starting or stopping the motor shall be externally operable.

10.3.7 Electrical Diagrams and Instructions.

10.3.7.1 An electrical schematic diagram shall be provided and permanently attached to the inside of the controller enclosure.

10.3.7.2 All the field wiring terminals shall be plainly marked to correspond with the field connection diagram furnished.

10.3.7.3* Complete instructions covering the operation of the controller shall be provided and conspicuously mounted on the controller.

10.3.7.4 The installation instructions of the manufacturer of the fire pump controller shall be followed.

10.3.8 Marking.

10.3.8.1 Each motor control device and each switch and circuit breaker shall be marked to plainly indicate the name of the manufacturer, the designated identifying number, and the electrical rating in volts, horsepower, amperes, frequency, phases, and so forth, as appropriate.

10.3.8.2 The markings shall be so located as to be visible after installation.

10.4 Components.

10.4.1* Voltage Surge Arrester.

10.4.1.1 Unless the requirements of 10.4.1.3 or 10.4.1.4 are met, a voltage surge arrester complying with ANSI/IEEE C62.1, *IEEE Standard for Gapped Silicon-Carbide Surge Arresters for AC Power Circuits*, or ANSI/IEEE C62.11, *IEEE Standard for Metal-Oxide Surge Arresters for Alternating Current Power Circuits (>1 kV)*, shall be installed from each phase to ground. (See 10.3.3.3.)

10.4.1.2 The surge arrester shall be rated to suppress voltage surges above line voltage.

10.4.1.3 The requirements of 10.4.1.1 and 10.4.1.2 shall not apply to controllers rated in excess of 600 V. (See Section 10.6.)

10.4.1.4 The requirements of 10.4.1.1 and 10.4.1.2 shall not apply where the controller can withstand without damage a 10 kV impulse in accordance with ANSI/IEEE C62.41, *IEEE Recommended Practice for Surge Voltages in Low-Voltage AC Power Circuits*,

or where the controller is listed to withstand surges and impulses in accordance with ANSI/UL 1449, *Standard for Surge Protective Devices*.

10.4.2 Isolating Switch.

10.4.2.1 General.

10.4.2.1.1 The isolating switch shall be a manually operable motor circuit switch or a molded case switch having a horsepower rating equal to or greater than the motor horsepower.

10.4.2.1.2* A molded case switch having an ampere rating not less than 115 percent of the motor rated full-load current and also suitable for interrupting the motor locked rotor current shall be permitted.

10.4.2.1.3 A molded case isolating switch shall be permitted to have self-protecting instantaneous short-circuit overcurrent protection, provided that this switch does not trip unless the circuit breaker in the same controller trips.

10.4.2.2 Externally Operable. The isolating switch shall be externally operable.

10.4.2.3* Ampere Rating. The ampere rating of the isolating switch shall be at least 115 percent of the full-load current rating of the motor.

10.4.2.4 Warning.

10.4.2.4.1 Unless the requirements of 10.4.2.4.2 are met, the following warning shall appear on or immediately adjacent to the isolating switch:

WARNING

DO NOT OPEN OR CLOSE THIS SWITCH WHILE
THE CIRCUIT BREAKER (DISCONNECTING MEANS)
IS IN CLOSED POSITION.

10.4.2.4.2 Instruction Label. The requirements of 10.4.2.4.1 shall not apply where the requirements of 10.4.2.4.2.1 and 10.4.2.4.2.2 are met.

10.4.2.4.2.1 Where the isolating switch and the circuit breaker are so interlocked that the isolating switch can be neither opened nor closed while the circuit breaker is closed, the warning label shall be permitted to be replaced with an instruction label that directs the order of operation.

10.4.2.4.2.2 This label shall be permitted to be part of the label required by 10.3.7.3.

10.4.2.5 Operating Handle.

10.4.2.5.1 Unless the requirements of 10.4.2.5.2 are met, the isolating switch operating handle shall be provided with a spring latch that shall be so arranged that it requires the use of the other hand to hold the latch released in order to permit opening or closing of the switch.

10.4.2.5.2 The requirements of 10.4.2.5.1 shall not apply where the isolating switch and the circuit breaker are so interlocked that the isolating switch can be neither opened nor closed while the circuit breaker is closed.

10.4.3 Circuit Breaker (Disconnecting Means).

10.4.3.1* General. The motor branch circuit shall be protected by a circuit breaker that shall be connected directly to the

load side of the isolating switch and shall have one pole for each ungrounded circuit conductor.

10.4.3.2 Mechanical Characteristics. The circuit breaker shall have the following mechanical characteristics:

- (1) It shall be externally operable. (*See 10.3.6.*)
- (2) It shall trip free of the handle.
- (3) A nameplate with the legend "Circuit breaker — disconnecting means" in letters not less than $\frac{3}{8}$ in. (10 mm) high shall be located on the outside of the controller enclosure adjacent to the means for operating the circuit breaker.

10.4.3.3* Electrical Characteristics.

10.4.3.3.1 The circuit breaker shall have the following electrical characteristics:

- (1) A continuous current rating not less than 115 percent of the rated full-load current of the motor
- (2) Overcurrent-sensing elements of the nonthermal type
- (3) Instantaneous short-circuit overcurrent protection
- (4)* An adequate interrupting rating to provide the suitability rating of the controller discussed in 10.1.2.2
- (5) Capability of allowing normal and emergency starting and running of the motor without tripping (*see 10.5.3.2*)
- (6) An instantaneous trip setting of not more than 20 times the full-load current

10.4.3.3.1.1* The circuit breaker shall not trip when starting a motor from rest in the across-the-line (direct-on-line) mode, whether or not the controller is of the reduced inrush starting type.

10.4.3.3.1.2* The circuit breaker shall not trip when power is interrupted from a running pump, or if the pump is restarted in less than 3 seconds after being shut down. If a control circuit preventing a re-start within 3 seconds is provided, this requirement shall not apply.

10.4.3.3.2* Current limiters, where integral parts of the circuit breaker, shall be permitted to be used to obtain the required interrupting rating, provided all the following requirements are met:

- (1) The breaker shall accept current limiters of only one rating.
- (2) The current limiters shall hold 300 percent of full-load motor current for a minimum of 30 minutes.
- (3) The current limiters, where installed in the breaker, shall not open at locked rotor current.
- (4) A spare set of current limiters of correct rating shall be kept readily available in a compartment or rack within the controller enclosure.

10.4.4 Locked Rotor Overcurrent Protection. The only other overcurrent protective device that shall be required and permitted between the isolating switch and the fire pump motor shall be located within the fire pump controller and shall possess the following characteristics:

- (1) For a squirrel-cage or wound-rotor induction motor, the device shall be of the time-delay type having tripping times as follows:
 - (a) Between 8 seconds and 20 seconds at locked rotor current
 - (b) Three minutes at a minimum of 300 percent of motor full-load current

- (2) For a direct-current motor, the device shall be as follows:
 - (a) Of the instantaneous type
 - (b) Calibrated and set at a minimum of 400 percent of motor full-load current
- (3) There shall be visual means or markings clearly indicated on the device that proper settings have been made.
- (4)* It shall be possible to reset the device for operation immediately after tripping, with the tripping characteristics thereafter remaining unchanged.
- (5) Tripping shall be accomplished by opening the circuit breaker, which shall be of the external manual reset type.

10.4.5 Motor Starting Circuitry.

10.4.5.1 Motor Contactor. The motor contactor shall be horsepower rated and shall be of the magnetic type with a contact in each ungrounded conductor.

10.4.5.1.1 Running contactors shall be sized for both the locked rotor currents and the continuous running currents encountered.

10.4.5.1.2 Starting contactors shall be sized for both the locked rotor current and the acceleration (starting) encountered.

10.4.5.2 Timed Acceleration.

10.4.5.2.1 For electrical operation of reduced-voltage controllers, timed automatic acceleration of the motor shall be provided.

10.4.5.2.2 The period of motor acceleration shall not exceed 10 seconds.

10.4.5.3 Starting Resistors. Starting resistors shall be designed to permit one 5-second starting operation every 80 seconds for a period of not less than 1 hour.

10.4.5.4 Starting Reactors and Autotransformers.

10.4.5.4.1 Starting reactors and autotransformers shall comply with the requirements of ANSI/UL 508, *Standard for Industrial Control Equipment*, Table 92.1.

10.4.5.4.2 Starting reactors and autotransformers over 200 hp shall be permitted to be designed to Part 3 of ANSI/UL 508, *Standard for Industrial Control Equipment*, Table 92.1, in lieu of Part 4.

10.4.5.5 Soft Start Units.

10.4.5.5.1 Soft start units shall be horsepower rated or specifically designed for the service.

10.4.5.5.2 The bypass contactor shall comply with 10.4.5.1.

10.4.5.5.3 Soft start units shall comply with the duty cycle requirements in accordance with 10.4.5.4.1 and 10.4.5.4.2.

10.4.5.6 Operating Coils. For controllers of 600 V or less, the operating coil(s) for any motor contactor(s) and any bypass contactor(s), if provided, shall be supplied directly from the main power voltage and not through a transformer.

10.4.5.7* Single-Phase Sensors in Controller.

10.4.5.7.1 Sensors shall be permitted to prevent a three-phase motor from starting under single-phase condition.

10.4.5.7.2 Such sensors shall not cause disconnection of the motor if it is running at the time of single-phase occurrence.

10.4.5.7.3 Such sensors shall be monitored to provide a local visible signal in the event of malfunction of the sensors.

10.4.5.8 No ground fault protection (tripping) shall be allowed.

10.4.5.9 A ground fault alarm shall be permitted.

10.4.6* Signal Devices on Controller.

10.4.6.1 Power Available Visible Indicator.

10.4.6.1.1 A visible indicator shall monitor the availability of power in all phases at the line terminals of the motor contactor or of the bypass contactor, if provided.

10.4.6.1.2 If the visible indicator is a pilot lamp, it shall be accessible for replacement.

10.4.6.1.3 When power is supplied from multiple power sources, monitoring of each power source for phase loss shall be permitted at any point electrically upstream of the line terminals of the contactor, provided all sources are monitored.

10.4.6.2 Phase Reversal.

10.4.6.2.1 Phase reversal of the power source to which the line terminals of the motor contactor are connected shall be indicated by a visible indicator.

10.4.6.2.2 When power is supplied from multiple power sources, monitoring of each power source for phase reversal shall be permitted at any point electrically upstream of the line terminals of the contactor, provided all sources are monitored.

10.4.7* Fire Pump Alarm and Signal Devices Remote from Controller.

10.4.7.1 Where the pump room is not constantly attended, audible or visible signals powered by a source not exceeding 125 V shall be provided at a point of constant attendance.

10.4.7.2 These fire pump alarms and signals shall indicate the information in 10.4.7.2.1 through 10.4.7.2.4.

10.4.7.2.1 Pump or Motor Running. The signal shall actuate whenever the controller has operated into a motor-running condition.

10.4.7.2.1.1 This signal circuit shall be energized by a separate reliable supervised power source or from the pump motor power, reduced to not more than 125 V.

10.4.7.2.2 Loss of Phase.

10.4.7.2.2.1 The fire pump alarm shall actuate whenever any phase at the line terminals of the motor contactor is lost.

10.4.7.2.2.2 All phases shall be monitored. Such monitoring shall detect loss of phase whether the motor is running or at rest.

10.4.7.2.2.3 When power is supplied from multiple power sources, monitoring of each power source for phase loss shall be permitted at any point electrically upstream of the line terminals of the contactor, provided all sources are monitored.

10.4.7.2.3 Phase Reversal. This fire pump alarm circuit shall be energized by a separate reliable supervised power source or from the pump motor power, reduced to not more than 125 V. (See 10.4.6.2.)

10.4.7.2.3.1 The fire pump alarm shall actuate whenever the three-phase power at the line terminals of the motor contactor is reversed.

10.4.7.2.4 Controller Connected to Alternate Source.

10.4.7.2.4.1 Where two sources of power are supplied to meet the requirements of 9.3.2, this signal shall indicate whenever the alternate source is the source supplying power to the controller.

10.4.7.2.4.2 This signal circuit shall be energized by a separate, reliable, supervised power source, reduced to not more than 125 V.

10.4.8 Controller Contacts for Remote Indication. Controllers shall be equipped with contacts (open or closed) to operate circuits for the conditions in 10.4.7.2.1 through 10.4.7.2.3 and when a controller is equipped with a transfer switch in accordance with 10.4.7.2.4.

10.5 Starting and Control.

10.5.1* Automatic and Nonautomatic.

10.5.1.1 An automatic controller shall be self-acting to start, run, and protect a motor.

10.5.1.2 An automatic controller shall be arranged to start the driver upon actuation of a pressure switch or nonpressure switch actuated in accordance with 10.5.2.1 or 10.5.2.2.

10.5.1.3 An automatic controller shall be operable also as a nonautomatic controller.

10.5.1.4 A nonautomatic controller shall be actuated by manually initiated electrical means and by manually initiated mechanical means.

10.5.2 Automatic Controller.

10.5.2.1* Water Pressure Control.

10.5.2.1.1 Pressure-Actuated Switches.

10.5.2.1.1.1 A pressure-actuated switch or electronic pressure sensor having adjustable high- and low-calibrated set-points shall be provided as part of the controller.

10.5.2.1.1.2 For multistage multipoint pumps, a dedicated pressure-actuated switch or electronic pressure sensor as described in 10.5.2.1.1.1 shall be provided for each discharge port of the pump as part of the controller.

10.5.2.1.1.3 For multistage multipoint pumps, a dedicated pressure recorder as described in 10.5.2.1.8.2 shall be provided for each discharge port of the pump as part of the controller.

10.5.2.1.1.4 The requirements of 10.5.2.1.1.1 and 10.5.2.1.1.2 shall not apply in a non-pressure-actuated controller, where the pressure-actuated switch shall not be required.

10.5.2.1.2 There shall be no pressure snubber or restrictive orifice employed within the pressure switch or pressure responsive means.

10.5.2.1.3* Where an electronic pressure sensor is used to automatically control fire pump operation, the fire pump controller shall monitor the transducer during automatic testing.

10.5.2.1.3.1* Where the transducer pressure reading exceeds 10 psi (0.68 bar) during any automatic pump start that was

initiated by the solenoid drain valve, as required by 10.5.2.1.8.3, the controller shall activate a visual and audible alarm, that can be silenced.

10.5.2.1.3.2* Where an electronic pressure sensor is used to control fire pump operation, the fire pump controller shall monitor for and provide a signal for the following electronic pressure sensor conditions:

- (1) Any time the transducer output is less than 10 percent of rated span or below its rated zero pressure output
- (2) Any time the pressure transducer reading is more than 10 percent above its rated full-scale output

10.5.2.1.4 There shall be no valve or other restrictions within the controller ahead of the pressure switch or pressure responsive means.

10.5.2.1.5 This switch shall be responsive to water pressure in the fire protection system.

10.5.2.1.6 The pressure sensing element of the switch shall be capable of withstanding a momentary surge pressure of 400 psi (27.6 bar) or 133 percent of fire pump controller rated operating pressure, whichever is higher, without losing its accuracy.

10.5.2.1.7 Suitable provision shall be made for relieving pressure to the pressure-actuated switch to allow testing of the operation of the controller and the pumping unit. [See Figure A.4.31(a) and Figure A.4.31(b).]

10.5.2.1.8 Water pressure control shall be in accordance with 10.5.2.1.8.1 through 10.5.2.1.8.6.

10.5.2.1.8.1 Pressure switch actuation at the low adjustment setting shall initiate pump starting sequence (if pump is not already in operation).

10.5.2.1.8.2* A pressure recording device shall record the pressure in each fire pump controller pressure-sensing line at the input to the controller.

10.5.2.1.8.3 The pressure recorder shall be listed as part of the controller or shall be a separately listed unit installed to sense the pressure at the input of the controller.

10.5.2.1.8.4 The recorder shall be capable of operating for at least 7 days without being reset or rewind.

10.5.2.1.8.5 The pressure sensing element of the recorder shall be capable of withstanding a momentary surge pressure of at least 400 psi (27.6 bar) or 133 percent of fire pump controller rated operating pressure, whichever is greater, without losing its accuracy.

10.5.2.1.8.6 For variable speed pressure limiting control, a ½ in. (12.7 mm) nominal size inside diameter pressure line shall be connected to the discharge piping at a point recommended by the variable speed control manufacturer. The connection shall be between the discharge check valve and the discharge control valve.

10.5.2.1.8.7 Access to the recorder data shall not require opening the controller, nor require taking the controller out of service.

10.5.2.2 Nonpressure Switch-Actuated Automatic Controller.

10.5.2.2.1 Nonpressure switch-actuated automatic fire pump controllers shall commence the controller's starting sequence by the automatic opening of a remote contact(s).

10.5.2.2.2 The pressure switch shall not be required.

10.5.2.2.3 There shall be no means capable of stopping the fire pump motor except those on the fire pump controller.

10.5.2.3 Fire Protection Equipment Control.

10.5.2.3.1 Where the pump supplies special water control equipment (deluge valves, dry pipe valves, etc.), it shall be permitted to start the motor before the pressure-actuated switch(es) would do so.

10.5.2.3.2 Under such conditions the controller shall be equipped to start the motor upon operation of the fire protection equipment.

10.5.2.3.3 Starting of the motor shall be initiated by the opening of the control circuit loop containing this fire protection equipment.

10.5.2.4 Manual Electric Control at Remote Station. Where additional control stations for causing nonautomatic continuous operation of the pumping unit, independent of the pressure-actuated switch, are provided at locations remote from the controller, such stations shall not be operable to stop the motor.

10.5.2.5 Sequence Starting of Pumps.

10.5.2.5.1 The controller for each unit of multiple pump units shall incorporate a sequential timing device to prevent any one driver from starting simultaneously with any other driver.

10.5.2.5.2 Each pump supplying suction pressure to another pump shall be arranged to start within 10 seconds before the pump it supplies.

10.5.2.5.2.1 Starting of the motor shall be initiated by the opening of the control circuit loop containing this fire protection equipment.

10.5.2.5.3 If water requirements call for more than one pumping unit to operate, the units shall start at intervals of 5 to 10 seconds.

10.5.2.5.4 Failure of a leading driver to start shall not prevent subsequent pumping units from starting.

10.5.2.6 External Circuits Connected to Controllers.

10.5.2.6.1 External control circuits that extend outside the fire pump room shall be arranged so that failure of any external circuit (open, ground-fault, or short circuit) shall not prevent operation of pump(s) from all other internal or external means.

10.5.2.6.2 Breakage, disconnecting, shorting of the wires, ground fault, or loss of power to these circuits shall be permitted to cause continuous running of the fire pump but shall not prevent the controller(s) from starting the fire pump(s) due to causes other than these external circuits.

10.5.2.6.3 All control conductors within the fire pump room that are not fault tolerant as described in 10.5.2.6.1 and 10.5.2.6.2 shall be protected against mechanical injury.

10.5.2.7 Automatic Testing.

10.5.2.7.1 The controller equipment shall be arranged to automatically start, run, and shut down the motor at the minimum no-flow test frequency and duration required by NFPA 25.

10.5.2.7.2 Performance of the automatic testing shall be recorded as a pressure drop indication on the pressure recorder.

10.5.2.7.3 A solenoid valve drain on the pressure control line shall be the initiating means.

10.5.2.7.4 In a non-pressure-actuated controller, the automatic testing shall be permitted to be initiated by a means other than a solenoid valve.

10.5.2.7.5 A visible indicator and audible alarm shall be provided when the controller fails to start from the automatic mode.

10.5.3 Nonautomatic Controller.

10.5.3.1 Manual Electric Control at Controller.

10.5.3.1.1 There shall be a manually operated switch on the control panel so arranged that, when the motor is started manually, its operation cannot be affected by the pressure-actuated switch.

10.5.3.1.2 The arrangement shall also provide that the unit will remain in operation until manually shut down.

10.5.3.2* Emergency-Run Mechanical Control at Controller.

10.5.3.2.1 The controller shall be equipped with an emergency-run handle or lever that operates to mechanically close the motor-circuit switching mechanism.

10.5.3.2.1.1 This handle or lever shall provide for nonautomatic continuous running operation of the motor(s), independent of any electric control circuits, magnets, or equivalent devices and independent of the pressure-activated control switch.

10.5.3.2.1.2 Means shall be incorporated for mechanically latching or holding the handle or lever for manual operation in the actuated position.

10.5.3.2.1.3 The mechanical latching shall be designed to be automatic or manual.

10.5.3.2.2 The handle or lever shall be arranged to move in one direction only from the off position to the final position.

10.5.3.2.3 The motor starter shall return automatically to the off position in case the operator releases the starter handle or lever in any position but the full running position.

10.5.3.2.4 The operating handle shall be marked or labeled as to function and operation.

10.5.3.3 Manual Testing of Automatic Operation.

10.5.3.3.1 The controller shall be arranged to manually start the motor by opening the solenoid valve drain when so initiated by the operator.

10.5.3.3.2 For a non-pressure-actuated controller, the manual test shall be permitted to be initiated by a means other than a solenoid valve.

10.5.4 Methods of Stopping. Shutdown shall be accomplished by the methods in 10.5.4.1 and 10.5.4.2.

10.5.4.1 Manual. Manual shutdown shall be accomplished by operation of a pushbutton on the outside of the controller enclosure that, in the case of automatic controllers, shall return the controller to the full automatic position.

10.5.4.2 Automatic Shutdown After Automatic Start. Automatic shutdown shall not be permitted if starting and running causes are present.

10.5.4.2.1 Automatic shutdown shall be permitted only in the following circumstances:

- (1)* During automatic testing in accordance with 10.5.2.7
- (2) Where approved by the authority having jurisdiction

10.5.4.2.2 Where automatic shutdown after automatic start is permitted, a minimum run timer set for at least 10 minutes shall be used.

10.6 Controllers Rated in Excess of 600 V.

10.6.1 Control Equipment. Controllers rated in excess of 600 V shall comply with the requirements of Chapter 10, except as provided in 10.6.2 through 10.6.8.

10.6.2 Provisions for Testing.

10.6.2.1 The provisions of 10.3.4.3 shall not apply.

10.6.2.2 An ammeter(s) shall be provided on the controller with a suitable means for reading the current in each phase.

10.6.2.3 An indicating voltmeter(s), deriving power of not more than 125 V from a transformer(s) connected to the high-voltage supply, shall also be provided with a suitable means for reading each phase voltage.

10.6.3 Disconnecting Under Load.

10.6.3.1 Provisions shall be made to prevent the isolating switch from being opened under load.

10.6.3.2 A load-break disconnecting means shall be permitted to be used in lieu of the isolating switch if the fault closing and interrupting ratings equal or exceed the requirements of the installation.

10.6.4 Pressure-Actuated Switch Location. Special precautions shall be taken in locating the pressure-actuated switch called for in 10.5.2.1 to prevent any water leakage from coming in contact with high-voltage components.

10.6.5 Low-Voltage Control Circuit.

10.6.5.1 The low-voltage control circuit shall be supplied from the high-voltage source through a stepdown transformer(s) protected by high-voltage fuses in each primary line.

10.6.5.2 The transformer power supply shall be interrupted when the isolating switch is in the open position.

10.6.5.3 The secondary of the transformer and control circuitry shall otherwise comply with 10.3.5.

10.6.5.4 One secondary line of the high voltage transformer or transformers shall be grounded unless all control and operator devices are rated for use at the high (primary) voltage.

10.6.5.5 Current Transformers. Unless rated at the incoming line voltage, the secondaries of all current transformers used in the high voltage path shall be grounded.

10.6.6 Indicators on Controller.

10.6.6.1 Specifications for controllers rated in excess of 600 V shall differ from those in 10.4.6.

10.6.6.2 A visible indicator shall be provided to indicate that power is available.

10.6.6.3 The current supply for the visible indicator shall come from the secondary of the control circuit transformer through resistors, if found necessary, or from a small-capacity stepdown transformer, which shall reduce the control transformer secondary voltage to that required for the visible indicator.

10.6.6.4 If the visible indicator is a pilot lamp, it shall be accessible for replacement.

10.6.7 Protection of Personnel from High Voltage. Necessary provisions shall be made, including such interlocks as might be needed, to protect personnel from accidental contact with high voltage.

10.6.8 Disconnecting Means. A contactor in combination with current-limiting motor circuit fuses shall be permitted to be used in lieu of the circuit breaker (disconnecting means) required in 10.4.3.1 if all of the following requirements are met:

- (1) Current-limiting motor circuit fuses shall be mounted in the enclosure between the isolating switch and the contactor and shall interrupt the short-circuit current available at the controller input terminals.
- (2) These fuses shall have an adequate interrupting rating to provide the suitability rating (*see 10.1.2.2*) of the controller.
- (3) The current-limiting fuses shall be sized to hold 600 percent of the full-load current rating of the motor for at least 100 seconds.
- (4) A spare set of fuses of the correct rating shall be kept readily available in a compartment or rack within the controller enclosure.

10.6.9 Locked Rotor Overcurrent Protection.

10.6.9.1 Tripping of the locked rotor overcurrent device required by 10.4.4 shall be permitted to be accomplished by opening the motor contactor coil circuit(s) to drop out the contactor.

10.6.9.2 Means shall be provided to restore the controller to normal operation by an external manually reset device.

10.6.10 Emergency-Run Mechanical Control at Controller.

10.6.10.1 The controller shall comply with 10.5.3.2.1 and 10.5.3.2.2, except that the mechanical latching can be automatic.

10.6.10.2 Where the contactor is latched in, the locked rotor overcurrent protection of 10.4.4 shall not be required.

10.7 Limited Service Controllers.

10.7.1 Limitations. Limited service controllers consisting of automatic controllers for across-the-line starting of squirrel-cage motors of 30 hp or less, 600 V or less, shall be permitted to be installed where such use is acceptable to the authority having jurisdiction.

10.7.2 Requirements. The provisions of Sections 10.1 through 10.5 shall apply, unless specifically addressed in 10.8.2.1 through 10.8.2.3.

10.7.2.1 In lieu of 10.1.2.5.1, each controller shall be marked "Limited Service Controller" and shall show plainly the name of the manufacturer, the identifying designation, the maximum operating pressure, the enclosure type designation, and the complete electrical rating.

10.7.2.2 The controller shall have a short-circuit current rating not less than 10,000 A.

10.7.2.3 The manually operated isolating switch specified in 10.4.2 shall not be required.

10.8* Power Transfer for Alternate Power Supply.

10.8.1 General.

10.8.1.1 Where required by the authority having jurisdiction or to meet the requirements of 9.3.2 where an on-site electrical power transfer device is used for power source selection, such switch shall comply with the provisions of Section 10.8 as well as Sections 10.1, 10.2, and 10.3 and 10.4.1.

10.8.1.2 Manual transfer switches shall not be used to transfer power between the normal supply and the alternate supply to the fire pump controller.

10.8.1.3 No remote device(s) shall be installed that will prevent automatic operation of the transfer switch.

10.8.2* Fire Pump Controller and Transfer Switch Arrangements.

10.8.2.1 Arrangement I (Listed Combination Fire Pump Controller and Power Transfer Switch).

10.8.2.1.1 Self-Contained Power Switching Assembly. Where the power transfer switch consists of a self-contained power switching assembly, such assembly shall be housed in a barriered compartment of the fire pump controller or in a separate enclosure attached to the controller and marked "Fire Pump Power Transfer Switch."

10.8.2.1.2 Isolating Switch.

10.8.2.1.2.1 An isolating switch, complying with 10.4.2, located within the power transfer switch enclosure or compartment shall be provided ahead of the alternate input terminals of the transfer switch.

10.8.2.1.2.2 The isolating switch shall be suitable for the available short circuit of the alternate source.

10.8.2.1.2.3 Circuit Breaker. The transfer switch emergency side shall be provided with a circuit breaker complying with 10.4.3 and 10.4.4.

10.8.2.1.2.4 Cautionary Marking. The fire pump controller and transfer switch (*see 10.8.2.1*) shall each have a cautionary marking to indicate that the isolation switch for both the controller and the transfer switch is opened before servicing the controller, transfer switch, or motor.

10.8.2.1.2.5 Turning off the normal source isolating switch or the normal source circuit breaker shall not inhibit the transfer switch from operating as required by 10.8.3.6.1 through 10.8.3.6.4.

10.8.2.2 Arrangement II (Individually Listed Fire Pump Controller and Power Transfer Switch). The following shall be provided:

- (1) A fire pump controller power transfer switch complying with Sections 9.6 and 10.8 and a fire pump controller shall be provided. The overcurrent protection required by 10.8.2.2(2) and the isolating switch required by 10.8.2.2(4) shall be permitted to be provided in a separate enclosure upstream of the transfer switch.

- (2) The transfer switch overcurrent protection for both the normal and alternate sources shall comply with 9.2.3.4, 9.2.3.4.1, or 9.2.3.4.2.
- (3) The transfer switch overcurrent protection shall be selected or set to indefinitely carry the locked rotor current of the fire pump motor where the alternate source is supplied by a second utility.
- (4) An instantaneous trip circuit breaker shall be permitted in lieu of the overcurrent devices specified in 10.8.2.2(2) provided it is part of a transfer switch assembly listed for fire pump service and complies with 9.2.3.4.1.
- (5) An isolating switch ahead of the alternate source input terminals of the transfer switch shall meet the following requirements:
 - (a) The isolating switch shall be externally operable and lockable in both the closed and the open position.
 - (b) A placard shall be externally installed on the isolating switch stating "Fire Pump Isolating Switch," with letters at least 1 in. (25 mm) in height.
 - (c) A placard shall be placed adjacent to the fire pump controller stating the location of the isolating switch and the location of the key (if the isolating switch is locked).
 - (d) The isolating switch shall be supervised by one of the following methods to indicate when it is not closed:
 - i. Central station, proprietary, or remote station signal service
 - ii. Local signaling service that will cause the sounding of an audible signal at a constantly attended point
 - iii. Locking the isolating switch closed
 - iv. Sealing of isolating switches and approved weekly recorded inspections where isolating switches are located within fenced enclosures or in buildings under the control of the owner
 - (e) This supervision shall operate an audible and visible signal on the transfer switch and permit monitoring at a remote point, where required.
- (6) The isolation switch shall not have short circuit or overcurrent protection as part of the switching mechanism of the isolating switch.
- (7) The transfer switch shall be the delayed transition type with a maximum delay time of 3 seconds.

10.8.2.3 Transfer Switch. Each fire pump shall have its own dedicated transfer switch(es) where a transfer switch(es) is required.

10.8.3 Power Transfer Switch Requirements.

10.8.3.1 Listing. The power transfer switch shall be specifically listed for fire pump service.

10.8.3.2 Suitability. The power transfer switch shall be suitable for the available short-circuit currents at the transfer switch normal and alternate input terminals.

10.8.3.3 Electrically Operated and Mechanically Held. The power transfer switch shall be electrically operated and mechanically held.

10.8.3.4 Horsepower or Ampere Rating.

10.8.3.4.1 Where rated in horsepower, the power transfer switch shall have a horsepower rating at least equal to the motor horsepower.

10.8.3.4.2 Where rated in amperes, the power transfer switch shall have an ampere rating not less than 115 percent of the motor full-load current and also be suitable for switching the motor locked rotor current.

10.8.3.5 Manual Means of Operation.

10.8.3.5.1 A means for safe manual (nonelectrical) operation of the power transfer switch shall be provided.

10.8.3.5.2 This manual means shall not be required to be externally operable.

10.8.3.6 Undervoltage- and Phase-Sensing Devices.

10.8.3.6.1 The power transfer switch shall be provided with undervoltage-sensing devices to monitor all ungrounded lines of the normal power source.

10.8.3.6.2 Where the voltage on any phase of the normal source falls below 85 percent of motor-rated voltage, the power transfer switch shall automatically initiate starting of the standby generator, if provided and not running, and initiate transfer to the alternate source.

10.8.3.6.3 Where the voltage on all phases of the normal source returns to within acceptable limits, the fire pump controller shall be permitted to be retransferred to the normal source.

10.8.3.6.4 Phase reversal of the normal source power (*see 10.4.6.2*) shall cause a simulated normal source power failure upon sensing phase reversal.

10.8.3.6.5 For Arrangement II Units, the sensing of voltage described in 10.8.3.6.2 shall be permitted at the input to the power transfer switch instead of at the load terminals of the fire pump controller circuit breaker.

10.8.3.7 Voltage- and Frequency-Sensing Devices. Unless the requirements of 10.8.3.7.3 are met, the requirements of 10.8.3.7.1 and 10.8.3.7.2 shall apply.

10.8.3.7.1 Voltage- and frequency-sensing devices shall be provided to monitor at least one ungrounded conductor of the alternate power source.

10.8.3.7.2 Transfer to the alternate source shall be inhibited until there is adequate voltage and frequency to serve the fire pump load.

10.8.3.7.3 Where the fire pump controller is marked to indicate that the alternate source is provided by a second utility power source, the requirements of 10.8.3.7.1 and 10.8.3.7.2 shall not apply, and undervoltage-sensing devices shall monitor all ungrounded conductors in lieu of a frequency-sensing device.

10.8.3.8 Visible Indicators. Two visible indicators shall be provided to externally indicate the power source to which the fire pump controller is connected.

10.8.3.9 Retransfer.

10.8.3.9.1 Means shall be provided to delay retransfer from the alternate power source to the normal source until the normal source is stabilized.

10.8.3.9.2 This time delay shall be automatically bypassed if the alternate source fails.

10.8.3.10 In-Rush Currents. Means shall be provided to prevent higher than normal in-rush currents when transferring the fire pump motor from one source to the other.

10.8.3.10.1 The use of an “in-phase monitor” to comply with the requirements of 10.8.3.10 shall be prohibited.

10.8.3.10.2 The use of an intentional delay via an open neutral position of the transfer switch to comply with the requirements of 10.8.3.10 shall be prohibited for Arrangement I.

10.8.3.10.3 The use of an intentional delay via an open neutral position of the transfer switch to comply with the requirements of 10.8.3.10 shall be permitted for Arrangement II.

10.8.3.11* Overcurrent Protection. The power transfer switch shall not have short circuit or overcurrent protection as part of the switching mechanism of the transfer switch.

10.8.3.12 Additional Requirements. The following shall be provided:

- (1) A device to delay starting of the alternate source generator to prevent nuisance starting in the event of momentary dips and interruptions of the normal source
- (2) A circuit loop to the alternate source generator whereby either the opening or closing of the circuit will start the alternate source generator (when commanded by the power transfer switch) (*see 10.8.3.6*)
- (3) A means to prevent sending of the signal for starting of the alternate source generator when commanded by the power transfer switch, if the alternate isolating switch or the alternate circuit breaker is in the open or tripped position

10.8.3.12.1 The alternate isolating switch and the alternate circuit breaker shall be monitored to indicate when one of them is in the open or tripped position, as specified in 10.8.3.12(3).

10.8.3.12.2 Supervision shall operate an audible and visible signal on the fire pump controller/automatic transfer switch combination and permit monitoring at a remote point where required.

10.8.3.13 Momentary Test Switch. A momentary test switch, externally operable, shall be provided on the enclosure that will simulate a normal power source failure.

10.8.3.14 Remote Indication. Auxiliary open or closed contacts mechanically operated by the fire pump power transfer switch mechanism shall be provided for remote indication in accordance with 10.4.8.

10.9 Controllers for Additive Pump Motors.

10.9.1 Control Equipment. Controllers for additive pump motors shall comply with the requirements of Sections 10.1 through 10.5 (and Section 10.8, where required) unless specifically addressed in 10.9.2 through 10.9.5.

10.9.2 Automatic Starting. In lieu of the pressure-actuated switch described in 10.5.2.1, automatic starting shall be capable of being accomplished by the automatic opening of a closed circuit loop containing this fire protection equipment.

10.9.3 Methods of Stopping.

10.9.3.1 Manual shutdown shall be provided.

10.9.3.2 Automatic shutdown shall not be permitted.

10.9.4 Lockout.

10.9.4.1 Where required, the controller shall contain a lockout feature where used in a duty-standby application.

10.9.4.2 Where supplied, this lockout shall be indicated by a visible indicator and provisions for annunciating the condition at a remote location.

10.9.5 Marking. The controller shall be marked "Additive Pump Controller."

10.10* Controllers with Variable Speed Pressure Limiting Control or Variable Speed Suction Limiting Control.

10.10.1 Control Equipment.

10.10.1.1 Controllers equipped with variable speed pressure limiting control or variable speed suction limiting control shall comply with the requirements of Chapter 10, except as provided in 10.10.1 through 10.10.11.

10.10.1.2 Controllers with variable speed pressure limiting control or variable speed suction limiting control shall be listed for fire service.

10.10.1.3 The variable speed pressure limiting control or variable speed suction limiting control shall have a horsepower rating at least equal to the motor horsepower or, where rated in amperes, shall have an ampere rating not less than the motor full-load current.

10.10.1.4 Controllers for motors driving constant torque loads, such as positive displacement water mist or additive (foam) pumps shall be rated for constant torque applications, and the variable frequency drive (VFD) unit in such controllers shall be rated for constant torque motor load.

10.10.2 Additional Marking. In addition to the markings required in 10.1.2.5.1, the controller shall be marked with the maximum ambient temperature rating.

10.10.3* Bypass Operation.

10.10.3.1* Upon failure of the variable speed pressure limiting control to keep the system pressure at or above the set pressure of the variable speed pressure limiting control system, the controller shall bypass and isolate the variable speed pressure limiting control system and operate the pump at rated speed.

10.10.3.1.1 Low Pressure. If the system pressure remains below the set pressure for more than 15 seconds, the bypass operation shall occur.

10.10.3.1.2* Drive Not Operational. If the variable speed drive indicates that it is not operational within 5 seconds, the bypass operation shall occur.

10.10.3.1.3* Means shall be provided to prevent higher than normal in-rush currents when transferring the fire pump motor from the variable speed mode to the bypass mode.

10.10.3.2 When the variable speed pressure limiting control is bypassed, the unit shall remain bypassed until manually restored.

10.10.3.3 The bypass contactors shall be operable using the emergency-run handle or lever defined in 10.5.3.2.

10.10.3.4 Automatic Shutdown. When the variable speed pressure limiting control is bypassed, automatic shutdown of the controller shall be as permitted by 10.5.4.2.

10.10.3.5 When the manual selection means required in 10.10.7.3 is used to initiate a switchover from variable speed to bypass mode, if the pump is running in the variable speed mode and none of the conditions in 10.10.3 that require the controller to initiate the bypass operation exist, the controller shall be arranged to provide a restart delay to allow the motor to be de-energized before it is re-energized in the bypass mode.

10.10.4 Isolation.

10.10.4.1 The variable speed drive shall be line and load isolated when not in operation.

10.10.4.2 The variable speed drive load isolation contactor and the bypass contactor shall be mechanically and electrically interlocked to prevent simultaneous closure.

10.10.5* Circuit Protection.

10.10.5.1 Separate variable speed drive circuit protection shall be provided between the line side of the variable speed drive and the load side of the circuit breaker required in 10.4.3.

10.10.5.2 The circuit protection required in 10.10.5.1 shall be coordinated such that the circuit breaker in 10.4.3 does not trip due to a fault condition in the variable speed circuitry.

10.10.6 Power Quality.

10.10.6.1 Power quality correction equipment shall be located in the variable speed circuit.

10.10.6.1.1 As a minimum, 5 percent line reactance shall be provided.

10.10.6.2* Where higher system voltages or longer cable lengths exist, the cable length and motor requirements shall be coordinated.

10.10.6.3 Coordination shall not be required where the system voltage does not exceed 480 V and cable lengths between the motor and controller do not exceed 100 ft (30.5 m) (*see 10.10.6.2*).

10.10.7 Local Control.

10.10.7.1 All control devices required to keep the controller in automatic operation shall be within lockable enclosures.

10.10.7.2 Except as provided in 10.10.7.2.1, the variable speed pressure sensing element connected in accordance with 10.5.2.1.8.6 shall only be used to control the variable speed drive.

10.10.7.2.1 Where redundant pressure sensing elements are provided as part of a water mist positive displacement pumping unit, they shall be permitted for other system functions.

10.10.7.3 Means shall be provided to manually select between variable speed and bypass mode.

10.10.7.4 Except as provided in 10.10.7.4.2, common pressure control shall not be used for multiple pump installations.

10.10.7.4.1 Each controller pressure sensing control circuit shall operate independently.

10.10.7.4.2 A common pressure control shall be permitted to be used for a water mist positive displacement pumping unit controller.

10.10.8 Indicating Devices on Controller.

10.10.8.1 Drive Failure. A visible indicator shall be provided to indicate when the variable speed drive has failed.

10.10.8.2 Bypass Mode. A visible indicator shall be provided to indicate when the controller is in bypass mode.

10.10.8.3 Variable Speed Pressure Limiting Control Overpressure. Visible indication shall be provided on all controllers equipped with variable speed pressure limiting control to actuate at 115 percent of set pressure.

10.10.9 Controller Contacts for Remote Indication. Controllers shall be equipped with contacts (open or closed) to operate circuits for the conditions in 10.10.8.

10.10.10 System Performance.

10.10.10.1* The controller shall be provided with suitable adjusting means to account for various field conditions.

10.10.10.2 Operation at reduced speed shall not result in motor overheating.

10.10.10.3 The maximum operating frequency shall not exceed line frequency.

10.10.10.4 Within 20 seconds after a demand to start, pumps shall supply and maintain a stable discharge pressure (± 10 percent) throughout the entire range of operation.

10.10.10.4.1 The discharge pressure shall be permitted to restabilize whenever the flow condition changes.

10.10.11 Critical Settings. Means shall be provided and permanently attached to the inside of the controller enclosure to record the following settings:

- (1) Variable speed pressure limiting set point setting
- (2) Pump start pressure
- (3) Pump stop pressure

10.10.12 Variable Speed Drives for Vertical Pumps.

10.10.12.1 The pump supplier shall inform the controller manufacturer of any and all critical resonant speeds within the operating speed range of the pump, which is from zero speed up to full speed.

10.10.12.1.1 The controller shall avoid operating at or ramping through these speeds.

10.10.12.1.2 The controller shall make use of skip frequencies with sufficient bandwidth to avoid exciting the pump into resonance.

10.10.12.2 When water-lubricated pumps with line shaft bearings are installed, the pump manufacturer shall inform the controller manufacturer of the maximum allowed time for water to reach the top bearing under the condition of the lowest anticipated water level of the well or reservoir.

10.10.12.2.1 The controller shall provide a ramp up speed within this time period.

10.10.12.3 The ramp down time shall be approved or agreed to by the pump manufacturer.

10.10.12.4 Any skip frequencies employed and their bandwidth shall be included along with the information required in 10.10.11.

10.10.12.5 Ramp up and ramp down times for water-lubricated pumps shall be included along with the information required in 10.10.11.

Chapter 11 Diesel Engine Drive

11.1 General.

11.1.1 This chapter provides requirements for minimum performance of diesel engine drivers.

11.1.2 Accessory devices, such as monitoring and signaling means, are included where necessary to ensure minimum performance of the aforementioned equipment.

11.1.3* Engine Type.

11.1.3.1 Diesel engines for fire pump drive shall be of the compression ignition type.

11.1.3.2 Spark-ignited internal combustion engines shall not be used.

11.2 Engines.

11.2.1 Listing. Engines shall be listed for fire pump service.

11.2.2 Engine Ratings.

11.2.2.1 Engines shall have a nameplate indicating the listed horsepower rating available to drive the pump.

11.2.2.2* The horsepower capability of the engine, when equipped for fire pump service, shall have a 4-hour minimum horsepower rating not less than 10 percent greater than the listed horsepower on the engine nameplate.

11.2.2.3 Engines shall be acceptable for horsepower ratings listed by the testing laboratory for standard SAE conditions.

11.2.2.4* A deduction of 3 percent from engine horsepower rating at standard SAE conditions shall be made for each 1000 ft (300 m) of altitude above 300 ft (91 m).

11.2.2.5* A deduction of 1 percent from engine horsepower rating as corrected to standard SAE conditions shall be made for every 10°F (5.6°C) above 77°F (25°C) ambient temperature.

11.2.2.6 Where right-angle gear drives (*see 11.2.3.2*) are used between the vertical turbine pump and its driver, the horsepower requirement of the pump shall be increased to allow for power loss in the gear drive.

11.2.2.7 After the requirements of 11.2.2.1 through 11.2.2.6 have been complied with, engines shall have a 4-hour minimum horsepower rating equal to or greater than the brake horsepower required to drive the pump at its rated speed under any conditions listed for environmental conditions under pump load.

11.2.3 Engine Power Connection to Pump.

11.2.3.1 Horizontal shaft engines shall be provided with a means for direct attachment of a flexible coupling adaptor, a flexible connecting shaft adaptor, a stub shaft, or a torsional vibration damping type coupling to the engine flywheel. (See Section 6.5 and 7.5.1.4)

11.2.4 Engine Speed Controls.

11.2.4.1 Speed Control Governor.

11.2.4.1.1 Engines shall be provided with a governor capable of regulating engine speed within a range of 10 percent between shutoff and maximum load condition of the pump.

11.2.4.1.2 The governor shall be field adjustable and set and secured to maintain rated pump speed at maximum pump load.

11.2.4.1.3 Engines shall accelerate to rated output speed within 20 seconds.

11.2.4.2* Electronic Fuel Management Control.

11.2.4.2.1 Alternate Electronic Control Module. Engines that incorporate an electronic control module (ECM) to accomplish and control the fuel injection process shall have an alternate ECM permanently mounted and wired so the engine can produce its full rated power output in the event of a failure of the primary ECM.

11.2.4.2.2 ECM Voltage Protection. ECMs shall be protected from transient voltage spikes and reverse dc current.

11.2.4.2.3 ECM Selector Switch.

11.2.4.2.3.1 Operation.

(A) The transition from the primary ECM to the alternate, or alternate to primary shall be controlled by a hand/automatic switch without an off position.

(B) When the switch required in 11.2.4.2.3.1(A) is in the automatic position, the transition from the primary ECM to the alternate, or alternate to primary shall be accomplished automatically upon failure of either ECM.

(C) When the switch required in 11.2.4.2.3.1(A) is in the hand position, the transition from the primary ECM to the alternate, or from alternate to primary shall be accomplished manually.

11.2.4.2.3.2 Supervision. A visual indicator shall be provided on the engine instrument panel, and a supervisory signal shall be provided to the controller when the ECM selector switch is positioned to the alternate ECM.

11.2.4.2.3.3 Contacts.

(A) The contacts for each circuit shall be rated for both the minimum and maximum current and voltage.

(B) The total resistance of each ECM circuit through the selector switch shall be approved by the engine manufacturer.

11.2.4.2.3.4 Enclosure.

(A) The selector switch shall be enclosed in a NEMA Type 2 drip-proof enclosure.

(B) Where special environments exist, suitably rated enclosures shall be used.

11.2.4.2.3.5 Mounting.

(A) The selector switch and enclosure shall be engine mounted.

(B) The selector switch enclosure and/or the selector switch inside shall be isolated from engine vibration to prevent any deterioration of contact operation.

11.2.4.2.4* Engine Power Output. The ECM (or its connected sensors) shall not, for any reason, intentionally cause a reduction in the engine's ability to produce rated power output.

11.2.4.2.5 ECM Sensors. Any sensor necessary for the function of the ECM that affects the engine's ability to produce its rated power output shall have a redundant sensor that shall operate automatically in the event of a failure of the primary sensor.

11.2.4.2.6 ECM Engine Supervision. A common supervisory signal shall be provided to the controller as a minimum for the following events:

- (1) Fuel injection trouble
- (2) Low fuel pressure
- (3) Any primary sensor failure

11.2.4.2.7 ECM and Engine Power Supply.

11.2.4.2.7.1* In the standby mode, the engine batteries or battery chargers shall be used to power the ECM.

11.2.4.2.7.2 Engines shall not require more than 0.5 ampere from the battery or battery charger while the engine is not running.

11.2.4.3 Variable Speed Pressure Limiting Control or Variable Speed Suction Limiting Control (Optional).

11.2.4.3.1 Variable speed pressure limiting control or variable speed suction limiting control systems used on diesel engines for fire pump drive shall be listed for fire pump service and be capable of limiting the pump output total rated head (pressure) or suction pressure by reducing pump speed.

11.2.4.3.2 Variable speed control systems shall not replace the engine governor as defined in 11.2.4.1.

11.2.4.3.3 In the event of a failure of the variable speed control system, the engine shall operate at pump-rated speed with the governor defined in 11.2.4.1.

11.2.4.3.4 Pressure Sensing Line.

11.2.4.3.4.1 A pressure sensing line shall be provided to the engine with a ½ in. (12.7 mm) nominal size inside diameter line.

11.2.4.3.4.2 For pressure limiting control, a sensing line shall be installed from a connection between the pump discharge flange and the discharge check valve to the engine.

11.2.4.3.4.3* If the pressure sensing line is installed where sediment could enter, a drop-down trap and a cleanout shall be installed.

11.2.4.3.4.4 For suction limiting control, a sensing line shall be installed from a connection at the pump inlet flange to the engine.

11.2.4.3.5 Within 20 seconds after a demand to start, pumps shall supply and maintain a stable discharge pressure (± 10 percent) throughout the entire range of operation.

11.2.4.3.5.1 The discharge pressure shall be permitted to restabilize whenever the flow condition changes.

11.2.4.4 Engine Overspeed Shutdown Control, Low Oil Pressure Signal, and High and Low Coolant Temperature Signals.

11.2.4.4.1 Engines shall be provided with an overspeed shutdown device.

11.2.4.4.2 The overspeed device shall be arranged to shut down the engine in a speed range of 10 to 20 percent above rated engine speed and to be manually reset.

11.2.4.4.3 A means shall be provided to indicate an overspeed trouble signal to the automatic engine controller such that the controller cannot be reset until the overspeed shutdown device is manually reset to normal operating position.

11.2.4.4.4 Means shall be provided for verifying overspeed switch and circuitry shutdown function.

11.2.4.4.5 Means shall be provided for signaling critically low oil pressure in the engine lubrication system to the controller.

11.2.4.4.5.1 Means shall be provided on the engine for testing the operation of the oil pressure signal to the controller resulting in visible and common audible alarm on the controller as required in 12.4.1.3.

11.2.4.4.5.2 Instructions for performing the test in 11.2.4.4.5.1 shall be included in the engine manual.

11.2.4.4.6 Means shall be provided for signaling high engine temperature to the controller.

11.2.4.4.6.1 Means shall be provided on the engine for testing the operation of the high engine temperature signal to the controller, resulting in visible and common audible alarm on the controller as required in 12.4.1.3.

11.2.4.4.6.2 Instructions for performing the test in 11.2.4.4.6.1 shall be included in the engine manual.

11.2.4.4.7 Means shall be provided for signaling low engine temperature to the controller.

11.2.4.4.7.1 Means shall be provided on the engine for testing the operation of the low engine temperature signal to the controller, resulting in visible and common audible alarm on the controller as required in 12.4.1.3.

11.2.4.4.7.2 Instructions for performing the test in 11.2.4.4.7.1 shall be included in the engine manual.

11.2.4.4.8 Means shall be provided for signaling high cooling water temperature to the controller at a temperature specified by the engine manufacturer coordinated with the sizing of the heat exchanged water supply.

11.2.4.4.8.1 Means shall be provided on the engine for testing the operation of the high cooling water temperature signal to the controller, resulting in a visible and common audible alarm on the controller as required in 12.4.1.3.

11.2.4.4.8.2 Instructions for performing the test in 11.2.4.4.8.1 shall be included in the engine manual.

11.2.4.5 Engine Running and Crank Termination Control.

11.2.4.5.1 Engines shall be provided with a speed-sensitive switch to signal engine running and crank termination.

11.2.4.5.2 Power for this signal shall be taken from a source other than the engine generator or alternator.

11.2.5 Instrumentation.

11.2.5.1 Instrument Panel.

11.2.5.1.1 All engine instruments shall be placed on a panel secured to the engine or inside an engine base plate-mounted controller.

11.2.5.1.2 The engine instrument panel shall not be used as a junction box or conduit for any ac supply.

11.2.5.2 Engine Speed.

11.2.5.2.1 A tachometer or other means shall be provided to indicate revolutions per minute of the engine, including zero, at all times.

11.2.5.2.2 The tachometer shall be the totalizing type, or an hour meter or other means shall be provided to record total time of engine operation.

11.2.5.2.3 Tachometers with digital display shall be permitted to be blank when the engine is not running.

11.2.5.3 Oil Pressure. Engines shall be provided with an oil pressure gauge or other means to indicate lubricating oil pressure.

11.2.5.4 Temperature. Engines shall be provided with a temperature gauge or other means to indicate engine coolant temperature at all times.

11.2.5.5 The engine shall be provided with a means to indicate the type of trouble being signaled in 11.2.4.2.6.

11.2.6 Wiring Elements.

11.2.6.1 Automatic Controller Wiring in Factory.

11.2.6.1.1* All connecting wires for automatic controllers shall be harnessed or flexibly enclosed, mounted on the engine, and connected in an engine junction box to terminals numbered to correspond with numbered terminals in the controller.

11.2.6.1.2 All wiring on the engine, including starting circuitry, shall be sized on a continuous-duty basis.

11.2.6.2* Automatic Control Wiring in the Field.

11.2.6.2.1 Interconnections between the automatic controller and the engine junction box shall be made using stranded wire sized on a continuous-duty basis.

11.2.6.2.1.1 Interconnection wire size shall be based on length as recommended for each terminal by the controller manufacturer.

11.2.6.2.2 The dc interconnections between the automatic controller and engine junction box and any ac power supply to the engine shall be routed in separate conduits.

11.2.6.3 Battery Cables.

11.2.6.3.1 Battery cables shall be sized in accordance with the engine manufacturer's recommendations considering the cable length required for the specific battery location.

11.2.7 Starting Methods.

11.2.7.1 Starting Devices. Engines shall be equipped with a reliable starting device.

11.2.7.2 Electric Starting. Where electric starting is used, the electric starting device shall take current from a storage battery(ies).

11.2.7.2.1 Batteries.

11.2.7.2.1.1 Each engine shall be provided with two storage battery units.

11.2.7.2.1.2 Lead-acid batteries shall be furnished in a dry charge condition with electrolyte liquid in a separate container.

11.2.7.2.1.3 Nickel-cadmium or other kinds of batteries shall be permitted to be installed in lieu of lead-acid batteries, provided they meet the engine manufacturer's requirements and the charging voltage levels of the chargers in 12.5.3 are coordinated to meet the requirements of the specific batteries.

11.2.7.2.1.4 At 40°F (4°C), each battery unit shall have twice the capacity sufficient to maintain the cranking speed recommended by the engine manufacturer through a 3-minute attempt-to-start cycle, which is six consecutive cycles of 15 seconds of cranking and 15 seconds of rest.

11.2.7.2.1.5* Batteries shall be sized, based on calculations, to have capacity to carry the loads defined in 11.2.7.2.3 for 72 hours of standby power followed by three 15-second attempt-to-start cycles per battery unit as defined in 11.2.7.2.1.4, without ac power being available for battery charging.

11.2.7.2.2* Battery Isolation.

11.2.7.2.2.1 Engines with only one cranking motor shall include a main battery contactor installed between each battery and the cranking motor for battery isolation.

(A) Main battery contactors shall be listed for fire pump driver service.

(B) Main battery contactors shall be rated for the cranking motor current.

(C) Main battery contactors shall be capable of manual mechanical operation, including positive methods such as spring-loaded, over-center operator to energize the starting motor in the event of controller circuit failure.

11.2.7.2.2.2 Engines with two cranking motors shall have one cranking motor dedicated to each battery.

(A) Each cranking motor shall meet the cranking requirements of a single cranking motor system.

(B) To activate cranking, each cranking motor shall have an integral solenoid relay to be operated by the pump set controller.

(C) Each cranking motor integral solenoid relay shall be capable of being energized from a manual operator listed and rated for the cranking motor solenoid relay and include a mechanical switch on the engine panel to energize the starting motor in the event of controller circuit failure.

11.2.7.2.3 Battery Loads.

11.2.7.2.3.1 Nonessential loads shall not be powered from the engine starting batteries.

11.2.7.2.3.2 Essential loads, including the engine, controller, and all pump room equipment combined, shall not exceed 0.5 ampere each for a total of 1.5 amperes, on a continuous basis.

11.2.7.2.4* Battery Location.

11.2.7.2.4.1 Storage batteries shall be rack supported above the floor, secured against displacement, and located where they will not be subject to excessive temperature, vibration, mechanical injury, or flooding with water.

11.2.7.2.4.2 Current-carrying parts shall not be less than 12 in. (305 mm) above the floor level.

11.2.7.2.4.3 Storage batteries shall be readily accessible for servicing.

11.2.7.2.4.4 Storage batteries shall not be located in front of the engine-mounted instruments and controls.

11.2.7.2.4.5 Storage battery racks and their location shall meet the requirements of *NFPA 70*.

11.2.7.3 Hydraulic Starting.

11.2.7.3.1 Where hydraulic starting is used, the accumulators and other accessories shall be enclosed or so protected that they are not subject to mechanical injury.

11.2.7.3.2 The enclosure shall be installed as close to the engine as practical so as to prevent serious pressure drop between the engine and the enclosure.

11.2.7.3.3 The diesel engine as installed shall be without starting aid except that as required in 11.2.8.2.

11.2.7.3.4 The diesel as installed shall be capable of carrying its full rated load within 20 seconds after cranking is initiated with the intake air, room ambient temperature, and all starting equipment at 32°F (0°C).

11.2.7.3.5 Hydraulic starting means shall comply with the following conditions:

- (1) The hydraulic cranking device shall be a self-contained system that will provide the required cranking forces and engine starting revolutions per minute (rpm) as recommended by the engine manufacturer.
- (2) Electrically operated means shall automatically recharge and maintain the stored hydraulic pressure within the predetermined pressure limits.
- (3) The means of automatically maintaining the hydraulic system within the predetermined pressure limits shall be energized from the main bus and the final emergency bus if one is provided.
- (4) Engine driven means shall be provided to recharge the hydraulic system when the engine is running.
- (5) Means shall be provided to manually recharge the hydraulic system.
- (6) The capacity of the hydraulic cranking system shall provide not fewer than six cranking cycles of not less than 15 seconds each.
- (7) Each cranking cycle — the first three to be automatic from the signaling source — shall provide the necessary number of revolutions at the required rpm to permit the diesel engine to meet the requirements of carrying its full rated load within 20 seconds after cranking is initiated with intake air, room ambient temperature, and hydraulic cranking system at 32°F (0°C).
- (8) The capacity of the hydraulic cranking system sufficient for three starts under conditions described in 11.2.7.3.5(6) shall be held in reserve and arranged so that the operation of a single control by one person will permit the reserve capacity to be employed.

(9) All controls for engine shutdown in the event of over-speed shall be 12 V dc or 24 V dc source to accommodate controls supplied on the engine, and the following also shall apply:

- (a) In the event of such failure, the hydraulic cranking system shall provide an interlock to prevent the engine from re cranking.
- (b) The interlock shall be manually reset for automatic starting when engine failure is corrected.

11.2.7.4 Air Starting.

11.2.7.4.1 In addition to the requirements of Section 11.1 through 11.2.7, 11.2.8.1, 11.2.8 through 11.6.2, 11.6.4, and 11.6.6, the requirements of 11.2.7.4 shall apply.

11.2.7.4.2 Automatic Controller Connections in Factory.

11.2.7.4.2.1 All conductors for automatic controllers shall be harnessed or flexibly enclosed, mounted on the engine, and connected in an engine junction box to terminals numbered to correspond with numbered terminals in the controller.

11.2.7.4.2.2 These requirements shall ensure ready connection in the field between the two sets of terminals.

11.2.7.4.3 Signal for Engine Running and Crank Termination.

11.2.7.4.3.1 Engines shall be provided with a speed-sensitive switch to signal running and crank termination.

11.2.7.4.3.2 Power for this signal shall be taken from a source other than the engine compressor.

11.2.7.4.4* Air Starting Supply.

11.2.7.4.4.1 The air supply container shall be sized for 180 seconds of continuous cranking without recharging.

11.2.7.4.4.2 There shall be a separate, suitably powered automatic air compressor or means of obtaining air from some other system, independent of the compressor driven by the fire pump engine.

11.2.7.4.4.3 Suitable supervisory service shall be maintained to indicate high and low air pressure conditions.

11.2.7.4.4.4 A bypass conductor with a manual valve or switch shall be installed for direct application of air from the air container to the engine starter in the event of control circuit failure.

11.2.8 Engine Cooling System.

11.2.8.1 The engine cooling system shall be included as part of the engine assembly and shall be one of the following closed-circuit types:

- (1) A heat exchanger type that includes a circulating pump driven by the engine, a heat exchanger, and an engine jacket temperature regulating device
- (2) A radiator type that includes a circulating pump driven by the engine, a radiator, an engine jacket temperature regulating device, and an engine-driven fan for providing positive movement of air through the radiator

11.2.8.2 A means shall be provided to maintain 120°F (49°C) at the combustion chamber.

11.2.8.3 An opening shall be provided in the circuit for filling the system, checking coolant level, and adding make-up coolant when required.

11.2.8.4 The coolant shall comply with the recommendation of the engine manufacturer.

11.2.8.5* Heat Exchanger Water Supply.

11.2.8.5.1 The cooling water supply for a heat exchanger-type system shall be from the discharge of the pump taken off prior to the pump discharge check valve.

11.2.8.5.2 The cooling water flow required shall be set based on the maximum ambient cooling water.

11.2.8.5.3 Heat Exchanger Water Supply Components.

11.2.8.5.3.1 Threaded rigid piping shall be used for this connection.

11.2.8.5.3.2 Nonmetallic flexible sections shall be allowed between the pump discharge and cooling water supply assembly inlet, and between the cooling water supply assembly discharge and engine inlet, provided they have at least 2 times the fire pump discharge rated pressure and have a 30-minute fire resistance rating equal to ISO 15540, *Fire Resistance of Hose Assemblies*.

11.2.8.5.3.3 The pipe connection in the direction of flow shall include an indicating manual shutoff valve, an approved flushing-type strainer in addition to the one that can be a part of the pressure regulator, a pressure regulator, an automatic valve, and a second indicating manual shutoff valve or a spring-loaded check valve.

11.2.8.5.3.4 The indicating manual shutoff valves shall have permanent labeling with minimum ½ in. (12.7 mm) text that indicates the following: For the valve in the heat exchanger water supply, “Normal/Open” for the normal open position when the controller is in the automatic position and “Caution: Nonautomatic/Closed” for the emergency or manual position.

11.2.8.5.3.5 The pressure regulator shall be of such size and type that it is capable of and adjusted for passing approximately 120 percent of the cooling water required when the engine is operating at maximum brake horsepower and when the regulator is supplied with water at the pressure of the pump when it is pumping at 150 percent of its rated capacity.

11.2.8.5.3.6 Automatic Valve.

(A) An automatic valve listed for fire protection service shall permit flow of cooling water to the engine when it is running.

(B) Energy to operate the automatic valve shall come from the diesel driver or its batteries and shall not come from the building.

(C) The automatic valve shall be normally closed.

(D) The automatic valve shall not be required on a vertical shaft turbine-type pump or any other pump when there is no pressure in the discharge when the pump is idle.

11.2.8.5.3.7 A pressure gauge shall be installed in the cooling water supply system on the engine side of the last valve in the heat exchanger water supply and bypass supply.

11.2.8.5.3.8 **Potable Water Separation (Optional.)** Where two levels of separation for possible contaminants to the ground or potable water source are required by the authority having jurisdiction, dual spring-loaded check valves or backflow preventers shall be installed.

(A)* The spring-loaded check valve(s) shall replace the second indicating manual shutoff valve(s) in the cooling loop assembly as stated in 11.2.8.5.3.4.

(B)* If backflow preventers are used, the devices shall be listed for fire protection service and installed in parallel in the water supply and water supply bypass assembly.

(C) Where the authority having jurisdiction requires the installation of backflow prevention devices in connection with the engine, special consideration shall be given to the increased pressure loss, which will require that the cooling loop pipe size be evaluated and documented by engineering calculations to demonstrate compliance with the engine manufacturer's recommendation.

11.2.8.6* Heat Exchanger Water Supply Bypass.

11.2.8.6.1 A threaded rigid pipe bypass line shall be installed around the heat exchanger water supply.

11.2.8.6.2 The pipe connection in the direction of flow shall include an indicating manual shutoff valve, an approved flushing-type strainer in addition to the one that can be a part of the pressure regulator, a pressure regulator, and an indicating manual shutoff valve or a spring-loaded check valve.

11.2.8.6.3 The indicating manual shutoff valves shall have permanent labeling with minimum ½ in. (12.7 mm) text that indicates the following: For the valve in the heat exchanger water supply bypass, "Normal/Closed" for the normal closed position when the controller is in the automatic position and "Emergency/Open" for manual operation or when the engine is overheating.

11.2.8.7 Heat Exchanger Waste Outlet.

11.2.8.7.1 An outlet shall be provided for the wastewater line from the heat exchanger, and the discharge line shall not be less than one size larger than the inlet line.

11.2.8.7.2 The outlet line shall be as short as practical, shall provide discharge into a visible open waste cone, and shall have no valves in it.

11.2.8.7.3 The outlet shall be permitted to discharge to a suction reservoir, provided a visual flow indicator and temperature indicator are installed.

11.2.8.7.4 When the waste outlet piping is longer than 15 ft (4.6 m) or its outlet discharges are more than 4 ft (1.2 m) higher than the heat exchanger, or both, the pipe size shall be increased by at least one size.

11.2.8.8 Radiators.

11.2.8.8.1 The heat from the primary circuit of a radiator shall be dissipated by air movement through the radiator created by a fan included with, and driven by, the engine.

11.2.8.8.2 The radiator shall be designed to limit maximum engine operating temperature with an inlet air temperature of 120°F (49°C) at the combustion air cleaner inlet.

11.2.8.8.3 The radiator shall include the plumbing to the engine and a flange on the air discharge side for the connection of a flexible duct from the discharge side to the discharge air ventilator.

11.2.8.8.4 Fan.

11.2.8.8.4.1 The fan shall push the air through the radiator to be exhausted from the room via the air discharge ventilator.

11.2.8.8.4.2 To ensure adequate airflow through the room and the radiator, the fan shall be capable of a 0.5 in. water column (13 mm water column) restriction created by the combination of the air supply and the discharge ventilators in addition to the radiator, fan guard, and other engine component obstructions.

11.2.8.8.4.3 The fan shall be guarded for personnel protection.

11.2.9 Engine Lubrication.

11.2.9.1 The engine manufacturer's recommendations for oil heaters shall be followed.

11.3* Pump Room.

11.3.1 The floor or surface around the pump and engine shall be pitched for adequate drainage of escaping water away from critical equipment, such as pump, engine, controller, fuel tank, and so forth.

11.3.2* Ventilation.

11.3.2.1 Ventilation shall be provided for the following functions:

- (1) To control the maximum temperature to 120°F (49°C) at the combustion air cleaner inlet with engine running at rated load
- (2) To supply air for engine combustion
- (3) To remove any hazardous vapors
- (4) To supply and exhaust air as necessary for radiator cooling of the engine when required

11.3.2.2 The ventilation system components shall be coordinated with the engine operation.

11.3.2.3* Air Supply Ventilator.

11.3.2.3.1 The air supply ventilator shall be considered to include anything in the air supply path to the room.

11.3.2.3.2 The total air supply path to the pump room shall not restrict the flow of the air more than 0.2 in. water column (5.1 mm water column).

11.3.2.4* Air Discharge Ventilator.

11.3.2.4.1 The air discharge ventilator shall be considered to include anything in the air discharge path from the engine to the outdoors.

11.3.2.4.2 The air discharge ventilator shall allow sufficient air to exit the pump room to satisfy 11.3.2.

11.3.2.4.3 Radiator-Cooled Engines.

11.3.2.4.3.1 For radiator-cooled engines, the radiator discharge shall be ducted outdoors in a manner that will prevent recirculation.

11.3.2.4.3.2 The duct shall be attached to the radiator via a flexible section.

11.3.2.4.3.3 The air discharge path for radiator-cooled engines shall not restrict the flow of air more than 0.3 in. water column (7.6 mm water column).

11.3.2.4.3.4* A recirculation duct shall be permitted for cold weather operation provided that the following requirements are met:

- (1) The recirculation airflow shall be regulated by a thermostatically controlled damper.
- (2) The control damper shall fully close in a failure mode.
- (3) The recirculated air shall be ducted to prevent direct recirculation to the radiator.
- (4) The recirculation duct shall not cause the temperature at the combustion air cleaner inlet to rise above 120°F (49°C).
- (5) The bypass shall be installed in such a way as to supply air to the room when needed and when the control damper is open, and not exhaust air from the room.

11.4 Fuel Supply and Arrangement.

11.4.1 General.

11.4.1.1 Plan Review. Before any fuel system is installed, plans shall be prepared and submitted to the authority having jurisdiction for agreement on suitability of the system for prevailing conditions.

11.4.1.2* Fuel Supply Tank.

11.4.1.2.1 The fuel supply tank and fuel shall be reserved exclusively for the fire pump diesel engine.

11.4.1.2.2 There shall be a separate fuel supply tank for each engine.

11.4.1.2.3 There shall be a separate fuel supply and return line for each engine.

11.4.1.3 Fuel Supply Tank Capacity.

11.4.1.3.1* Fuel supply tank(s) shall have a capacity at least equal to 1 gal per hp (5.07 L per kW), plus 5 percent volume for expansion and 5 percent volume for sump.

11.4.1.3.2 Whether larger-capacity fuel supply tanks are required shall be determined by prevailing conditions, such as refill cycle and fuel heating due to recirculation, and shall be subject to special conditions in each case.

11.4.1.4 Tank Construction.

11.4.1.4.1 Tanks shall be single wall or double wall and shall be designed and constructed in accordance with recognized engineering standards such as ANSI/UL 142, *Standard for Steel Aboveground Tanks for Flammable and Combustible Liquids*.

11.4.1.4.2 Tanks shall be securely mounted on noncombustible supports.

11.4.1.4.3 Tanks used in accordance with the rules of this standard shall be limited in size to 1320 gal (4996 L).

11.4.1.4.3.1 For situations where fuel tanks in excess of 1320 gal (4996 L) are being used, the requirements of NFPA 37 shall apply.

11.4.1.4.4 Single-wall fuel tanks shall be enclosed with a wall, curb, or dike sufficient to hold the entire capacity of the tank.

11.4.1.5 Tank Connections.

11.4.1.5.1 Each tank shall have a fill connection.

11.4.1.5.1.1 Fill pipes that enter the top of the tank shall terminate within 6 in. (152 mm) of the bottom of the tank and shall be installed or arranged so that vibration is minimized.

11.4.1.5.2 Each tank shall have a drain connection.

11.4.1.5.2.1 A drain connection located in the lowest point of the tank shall be 1 in. (25 mm) NPT.

11.4.1.5.3 Each tank shall have a vent connection.

11.4.1.5.3.1 Normal vents shall be 2 in. (50 mm) NPT or sized in accordance with ANSI/UL 142, *Standard for Steel Aboveground Tanks for Flammable and Combustible Liquids*, or other approved standards.

(A) As an alternative to the requirement in 11.4.1.2.5.3.1, the normal vent shall be at least as large as the largest filling or withdrawal connection, but in no case shall it be less than 1¼ in. (32 mm) nominal inside diameter.

11.4.1.5.4 Each tank shall have an engine supply connection.

11.4.1.5.4.1 The fuel supply pipe connection shall be located on a side of the tank.

11.4.1.5.4.2 The engine fuel supply (suction) pipe connection shall be located on the tank so that 5 percent of the tank volume provides a sump volume not usable by the engine.

11.4.1.5.4.3 The tank connection shall be no smaller than the fuel supply piping to the engine.

11.4.1.5.5 Each tank shall have an engine return connection.

11.4.1.5.5.1 The tank connection shall be no smaller than the fuel return piping from the engine.

11.4.1.5.6 Each tank shall have a fuel level switch connection.

11.4.1.5.6.1 The fuel tank shall have one 2 in. (50.8 mm) NPT threaded port in the top, near the center, of the tank to accommodate the low fuel level switch required in 11.4.2.6.

11.4.1.5.7 Each tank shall have an active fuel maintenance return connection.

11.4.1.5.7.1 The fuel tank shall have one minimum 1 in. (25.4 mm) NPT threaded port in the top of the tank to accommodate the connection of a line for the return fuel from an active fuel maintenance system.

11.4.1.5.7.2 Where there is not an active fuel system installed, a plug shall be installed in this connection.

11.4.1.5.8 If a double-wall tank is installed, the interstitial space between the shells of the diesel fuel storage tank shall be monitored for leakage and annunciated by the engine drive controller. The signal shall be of the supervisory type.

11.4.1.6 Vent Piping.

11.4.1.6.1 Vent piping shall be arranged so that the vapors are discharged upward or horizontally away from adjacent walls and will not be trapped by eaves or other obstructions.

11.4.1.6.2 Outlets shall terminate at least 5 ft (1.5 m) from building openings.

11.4.1.6.3 Outlets shall terminate at least 12 ft (3.7 m) above the finished ground level.

11.4.1.6.4 Vents from interstitial spaces of double-wall tanks shall meet the requirements of 11.4.1.6.2 and 11.4.1.6.3 and shall not be manifolded together with a vent from the primary compartment of the tank.

11.4.2 Tank Level Indication.

11.4.2.1 Means other than sight tubes for continuous indicating of the amount of fuel in each storage tank shall be provided.

11.4.2.2 A fuel level indicator shall be provided to activate at the two-thirds tank level.

11.4.2.3 The low fuel level condition shall initiate a supervisory signal.

11.4.2.4 Tanks shall be prevented from overfilling by one of the following:

- (1) An automatic mechanism that sends an audible or visible signal to the person filling the tank when it reaches 90 percent of the tank's capacity and automatically shuts off the flow of liquid to the tank when it reaches 95 percent of the tank's capacity.
- (2) A permanent sign at the fill point with the tank calibration chart and instructions about the filling procedure, which includes having the person performing the fill operation determine how full the tank is prior to filling and calculate the quantity of fuel (in gallons or liters) that it will take to get the tank to 90 percent of the tank's capacity. Where climatic conditions are such that the sign could be obscured by ice or snow, weathered beyond readability, or otherwise rendered unreadable, the procedures and chart shall be permitted to be located in an office window, lock box, or other location accessible to the person performing the filling of the tank.
- (3) Any approved procedure for preventing the tank from being overfilled.

11.4.3* Fuel Supply Tank Location.

11.4.3.1 Diesel fuel supply tanks shall be located above ground in accordance with municipal or other ordinances and in accordance with requirements of the authority having jurisdiction and shall not be buried.

11.4.3.2 In zones where freezing temperatures [32°F (0°C)] are possible, the fuel supply tanks shall be located in the pump room.

11.4.3.3 The supply tank shall be located so the fuel supply pipe connection to the engine is no lower than the level of the engine fuel transfer pump.

11.4.3.4 The engine manufacturer's fuel pump static head pressure limits shall not be exceeded when the level of fuel in the tank is at a maximum.

11.4.4* Fuel Piping.

11.4.4.1 Flame-resistant reinforced flexible hose with a 30-minute fire resistance rating equal to ISO 15540, *Fire Resistance of Hose Assemblies*, and a pressure rating no less than 2 times the fuel supply and return working pressure with threaded connections shall be provided at the engine for connection to fuel system piping.

11.4.4.2 Fuel piping shall not be galvanized steel or copper.

11.4.4.2.1 Where black steel pipe is used for fuel piping, the fittings shall be steel or malleable iron fittings.

11.4.4.3 The fuel return line shall be installed according to the engine manufacturer's recommendation.

11.4.4.3.1 A check valve, as specified by the engine manufacturer, shall be permitted to be installed in the fuel return line only when required by the engine manufacturer.

11.4.4.4 There shall be no shutoff valve in the fuel return line to the tank.

11.4.4.5 A manual shut off valve shall be provided within the tank fuel supply line.

11.4.4.5.1 The valve shall be locked in the open position.

11.4.4.5.2 No other valve than a manual locked open valve shall be put in the fuel line from the fuel tank to the engine.

11.4.4.6* Fuel Line Protection. A guard, pipe protection, or approved double-walled pipe shall be provided for all fuel lines exposed to traffic or possible damage.

11.4.4.7 Fuel Solenoid Valve. Where an electric solenoid valve is used to control the engine fuel supply, it shall be capable of manual mechanical operation or of being manually bypassed in the event of a control circuit failure.

11.4.5* Fuel Type.

11.4.5.1* The type and grade of diesel fuel shall be as specified by the engine manufacturer.

11.4.5.2 In areas where local air quality management regulations allow only the use of DF #1 fuel and no diesel fire pump driver is available listed for use with DF #1 fuel, an engine listed for use with DF #2 shall be permitted to be used but shall have the nameplate rated horsepower derated 10 percent, provided the engine manufacturer approves the use of DF #1 fuel.

11.4.5.3 The grade of fuel shall be indicated on the engine nameplate required in 11.2.2.1.

11.4.5.4 The grade of fuel oil shall be indicated on the fuel tank by letters that are a minimum of 6 in. (152 mm) in height and in contrasting color to the tank.

11.4.5.5 Residual fuels, domestic heating furnace oils, and drained lubrication oils shall not be used.

11.4.6* Static Electricity.

11.4.6.1 The tank, pump, and piping shall be designed and operated to prevent electrostatic ignitions.

11.4.6.2 The tank, pump, and piping shall be bonded and grounded.

11.4.6.3 The bond and ground shall be physically applied or shall be inherently present by the nature of the installation.

11.4.6.4 Any electrically isolated section of metallic piping or equipment shall be bonded and grounded to prevent hazardous accumulation of static electricity.

11.5 Engine Exhaust.

11.5.1 Exhaust Manifold. Exhaust manifolds and turbochargers shall incorporate provisions to avoid hazard to the operator or to flammable material adjacent to the engine.

11.5.2* Exhaust Piping.

11.5.2.1 Each pump engine shall have an independent exhaust system.

11.5.2.2 A flexible connection with a section of stainless steel, seamless or welded corrugated (not interlocked), not less than 12 in. (305 mm) in length shall be made between the engine exhaust outlet and exhaust pipe.

11.5.2.3 The exhaust pipe shall not be any smaller in diameter than the engine exhaust outlet and shall be as short as possible.

11.5.2.4 The exhaust pipe shall be covered with high-temperature insulation or otherwise guarded to protect personnel from injury.

11.5.2.5 The exhaust pipe and muffler shall be acceptable to the engine manufacturer, and the exhaust back pressure shall not exceed the engine manufacturer's recommendations.

11.5.2.5.1 The exhaust pipe and muffler shall be supported independently of the engine's flexible exhaust connection.

11.5.2.6 Exhaust pipes shall be installed with clearances of at least 9 in. (229 mm) to combustible materials.

11.5.2.7 Exhaust pipes passing directly through combustible roofs shall be guarded at the point of passage by ventilated metal thimbles that extend not less than 9 in. (229 mm) above and 9 in. (229 mm) below roof construction and are at least 6 in. (152 mm) larger in diameter than the exhaust pipe.

11.5.2.8 Exhaust pipes passing directly through combustible walls or partitions shall be guarded at the point of passage by one of the following methods:

- (1) Metal ventilated thimbles not less than 12 in. (305 mm) larger in diameter than the exhaust pipe
- (2) Metal or burned clay thimbles built in brickwork or other approved materials providing not less than 8 in. (203 mm) of insulation between the thimble and construction material

11.5.2.9* Exhaust emission after treatment devices that have the potential to adversely impact the performance and reliability of the engine shall not be permitted.

11.5.2.10 Where required by the authority having jurisdiction, the installation of an exhaust emission after treatment device shall be of the active regeneration type with a pressure limiting device that permits the engine exhaust to bypass the after treatment device when the engine manufacturer's maximum allowed exhaust backpressure is exceeded.

11.5.3 Exhaust Discharge Location.

11.5.3.1 Exhaust from the engine shall be piped to a safe point outside the pump room and arranged to exclude water.

11.5.3.2 Exhaust gases shall not be discharged where they will affect persons or endanger buildings.

11.5.3.3 Exhaust systems shall terminate outside the structure at a point where hot gases, sparks, or products of combustion will discharge to a safe location. [37:8.2.3.1]

11.5.3.4 Exhaust system terminations shall not be directed toward combustible material or structures, or into atmospheres containing flammable gases, flammable vapors, or combustible dusts. [37:8.2.3.2]

11.5.3.5 Exhaust systems equipped with spark-arresting mufflers shall be permitted to terminate in Division 2 locations as defined in Article 500 of *NFPA 70*. [37:8.2.3.3]

11.6* Diesel Engine Driver System Operation.**11.6.1 Weekly Run.**

11.6.1.1 Engines shall be designed and installed so that they can be started no less than once a week and run for no less than 30 minutes to attain normal running temperature.

11.6.1.2 Engines shall run smoothly at rated speed, except for engines addressed in 11.6.1.3.

11.6.1.3 Engines equipped with variable speed pressure limiting control shall be permitted to run at reduced speeds provided factory-set pressure is maintained and they run smoothly.

11.6.2* Engine Maintenance. Engines shall be designed and installed so that they can be kept clean, dry, and well lubricated to ensure adequate performance.

11.6.3 Battery Maintenance.

11.6.3.1 Storage batteries shall be designed and installed so that they can be kept charged at all times.

11.6.3.2 Storage batteries shall be designed and installed so that they can be tested frequently to determine the condition of the battery cells and the amount of charge in the battery.

11.6.3.3 Only distilled water shall be used in battery cells.

11.6.3.4 Battery plates shall be kept submerged at all times.

11.6.3.5 The automatic feature of a battery charger shall not be a substitute for proper maintenance of battery and charger.

11.6.3.6 The battery and charger shall be designed and installed so that periodic inspection of both battery and charger is physically possible.

11.6.3.6.1 This inspection shall determine that the charger is operating correctly, the water level in the battery is correct, and the battery is holding its proper charge.

11.6.4* Fuel Supply Maintenance.

11.6.4.1 The fuel storage tanks shall be designed and installed so that they can be kept as full and maintained as practical at all times but never below 66 percent (two-thirds) of tank capacity.

11.6.4.2 The tanks shall be designed and installed so that they can always be filled by means that will ensure removal of all water and foreign material.

11.6.4.3* The tanks shall be designed and installed so that they can be maintained by means that will ensure removal of water and foreign material.

11.6.4.4* An active fuel maintenance system listed for fire pump service shall be permitted to be installed for the maintenance of the fuel in the supply tank.

11.6.4.4.1 Where provided, the active fuel maintenance system shall be equipped with a visible indicator to indicate when the system is in need of maintenance.

11.6.4.4.2 Where provided, the active fuel maintenance system shall be equipped with a contact closure for signaling to the controller when the system is in need of maintenance.

11.6.4.4.3 Where provided, the active fuel maintenance systems shall be permanently connected to the fuel tank as follows:

- (1) All connections shall be made directly to the tank.
- (2) The supply from the tank to the active fuel maintenance system shall include a manual shutoff valve and a connection to the drain located between the bottom of the tank and the drain valve of the fuel storage tank.
- (3) The return from the active fuel maintenance system to the fuel storage tank shall be connected to the dedicated connection on the top of the tank with a drop tube down to the 50 percent level, and shall include a manual shutoff valve for servicing the system.

11.6.5* Temperature Maintenance.

11.6.5.1 The temperature of the pump room, pump house, or area where engines are installed shall be designed so that the temperature is maintained at the minimum recommended by the engine manufacturer and is never less than the minimum recommended by the engine manufacturer.

11.6.6 Emergency Starting and Stopping.

11.6.6.1 The sequence for emergency manual operation, arranged in a step-by-step manner, shall be posted on the fire pump engine.

11.6.6.2 It shall be the engine manufacturer's responsibility to list any specific instructions pertaining to the operation of this equipment during the emergency operation.

Chapter 12 Engine Drive Controllers

12.1 Application.

12.1.1 This chapter provides requirements for minimum performance of automatic/nonautomatic diesel engine controllers for diesel engine-driven fire pumps.

12.1.2 Accessory devices, such as fire pump alarm and signaling means, are included where necessary to ensure minimum performance of the equipment mentioned in 12.1.1.

12.1.3 General.

12.1.3.1 All controllers shall be specifically listed for diesel engine-driven fire pump service.

12.1.3.2 All controllers shall be completely assembled, wired, and tested by the manufacturer before shipment from the factory.

12.1.3.3 Markings.

12.1.3.3.1 All controllers shall be marked "Diesel Engine Fire Pump Controller" and shall show plainly the name of the manufacturer, the identifying designation, rated operating pressure, enclosure type designation, and complete electrical rating.

12.1.3.3.2 Where multiple pumps serving different areas or portions of the facility are provided, an appropriate sign shall be conspicuously attached to each controller indicating the area, zone, or portion of the system served by that pump or pump controller.

12.1.4 It shall be the responsibility of the pump manufacturer or its designated representative to make necessary arrange-

ments for the services of a controller manufacturer's representative, where needed, for services and adjustment of the equipment during the installation, testing, and warranty periods.

12.2 Location.

12.2.1* Controllers shall be located as close as is practical to the engines they control and shall be within sight of the engines.

12.2.2 Controllers shall be so located or so protected that they will not be damaged by water escaping from pumps or pump connections.

12.2.3 Current carrying parts of controllers shall not be less than 12 in. (305 mm) above the floor level.

12.2.4 Working clearances around controllers shall comply with *NFPA 70*, Article 110.

12.3 Construction.

12.3.1 Equipment.

12.3.1.1* All equipment shall be suitable for use in locations subject to a moderate degree of moisture, such as a damp basement.

12.3.1.2 Reliability of operation shall not be adversely affected by normal dust accumulations.

12.3.2 Mounting. All equipment not mounted on the engine shall be mounted in a substantial manner on a single noncombustible supporting structure.

12.3.3 Enclosures.

12.3.3.1* Mounting.

12.3.3.1.1 The structure or panel shall be securely mounted in, as a minimum, a NEMA Type 2 drip-proof enclosure(s) or an enclosure(s) with an ingress protection (IP) rating of IP 31.

12.3.3.1.2 Where the equipment is located outside or special environments exist, suitably rated enclosures shall be used.

12.3.3.2 Grounding. The enclosures shall be grounded in accordance with *NFPA 70*, Article 250.

12.3.4 Locked Lockable Cabinet. All switches required to keep the controller in the automatic position shall be within locked enclosures having breakable glass panels.

12.3.5 Connections and Wiring.

12.3.5.1 Field Wiring.

12.3.5.1.1 All wiring between the controller and the diesel engine shall be stranded and sized to carry the charging or control currents as required by the controller manufacturer.

12.3.5.1.2 Such wiring shall be protected against mechanical injury.

12.3.5.1.3 Controller manufacturer's specifications for distance and wire size shall be followed.

12.3.5.2 Wiring Elements. Wiring elements of the controller shall be designed on a continuous-duty basis.

12.3.5.3 Field Connections.

12.3.5.3.1 A diesel engine fire pump controller shall not be used as a junction box to supply other equipment.

12.3.5.3.2 No external contacts or changes to the controller that interfere with the operation of the controller shall be installed.

12.3.5.3.3 Electrical supply conductors for pressure maintenance (jockey or make-up) pump(s) shall not be connected to the diesel engine fire pump controller.

12.3.5.3.3.1 Except as provided in 4.20.2.5, remote shutdown or interlock to prevent normal operation shall not be permitted unless approved by the authority having jurisdiction.

12.3.5.3.4 Diesel engine fire pump controllers shall be permitted to supply essential and necessary ac or dc power, or both, to operate pump room dampers and engine oil heaters and other associated required engine equipment only when provided with factory-equipped dedicated field terminals and overcurrent protection.

12.3.6 Electrical Diagrams and Instructions.

12.3.6.1 A field connection diagram shall be provided and permanently attached to the inside of the enclosure.

12.3.6.2 The field connection terminals shall be plainly marked to correspond with the field connection diagram furnished.

12.3.6.3 For external engine connections, the field connection terminals shall be commonly numbered between the controller and the engine terminals.

12.3.6.4 The installation instructions of the manufacturer of the fire pump controller shall be followed.

12.3.7 Marking.

12.3.7.1 Each operating component of the controller shall be plainly marked with the identification symbol that appears on the electrical schematic diagram.

12.3.7.2 The markings shall be located so as to be visible after installation.

12.3.8* Instructions. Complete instructions covering the operation of the controller shall be provided and conspicuously mounted on the controller.

12.4 Components.

12.4.1 Indicators on Controller.

12.4.1.1 All visible indicators shall be plainly visible.

12.4.1.2* Visible indication shall be provided to indicate that the controller is in the automatic position. If the visible indicator is a pilot lamp, it shall be accessible for replacement.

12.4.1.3 Separate visible indicators and a common audible fire pump alarm capable of being heard while the engine is running and operable in all positions of the main switch except the off position shall be provided to immediately indicate the following conditions:

- (1) Critically low oil pressure in the lubrication system
- (2) High engine temperature
- (3) Failure of engine to start automatically
- (4) Shutdown from overspeed

(5) High cooling water temperature

12.4.1.3.1 The controller shall provide means for testing the low oil pressure alarms and circuit in conjunction with the engine circuit testing method.

12.4.1.3.2 Instructions shall be provided on how to test the operation of the signals in 12.4.1.3.

12.4.1.4 Separate visible indicators and a common audible signal capable of being heard while the engine is running and operable in all positions of the main switch except the off position shall be provided to immediately indicate the following conditions:

- (1)* Battery failure or missing battery. Each controller shall be provided with a separate visible indicator for each battery. The battery failure signal shall initiate at no lower than two-thirds of battery nominal voltage rating (8.0 V dc on a 12 V dc system). Sensing shall be delayed to prevent nuisance signals.
- (2) Battery charger failure. Each controller shall be provided with a separate visible indicator for battery charger failure and shall not require the audible signal for battery charger failure.
- (3) Low air or hydraulic pressure. Where air or hydraulic starting is provided (*see 11.2.7 and 11.2.7.4*), each pressure tank shall provide to the controller separate visible indicators to indicate low pressure.
- (4) System overpressure, for engines equipped with variable speed pressure limiting controls, to actuate at 115 percent of set pressure.
- (5) ECM selector switch in alternate ECM position (only for engines with ECM control only).
- (6)* Common alarm for fuel injection malfunction (only for engines with ECM control).
- (7) Low fuel level. Signal at two-thirds tank capacity.
- (8) Low air pressure (air-starting engine controllers only). The air supply container shall be provided with a separate visible indicator to indicate low air pressure.
- (9) Low engine temperature.
- (10) Supervisory signal for interstitial space liquid intrusion.
- (11) High cooling water temperature.
- (12) Fuel maintenance needed if automatic fuel maintenance system is provided.

12.4.1.5 A separate signal silencing switch or valve, other than the controller main switch, shall be provided for the conditions reflected in 12.4.1.3 and 12.4.1.4.

12.4.1.5.1 The switch or valve shall allow the audible device to be silenced for up to 4 hours and then re-sound repeatedly for the conditions in 12.4.1.3.

12.4.1.5.2 The switch or valve shall allow the audible device to be silenced for up to 24 hours and then re-sound repeatedly for the conditions in 12.4.1.4.

12.4.1.5.3 The audible device shall re-sound until the condition is corrected or the main switch is placed in the off position.

12.4.1.6* The controller shall automatically return to the nonsilenced state when the alarm(s) have cleared (returned to normal).

12.4.1.7 Where audible signals for the additional conditions listed in A.4.25 are incorporated with the engine fire pump alarms specified in 12.4.1.3, a silencing switch or valve for the

additional A.4.25 audible signals shall be provided at the controller.

12.4.1.8 The circuit shall be arranged so that the audible signal will be actuated if the silencing switch or valve is in the silent position when the supervised conditions are normal.

12.4.2 Signal Devices Remote from Controller.

12.4.2.1 Where the pump room is not constantly attended, audible or visible signals powered by a source other than the engine starting batteries and not exceeding 125 V shall be provided at a point of constant attendance.

12.4.2.2 Remote Indication. Controllers shall be equipped to operate circuits for remote indication of the conditions covered in 12.4.1.3, 12.4.1.4, and 12.4.2.3.

12.4.2.3 The remote panel shall indicate the following:

- (1) The engine is running (separate signal).
- (2) The controller main switch has been turned to the off or manual position (separate signal).
- (3)* There is trouble on the controller or engine (separate or common signals). (See 12.4.1.4 and 12.4.1.5.)

12.4.3 Controller Contacts for Remote Indication. Controllers shall be equipped with open or closed contacts to operate circuits for the conditions covered in 12.4.2.

12.4.4* Pressure Recorder.

12.4.4.1 A listed pressure recording device shall be installed to sense and record the pressure in each fire pump controller pressure-sensing line at the input to the controller.

12.4.4.2 The recorder shall be capable of operating for at least 7 days without being reset or rewound.

12.4.4.3 The pressure-sensing element of the recorder shall be capable of withstanding a momentary surge pressure of at least 400 psi (27.6 bar) or 133 percent of fire pump controller rated operating pressure, whichever is higher, without losing its accuracy.

12.4.4.4 The pressure recording device shall be spring wound mechanically or driven by reliable electrical means.

12.4.4.5 The pressure recording device shall not be solely dependent upon alternating current (ac) electric power as its primary power source.

12.4.4.6 Upon loss of ac electric power, the electric-driven recorder shall be capable of at least 24 hours of operation.

12.4.4.7 In a non-pressure-actuated controller, the pressure recorder shall not be required.

12.4.5 Voltmeter. A voltmeter with an accuracy of ± 5 percent shall be provided for each battery bank to indicate the voltage during cranking or to monitor the condition of batteries used with air-starting engine controllers.

12.5* Battery Recharging.

12.5.1 Two means for recharging storage batteries shall be provided.

12.5.2 One method shall be the generator or alternator furnished with the engine.

12.5.3 The other method shall be an automatically controlled charger taking power from an ac power source.

12.5.4 If an ac power source is not available or is not reliable, another charging method in addition to the generator or alternator furnished with the engine shall be provided.

12.6 Battery Chargers. The requirements for battery chargers shall be as follows:

- (1) Chargers shall be specifically listed for fire pump service and be part of the diesel fire pump controller.
- (2) Additional chargers also listed for fire pump service shall be permitted to be installed external to the diesel fire pump controller for added capacity or redundancy.
- (3) The rectifier shall be a semiconductor type.
- (4) The charger for a lead-acid battery shall be a type that automatically reduces the charging rate to less than 500 mA when the battery reaches a full charge condition.
- (5) The battery charger at its rated voltage shall be capable of delivering energy into a fully discharged battery in such a manner that it will not damage the battery.
- (6) The battery charger shall restore to the battery 100 percent of the battery's reserve capacity or ampere-hour rating within 24 hours.
- (7) The charger shall be marked with the reserve capacity or ampere-hour rating of the largest capacity battery that it can recharge in compliance with 12.6(4).
- (8) An ammeter with an accuracy of ± 5 percent of the normal charging rate shall be furnished to indicate the operation of the charger.
- (9) The charger shall be designed such that it will not be damaged or blow fuses during the cranking cycle of the engine when operated by an automatic or manual controller.
- (10) The charger shall automatically charge at the maximum rate whenever required by the state of charge of the battery.
- (11) The battery charger shall be arranged to indicate loss of current output on the load side of the direct current (dc) overcurrent protective device where not connected through a control panel. [See 12.4.1.4(2).]
- (12) The charger(s) shall remain in float mode or switch from equalize to float mode while the batteries are under the loads in 12.5.2.

12.7* Starting and Control.

12.7.1 Automatic and Nonautomatic.

12.7.1.1 An automatic controller shall be operable also as a nonautomatic controller.

12.7.1.2 The controller's primary source of power shall not be ac electric power.

12.7.2 Automatic Operation of Controller.

12.7.2.1 Water Pressure Control.

12.7.2.1.1 Pressure-Actuated Switch.

12.7.2.1.1.1 A pressure-actuated switch or electronic pressure sensor having adjustable high- and low-calibrated set-points as part of the controller shall be provided.

12.7.2.1.1.2 For multistage multiport pumps, a dedicated pressure-actuated switch or electronic pressure sensor as described in 12.7.2.1.1.1 shall be provided for each discharge port of the pump as part of the controller.

12.7.2.1.1.3 For multistage multipoint pumps, a dedicated pressure recorder as described in 12.4.4.1 shall be provided for each discharge port of the pump as part of the controller.

12.7.2.1.1.4 The requirements of 12.7.2.1.1.1 and 12.7.2.1.1.2 shall not apply to a non-pressure-actuated controller, where the pressure-actuated switch or pressure responsive means shall not be required.

12.7.2.1.2 There shall be no pressure snubber or restrictive orifice employed within the pressure switch or pressure responsive means.

12.7.2.1.3* Where an electronic pressure sensor is used to automatically control fire pump operation, the fire pump controller shall monitor the transducer during automatic testing.

12.7.2.1.3.1* When the transducer pressure reading exceeds 10 psi (0.68 bar) during any automatic pump start where initiated by the solenoid drain valve as required by 12.7.2.1.2.2, the controller shall activate a visual and audible alarm that can be silenced.

12.7.2.1.3.2* Where an electronic pressure sensor is used to control fire pump operation, the fire pump controller shall monitor for and provide a signal for the following electronic pressure sensor conditions.

- (1) Any time the transducer output is less than 10 percent of rated span or below its rated zero pressure output
- (2) Any time the pressure transducer reading is more than 10 percent above its rated full-scale output

12.7.2.1.4 There shall be no valve or other restrictions within the controller ahead of the pressure switch or pressure responsive means.

12.7.2.1.5 This switch shall be responsive to water pressure in the fire protection system.

12.7.2.1.6 The pressure sensing element of the switch shall be capable of a momentary surge pressure of 400 psi (27.6 bar) or 133 percent of fire pump controller rated operating pressure, whichever is higher, without losing its accuracy.

12.7.2.1.7 Suitable provision shall be made for relieving pressure to the pressure-actuated switch to allow testing of the operation of the controller and the pumping unit. [See Figure A.4.31(a) and Figure A.4.31(b).]

12.7.2.1.8 Water pressure control shall be as follows:

- (1) There shall be no shutoff valve in the pressure sensing line.
- (2) Pressure switch actuation at the low adjustment setting shall initiate the pump starting sequence if the pump is not already in operation.

12.7.2.2 Fire Protection Equipment Control.

12.7.2.2.1 Where the pump supplies special water control equipment (e.g., deluge valves, dry-pipe valves), the engine shall be permitted to start before the pressure-actuated switch(es) would do so.

12.7.2.2.2 Under such conditions, the controller shall be equipped to start the engine upon operation of the fire protection equipment.

12.7.2.2.3 Starting of the engine shall be initiated by the opening of the control circuit loop containing this fire protection equipment.

12.7.2.3 Manual Electric Control at Remote Station. Where additional control stations for causing nonautomatic continuous operation of the pumping unit, independent of the pressure-actuated switch or control valve, are provided at locations remote from the controller, such stations shall not be operable to stop the engine.

12.7.2.4 Automatic starting upon loss of ac power shall not be permitted unless required by the authority having jurisdiction.

12.7.2.5 Sequence Starting of Pumps.

12.7.2.5.1 The controller for each unit of multiple pump units shall incorporate a sequential timing device to prevent any one driver from starting simultaneously with any other driver.

12.7.2.5.2 Each pump supplying suction pressure to another pump shall be arranged to start within 10 seconds before the pump it supplies.

12.7.2.5.2.1 The controllers for pumps arranged in series shall be interlocked to ensure the correct pump starting sequence.

12.7.2.5.3 If water requirements call for more than one pumping unit to operate, the units shall start at intervals of 5 to 10 seconds.

12.7.2.5.4 Failure of a leading driver to start shall not prevent subsequent drivers from starting.

12.7.2.6 External Circuits Connected to Controllers.

12.7.2.6.1 With pumping units operating singly or in parallel, the control conductors entering or leaving the fire pump controller and extending outside the fire pump room shall be so arranged as to prevent failure to start due to fault.

12.7.2.6.2 Breakage, disconnecting, shorting of the wires, or loss of power to these circuits shall be permitted to cause continuous running of the fire pump but shall not prevent the controller(s) from starting the fire pump(s) due to causes other than these external circuits.

12.7.2.6.3 All control conductors within the fire pump room that are not fault tolerant shall be protected against mechanical injury.

12.7.2.6.4 When a diesel driver is used in conjunction with a positive displacement pump, the diesel controller shall provide a circuit and timer to actuate and then close the dump valve after engine start is finished.

12.7.2.7 Automatic Testing.

12.7.2.7.1 The controller equipment shall be arranged to automatically start, run, and shut down the engine at the minimum no-flow test frequency and duration required by NFPA 25.

12.7.2.7.2 Performance of this weekly program timer shall be recorded as a pressure drop indication on the pressure recorder. (See 12.4.4.)

12.7.2.7.3 A solenoid valve drain on the pressure control line shall be the initiating means.

12.7.2.7.4 The engine shall shut down automatically on high engine temperature, low oil pressure, or high cooling water temperature if no other starting or running cause exists.

12.7.2.7.5 If after shutdown a starting cause occurs, the controller shall restart the engine and override the high engine temperature, low oil pressure, or high cooling water temperature shutdowns and run in accordance with 12.7.5.2.

12.7.2.7.6 In a non-pressure-actuated controller, the weekly test shall be permitted to be initiated by means other than a solenoid valve.

12.7.2.7.7 The controller shall use the opposite battery bank (every other bank) for cranking on subsequent weeks.

12.7.3 Nonautomatic Operation of Controller.

12.7.3.1 Manual Control at Controller.

12.7.3.1.1 There shall be a manually operated switch or valve on the controller panel.

12.7.3.1.2 This switch or valve shall be so arranged that operation of the engine, when manually started, cannot be affected by the pressure-actuated switch.

12.7.3.1.3 The arrangement shall also provide that the unit will remain in operation until manually shut down.

12.7.3.1.4 Failure of any of the automatic circuits shall not affect the manual operation.

12.7.3.2 Manual Testing of Automatic Operation.

12.7.3.2.1 The controller shall be arranged to manually start the engine by opening the solenoid valve drain when so initiated by the operator.

12.7.3.2.2 In a non-pressure-actuated controller, the manual test shall be permitted to be initiated by means other than a solenoid valve.

12.7.4 Starting Equipment Arrangement. The requirements for starting equipment arrangement shall be as follows:

- (1) Two storage battery units, each complying with the requirements of 11.2.7.2, shall be provided and so arranged that manual and automatic starting of the engine can be accomplished with either battery unit.
- (2) The starting current shall be furnished by first one battery and then the other on successive operations of the starter.
- (3) The battery changeover shall be made automatically, except for manual start.
- (4) In the event that the engine does not start after completion of its attempt-to-start cycle, the controller shall stop all further cranking and operate a visible indicator and audible fire pump alarm on the controller.
- (5) The attempt-to-start cycle shall be fixed and shall consist of six crank periods of approximately 15-second duration separated by five rest periods of approximately 15-second duration.
- (6) In the event that one battery is inoperative or missing, the control shall lock in on the remaining battery unit during the cranking sequence.

12.7.5 Methods of Stopping.

12.7.5.1 Manual Electric Shutdown. Manual shutdown shall be accomplished by either of the following:

- (1) Operation of the main switch or stop valve inside the controller

- (2) Operation of a stop button or stop valve on the outside of the controller enclosure as follows:

- (a) The stop button or stop valve shall cause engine shutdown through the automatic circuits only if all starting causes have been returned to normal.
- (b) The controller shall then return to the full automatic position.

12.7.5.2* Automatic Shutdown After Automatic Start. Automatic shutdown shall not be permitted if starting and running causes are present.

12.7.5.2.1 Automatic shutdown shall be permitted only in the following circumstances:

- (1)* During automatic testing in accordance with 12.7.2.7.
- (2) When the engine overspeed shutdown device operates:
 - (a) The controller shall remove power from the engine running devices, prevent further cranking, energize the overspeed fire pump alarm, and lock out until manually reset.
 - (b) Resetting of the overspeed circuit shall be required at the engine and by resetting the controller main switch to the off position.
 - (c) The controller shall not be capable of being reset until the engine overspeed shutdown device is manually reset.
- (3) Where approved by the authority having jurisdiction.

12.7.5.2.2* Where automatic shutdown after automatic start is permitted, a minimum run timer set for at least 30 minutes shall be used.

12.7.6 Emergency Control. Automatic control circuits, the failure of which could prevent engine starting and running, shall be completely bypassed during manual start and run.

12.8 Air-Starting Engine Controllers.

12.8.1 Existing Requirements. In addition to the requirements in Sections 12.1 through 12.7, the requirements in Section 12.8 shall apply.

12.8.2 Starting Equipment Arrangement. The requirements for starting equipment arrangement shall be as follows:

- (1) The air supply container, complying with the requirements of 11.2.7.4.4, shall be provided and so arranged that manual and automatic starting of the engine can be accomplished.
- (2) In the event that the engine does not start after completion of its attempt-to-start cycle, the controller shall stop all further cranking and operate the audible and visible fire pump alarms.
- (3) The attempt-to-start cycle shall be fixed and shall consist of one crank period of an approximately 90-second duration.

12.8.3 Manual Shutdown. Manual shutdown shall be accomplished by either of the following:

- (1) Operation of a stop valve or switch on the controller panel
- (2) Operation of a stop valve or switch on the outside of the controller enclosure

12.8.3.1 The stop valve shall cause engine shutdown through the automatic circuits only after starting causes have been returned to normal.

12.8.3.2 This action shall return the controller to full automatic position.

Chapter 13 Steam Turbine Drive

13.1 General.

13.1.1 Acceptability.

13.1.1.1 Steam turbines of adequate power are acceptable prime movers for driving fire pumps.

13.1.1.1.1 Reliability of the turbines shall have been proved in commercial work.

13.1.1.2 The steam turbine shall be directly connected to the fire pump.

13.1.2 Turbine Capacity.

13.1.2.1 For steam boiler pressures not exceeding 120 psi (8.3 bar), the turbine shall be capable of driving the pump at its rated speed and maximum pump load with a pressure as low as 80 psi (5.5 bar) at the turbine throttle when exhausting against atmospheric back pressure with the hand valve open.

13.1.2.2 For steam boiler pressures exceeding 120 psi (8.3 bar), where steam is continuously maintained, a pressure 70 percent of the usual boiler pressure shall take the place of the 80 psi (5.5 bar) pressure required in 13.1.2.1.

13.1.2.3 In ordering turbines for stationary fire pumps, the purchaser shall specify the rated and maximum pump loads at rated speed, the rated speed, the boiler pressure, the steam pressure at the turbine throttle (if possible), and the steam superheat.

13.1.3* Steam Consumption.

13.1.3.1 Prime consideration shall be given to the selection of a turbine having a total steam consumption commensurate with the steam supply available.

13.1.3.2 Where multistage turbines are used, they shall be so designed that the pump can be brought up to speed without a warmup time requirement.

13.2 Turbine.

13.2.1 Casing and Other Parts.

13.2.1.1* The casing shall be designed to permit access with the least possible removal of parts or piping.

13.2.1.2 A safety valve shall be connected directly to the turbine casing to relieve high steam pressure in the casing.

13.2.1.3 Main Throttle Valve.

13.2.1.3.1 The main throttle valve shall be located in a horizontal run of pipe connected directly to the turbine.

13.2.1.3.2 There shall be a water leg on the supply side of the throttle valve.

13.2.1.3.3 This leg shall be connected to a suitable steam trap to automatically drain all condensate from the line supplying steam to the turbine.

13.2.1.3.4 Steam and exhaust chambers shall be equipped with suitable condensate drains.

13.2.1.3.5 Where the turbine is automatically controlled, these drains shall discharge through adequate traps.

13.2.1.3.6 In addition, if the exhaust pipe discharges vertically, there shall be an open drain at the bottom elbow.

13.2.1.3.7 This drain shall not be valved but shall discharge to a safe location.

13.2.1.4 The nozzle chamber, governor-valve body, pressure regulator, and other parts through which steam passes shall be made of a metal able to withstand the maximum temperatures involved.

13.2.2 Speed Governor.

13.2.2.1 The steam turbine shall be equipped with a speed governor set to maintain rated speed at maximum pump load.

13.2.2.2 The governor shall be capable of maintaining, at all loads, the rated speed within a total range of approximately 8 percent from no turbine load to full-rated turbine load by either of the following methods:

- (1) With normal steam pressure and with hand valve closed
- (2) With steam pressures down to 80 psi (5.5 bar) [or down to 70 percent of full pressure where this is in excess of 120 psi (8.3 bar)] and with hand valve open

13.2.2.3 While the turbine is running at rated pump load, the speed governor shall be capable of adjustment to secure speeds of approximately 5 percent above and 5 percent below the rated speed of the pump.

13.2.2.4 There shall also be provided an independent emergency governing device.

13.2.2.5 The independent emergency governing device shall be arranged to shut off the steam supply at a turbine speed approximately 20 percent higher than the rated pump speed.

13.2.3 Gauge and Gauge Connections.

13.2.3.1 A listed steam pressure gauge shall be provided on the entrance side of the speed governor.

13.2.3.2 A 0.25 in. (6 mm) pipe tap for a gauge connection shall be provided on the nozzle chamber of the turbine.

13.2.3.3 The gauge shall indicate pressures not less than one and one-half times the boiler pressure and in no case less than 240 psi (16.5 bar).

13.2.3.4 The gauge shall be marked "Steam."

13.2.4 Rotor.

13.2.4.1 The rotor of the turbine shall be of suitable material.

13.2.4.2 The first unit of a rotor design shall be type tested in the manufacturer's shop at 40 percent above rated speed.

13.2.4.3 All subsequent units of the same design shall be tested at 25 percent above rated speed.

13.2.5 Shaft.

13.2.5.1 The shaft of the turbine shall be of high-grade steel, such as open-hearth carbon steel or nickel steel.

13.2.5.2 Where the pump and turbine are assembled as independent units, a flexible coupling shall be provided between the two units.

13.2.5.3 Where an overhung rotor is used, the shaft for the combined unit shall be in one piece with only two bearings.

13.2.5.4 The critical speed of the shaft shall be well above the highest speed of the turbine so that the turbine will operate at all speeds up to 120 percent of rated speed without objectionable vibration.

13.2.6 Bearings.

13.2.6.1 Sleeve Bearings. Turbines having sleeve bearings shall have split-type bearing shells and caps.

13.2.6.2 Ball Bearings.

13.2.6.2.1 Turbines having ball bearings shall be acceptable after they have established a satisfactory record in the commercial field.

13.2.6.2.2 Means shall be provided to give visible indication of the oil level.

13.3* Installation. Details of steam supply, exhaust, and boiler feed shall be carefully planned to provide reliability and effective operation of a steam turbine-driven fire pump.

Chapter 14 Acceptance Testing, Performance, and Maintenance

14.1 Hydrostatic Tests and Flushing.

14.1.1* Flushing.

14.1.1.1 Suction piping shall be flushed at a flow rate not less than indicated in Table 14.1.1.1 or at the hydraulically calculated water demand rate of the system, whichever is greater.

14.1.1.2 Flushing shall occur prior to hydrostatic test.

14.1.1.3 Where the maximum flow available from the water supply cannot provide the flow rate provided in Table 14.1.1.1, the flushing flow rate shall be equal to or greater than 150 percent of rated flow of the connected fire pump.

14.1.1.3.1 Where the maximum flow available from the water supply cannot provide a flow of 150 percent of the rated flow of the pump, the flushing flow rate shall be the greater of 100 percent of rated flow of the connected fire pump or the maximum flow demand of the fire protection system.

Table 14.1.1.1 Minimum Flow Rates for Flushing Suction Piping

Nominal Pipe Size		Nominal Pipe Size	
(in.)	Flow rate (gpm)	(mm)	Flow Rate (L/min)
1½	85	38	345
2	150	50	540
3	330	75	1,380
4	590	100	2,160
5	920	125	3,490
6	1,360	150	4,850
8	2,350	200	8,900
10	3,670	250	13,900
12	5,290	300	20,030

14.1.1.3.2 A reduced flushing flow capacity in accordance with 14.1.1.3.1 shall constitute an acceptable test, provided that the flow rate is as much as can be safely achieved and it exceeds the fire protection system design flow rate.

14.1.2 Hydrostatic Test.

14.1.2.1 Suction and discharge piping shall be hydrostatically tested at not less than 200 psi (13.8 bar) pressure or at 50 psi (3.4 bar) in excess of the maximum pressure to be maintained in the system, whichever is greater.

14.1.2.2 The pressure required in 14.1.2.1 shall be maintained for 2 hours.

14.1.3* The installing contractor shall furnish a certificate for flushing and hydrostatic test prior to the start of the fire pump field acceptance test.

14.2 Field Acceptance Tests.

14.2.1* The pump manufacturer, the engine manufacturer (when supplied), the controller manufacturer, and the transfer switch manufacturer (when supplied) or their factory-authorized representatives shall be present for the field acceptance test. (See Section 4.4.)

14.2.2 The date, time, and location of the field acceptance test shall be coordinated with the authority having jurisdiction.

14.2.3 Pump Room Electrical Wiring. All electric wiring to the fire pump motor(s), including control (multiple pumps) interwiring, normal power supply, alternate power supply where provided, and jockey pump, shall be completed and checked by the electrical contractor prior to the initial startup and acceptance test.

14.2.4* Certified Pump Curve.

14.2.4.1 A copy of the manufacturer's certified pump test curve shall be available for comparison with the results of the field acceptance test.

14.2.4.1.1 For water mist positive displacement pumping units, a copy of the manufacturer's certified shop test data for both variable speed and non-variable speed operation shall be available for comparison of the results of the field acceptance test.

14.2.4.1.2 For multistage multiport pumps, a copy of the manufacturer's certified shop test data for each discharge outlet shall be available for comparison with the results of the field acceptance test.

14.2.4.2 At all flow conditions, including those required to be tested in 14.2.6.2, the fire pump as installed shall equal the performance as indicated on the manufacturer's certified shop test curve within the accuracy limits of the test equipment.

14.2.4.2.1 For water mist positive displacement pumping units with variable speed features, the pump unit as installed shall equal the performance as indicated on the fire pump unit manufacturer's certified shop test data, with variable speed features deactivated within the accuracy limits of the test equipment.

14.2.4.2.2 For water mist positive displacement pumping units, the pump unit as installed shall equal the performance as indicated on the fire pump unit manufacturer's certified shop test data, with variable speed features activated within the accuracy limits of the test equipment.

14.2.5 System Demand. The actual unadjusted fire pump discharge flows and pressures installed shall meet or exceed the fire protection system's demand.

14.2.6* Field Acceptance Test Procedures.

14.2.6.1* Test Equipment.

14.2.6.1.1 Calibrated test equipment shall be provided to determine net pump pressures, rate of flow through the pump, volts and amperes, and speed.

14.2.6.1.2 Calibrated test gauges, transducers, and other devices used for measurements required in 14.2.6.1.1 during the test shall be used and shall bear a label with the latest date of calibration.

14.2.6.1.2.1 Gauges, transducers, and other devices used for measurements required in 14.2.6.1.1 during the test shall be calibrated annually at minimum.

14.2.6.1.2.2 Calibration of gauges, transducers, and other devices used for measurements required in 14.2.6.1.1 during the test shall be maintained at an accuracy level of ± 1 percent.

14.2.6.1.2.3 Fire pump controller voltage and current readings on controllers that are factory calibrated and adjusted to ± 3 percent shall be permitted to be used in lieu of calibrated volt/amp meters for the acceptance test.

14.2.6.1.2.4 Fixed outlet flow devices shall be inspected for damage, but they shall not require calibration.

14.2.6.1.3 Discharge and sensing orifices that can be visually observed without disassembling equipment, piping, or valves shall be visually inspected and shall be free of damage and obstructions that could affect the accuracy of the measurement.

14.2.6.1.4 Discharge orifices shall be listed or constructed to a recognized standard with a known discharge coefficient.

14.2.6.1.5 Requirements for personal protective equipment and procedures in accordance with *NFPA 70E* shall be followed when working near energized electrical or rotating equipment.

14.2.6.2 Fire Pump Flow Testing(s).

14.2.6.2.1 The fire pump shall perform at minimum, rated, and peak loads without objectionable overheating of any component.

14.2.6.2.2* Vibrations of the fire pump assembly shall not be of a magnitude to pose potential damage to any fire pump component.

14.2.6.2.3 The minimum, rated, and peak loads of the fire pump shall be determined by controlling the quantity of water discharged through approved test devices.

14.2.6.2.3.1 Where simultaneous operation of multiple pumps is possible or required as part of a system design, the acceptance test shall include a flow test of all pumps operating simultaneously.

14.2.6.2.4 Where the maximum flow available from the water supply cannot provide a flow of 150 percent of the rated flow of the pump, the fire pump shall be operated at the greater of 100 percent of rated flow or the maximum flow demand of the fire protection system(s) maximum allowable discharge to determine its acceptance.

14.2.6.2.4.1 This reduced capacity shall constitute an acceptable test, provided that the pump discharge exceeds the fire protection system design and flow rate.

14.2.6.2.5 Where the suction to the fire pump is from a break tank, the tank refill rate shall be tested and recorded.

14.2.6.2.5.1 The refill device shall be operated a minimum of five times.

14.2.6.2.6 Water Level Detection. Water level detection shall be required for all vertical turbine pumps installed in wells to determine the water level available at the shutoff and the 100 percent and 150 percent flow points, to determine if the pump is operating within its design conditions.

14.2.6.2.6.1 The distance between the water level and the discharge flange shall be used to determine the net discharge pressure of the pump to prove the pump's performance.

14.2.6.3 Variable Speed Pressure Limiting Control.

14.2.6.3.1 Pumps with variable speed pressure limiting control shall be tested at no-flow, 25 percent, 50 percent, 75 percent, 100 percent, 125 percent, and 150 percent of rated load in the variable speed mode.

14.2.6.3.1.1 They shall also be tested at minimum, rated, and peak loads, with the fire pump operating at rated speed.

14.2.6.3.2 The fire protection system shall be isolated and the pressure relief valve closed for the rated speed tests required in 14.2.6.3.1.1.

14.2.6.3.3 The fire protection system shall be open and the relief valve set for the variable speed tests required in 14.2.6.3.1.

14.2.6.4 Multistage Multiport Pumps.

14.2.6.4.1 Each discharge outlet on a multistage multiport fire pump shall be tested in accordance with this standard.

14.2.6.5* Measurement Procedure.

14.2.6.5.1 The quantity of water discharging from the fire pump assembly shall be determined and stabilized.

14.2.6.5.2 Immediately thereafter, the operating conditions of the fire pump and driver shall be measured.

14.2.6.5.3 Positive Displacement Pumps.

14.2.6.5.3.1 The pump flow for positive displacement pumps shall be tested and determined to meet the specified rated performance criteria where only one performance point is required to establish positive displacement pump acceptability.

14.2.6.5.3.2 The pump flow test for positive displacement pumps shall be accomplished using a flowmeter or orifice plate installed in a test loop back to the supply tank, to the inlet side of a positive displacement water pump, or to drain.

14.2.6.5.3.3 The flowmeter reading or discharge pressure shall be recorded and shall be in accordance with the pump manufacturer's flow performance data.

14.2.6.5.3.4 If orifice plates are used, the orifice size and corresponding discharge pressure to be maintained on the upstream side of the orifice plate shall be made available to the authority having jurisdiction.

14.2.6.5.3.5 Flow rates shall be as specified while operating at the system design pressure. Tests shall be performed in accordance with HI 3.6, *Rotary Pump Tests*.

14.2.6.5.3.6 Positive displacement pumps intended to pump liquids other than water shall be permitted to be tested with water; however, the pump performance will be affected, and manufacturer's calculations shall be provided showing the difference in viscosity between water and the system liquid.

14.2.6.5.3.7 For water mist positive displacement pumping units, each pump shall be operated manually a minimum of six times during the acceptance test.

14.2.6.5.3.8 For water mist positive displacement pumping units, each of the required automatic operations shall operate all pumps, except as provided in 14.2.6.5.3.9 and 14.2.6.5.3.10.

14.2.6.5.3.9 Where redundant pumps are provided, each of the automatic operations shall operate the number of pumps required to meet system demand.

14.2.6.5.3.10 Where redundant pumps are provided, each pump shall operate for a minimum of three automatic operations.

14.2.6.5.4 Electric Motor-Driven Units. For electric motors operating at rated voltage and frequency, the ampere demand on each phase shall not exceed the product of the full-load ampere rating times the allowable service factor as stamped on the motor nameplate.

14.2.6.5.5* For electric motors operating under varying voltage, the product of the actual voltage and current demand on each phase shall not exceed the product of the rated voltage and rated full-load current times the allowable service factor.

14.2.6.5.6 The voltage at the motor contactor output lugs shall not vary more than 5 percent below or 10 percent above rated (nameplate) voltage during the test. (*See Section 9.4.*)

14.2.6.5.7 Engine-Driven Units.

14.2.6.5.7.1 When dry charge batteries have been supplied, electrolyte shall be added to the batteries a minimum of 24 hours prior to the time the engine is to be started and the batteries given a conditioning charge.

14.2.6.5.7.2 Engine-driven units shall not show signs of overload or stress.

14.2.6.5.7.3 The governor of such units shall be set at the time of the test to properly regulate the engine speed at rated pump speed. (*See 11.2.4.1.*)

14.2.6.5.7.4 Engines equipped with a variable speed control shall have the variable speed control device nonfunctioning when the governor field adjustment in 11.2.4.1 is set and secured.

14.2.6.5.8 Steam Turbine-Driven Units. The steam turbine shall maintain its speed within the limits specified in 13.2.2.

14.2.6.5.9 Right Angle Gear Drive Units. The gear drive assembly shall operate without excessive objectionable noise, vibration, or heating.

14.2.6.6 Loads Start Test. The fire pump unit shall be started and brought up to rated speed without interruption under the conditions of a discharge equal to peak load.

14.2.6.7* Phase Reversal Test. For electric motors, a test shall be performed to ensure that there is not a phase reversal condition in either the normal power supply configuration or from the alternate power supply (where provided).

14.2.7 Controller Acceptance Test for Electric and Diesel Driven Units.

14.2.7.1* Fire pump controllers shall be tested in accordance with the manufacturer's recommended test procedure.

14.2.7.2 As a minimum, no fewer than six automatic and six manual operations shall be performed during the acceptance test.

14.2.7.3 An electric-driven fire pump shall be operated for a period of at least 5 minutes at full speed during each of the operations required in 14.2.7.2.

14.2.7.4 An engine driver shall not be required to run for 5 minutes at full speed between successive starts until the cumulative cranking time of successive starts reaches 45 seconds.

14.2.7.5 The automatic operation sequence of the controller shall start the pump from all provided starting features.

14.2.7.6 This sequence shall include pressure switches or remote starting signals.

14.2.7.7 Tests of engine-driven controllers shall be divided between both sets of batteries.

14.2.7.8 The selection, size, and setting of all overcurrent protective devices, including fire pump controller circuit breaker, shall be confirmed to be in accordance with this standard.

14.2.7.9 The fire pump shall be started once from each power service and run for a minimum of 5 minutes.

CAUTION: Manual emergency operation shall be accomplished by manual actuation of the emergency handle to the fully latched position in a continuous motion. The handle shall be latched for the duration of this test run.

14.2.8 Alternate Power Supply.

14.2.8.1 On installations with an alternate source of power and an automatic transfer switch, loss of primary source shall be simulated and transfer shall occur while the pump is operating at peak load.

14.2.8.2 Transfer from normal to alternate source and retransfer from alternate to normal source shall not cause opening of overcurrent protection devices in either line.

14.2.8.3 At least half of the manual and automatic operations of 14.2.7.2 shall be performed with the fire pump connected to the alternate source.

14.2.8.4 If the alternate power source is a generator set required by 9.3.2, installation acceptance shall be in accordance with NFPA 110.

14.2.9 Emergency Governor for Steam Driven Units.

14.2.9.1 Emergency governor valve for steam shall be operated to demonstrate satisfactory performance of the assembly.

14.2.9.2 Hand tripping shall be acceptable.

14.2.10 Simulated Conditions. Both local and remote signals and fire pump alarm conditions shall be simulated to demonstrate satisfactory operation.

14.2.11* Test Duration. The fire pump or foam concentrate pump shall be in operation for not less than 1 hour total time during all of the foregoing tests.

14.2.12* Electronic Fuel Management (ECM). For engines with electronic fuel management (ECM) control systems, a function test of both the primary and the alternate ECM shall be conducted.

14.3* Record Drawings, Test Reports, Manuals, Special Tools, and Spare Parts.

14.3.1 One set of record drawings shall be provided to the building owner.

14.3.2 One copy of the completed test report shall be provided to the building owner.

14.3.3* One set of instruction manuals for all major components of the fire pump system shall be supplied by the manufacturer of each major component.

14.3.4 The manual shall contain the following:

- (1) A detailed explanation of the operation of the component
- (2) Instructions for routine maintenance
- (3) Detailed instructions concerning repairs
- (4) Parts list and parts identification
- (5) Schematic electrical drawings of controller, transfer switch, and fire pump control panels
- (6)* List of recommended spare parts and lubricants

14.3.5 Any special tools and testing devices required for routine maintenance shall be available for inspection by the authority having jurisdiction at the time of the field acceptance test.

14.4 Periodic Inspection, Testing, and Maintenance. Fire pumps shall be inspected, tested, and maintained in accordance with NFPA 25.

14.5 Component Replacement.

14.5.1 Positive Displacement Pumps.

14.5.1.1 Whenever a critical path component in a positive displacement fire pump is replaced, as defined in 14.5.2.5, a field test of the pump shall be performed.

14.5.1.2 If components that do not affect performance are replaced, such as shafts, then only a functional test shall be required to ensure proper installation and reassembly.

14.5.1.3 If components that affect performance are replaced, such as rotors, plungers, and so forth, then a retest shall be conducted by the pump manufacturer or designated representative or qualified persons acceptable to the authority having jurisdiction.

14.5.1.3.1 For water mist positive displacement pumping units, the retest shall include the pump unit as a whole.

14.5.1.4 Field Retest Results.

14.5.1.4.1 The field retest results shall be compared to the original pump performance as indicated by the fire pump

manufacturer's original factory-certified test curve, whenever it is available.

14.5.1.4.2 The field retest results shall meet or exceed the performance characteristics as indicated on the pump nameplate, and the results shall be within the accuracy limits of field testing as stated elsewhere in this standard.

14.5.2 Centrifugal Pumps.

14.5.2.1 Whenever a critical path component in a piece of centrifugal pump equipment is replaced, changed, or modified, a field/on-site retest shall be performed.

14.5.2.2 The replacement of components in fire pumps, fire pump controllers, and drivers shall be performed by factory-authorized representatives or qualified persons acceptable to the authority having jurisdiction.

14.5.2.3* When an ECM on an electronic fuel management-controlled engine is replaced, the replacement ECM shall include the same software programming that was in the original ECM.

14.5.2.4 Component Replacement. The requirements of Table 8.6.1 of NFPA 25 shall be followed for component replacement testing.

14.5.2.4.1 Replacement parts shall be provided that will maintain the listing for the fire pump component whenever possible.

14.5.2.4.2 If it is not possible to maintain the listing of a component or if the component was not originally listed for fire protection use, the replacement parts shall meet or exceed the quality of the parts being replaced.

14.5.2.5 Critical path components include the following features of the pump equipment:

- (1) Fire pumps
 - (a) Impeller, casing
 - (b) Gear drives
- (2) Fire pump controllers (electric or diesel): total replacement
- (3) Electric motor, steam turbines, or diesel engine drivers
 - (a) Electric motor replacement
 - (b) Steam turbine replacement or rebuild
 - (c) Steam regulator or source upgrade
 - (d) Engine replacement or engine rebuild

14.5.2.6 Whenever replacement, change, or modification to a critical path component is performed on a fire pump, driver, or controller, as described in 14.5.2.5, a new acceptance test shall be conducted by the pump manufacturer, factory-authorized representative, or qualified persons acceptable to the authority having jurisdiction.

14.5.2.7 Field Retests.

14.5.2.7.1 The field retest results shall be compared to the original pump performance as indicated by the original factory-certified test curve, whenever it is available.

14.5.2.7.2 The field retest results shall meet or exceed the performance characteristics as indicated on the pump nameplate, and they shall be within the accuracy limits of field testing as stated elsewhere in this standard.

Annex A Explanatory Material

Annex A is not a part of the requirements of this NFPA document but is included for informational purposes only. This annex contains explanatory material, numbered to correspond with the applicable text paragraphs.

A.1.1 For more information, see NFPA 25 and NFPA 70, Article 695.

A.3.2.1 Approved. The National Fire Protection Association does not approve, inspect, or certify any installations, procedures, equipment, or materials; nor does it approve or evaluate testing laboratories. In determining the acceptability of installations, procedures, equipment, or materials, the authority having jurisdiction may base acceptance on compliance with NFPA or other appropriate standards. In the absence of such standards, said authority may require evidence of proper installation, procedure, or use. The authority having jurisdiction may also refer to the listings or labeling practices of an organization that is concerned with product evaluations and is thus in a position to determine compliance with appropriate standards for the current production of listed items.

A.3.2.2 Authority Having Jurisdiction (AHJ). The phrase “authority having jurisdiction,” or its acronym AHJ, is used in NFPA documents in a broad manner, since jurisdictions and approval agencies vary, as do their responsibilities. Where public safety is primary, the authority having jurisdiction may be a federal, state, local, or other regional department or individual such as a fire chief; fire marshal; chief of a fire prevention bureau, labor department, or health department; building official; electrical inspector; or others having statutory authority. For insurance purposes, an insurance inspection department, rating bureau, or other insurance company representative may be the authority having jurisdiction. In many circumstances, the property owner or his or her designated agent assumes the role of the authority having jurisdiction; at government installations, the commanding officer or departmental official may be the authority having jurisdiction.

A.3.2.3 Listed. The means for identifying listed equipment may vary for each organization concerned with product evaluation; some organizations do not recognize equipment as listed unless it is also labeled. The authority having jurisdiction should utilize the system employed by the listing organization to identify a listed product.

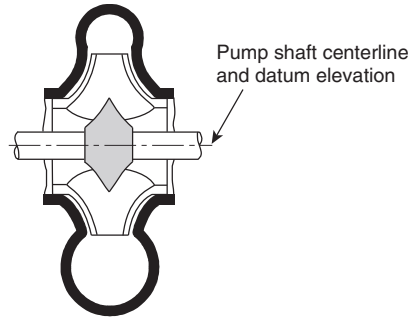
A.3.3.15.1 Diesel Engine. The oil-diesel engine operates on fuel oil injected near top dead center of the compression stroke. The combustion is effected within the working cylinder and not in external chambers.

A.3.3.25 Head. The unit for measuring head is the foot (meter). The relation between pressure expressed in pounds per square inch (bar) and pressure expressed in feet (meters) of head is expressed by the following formulas:

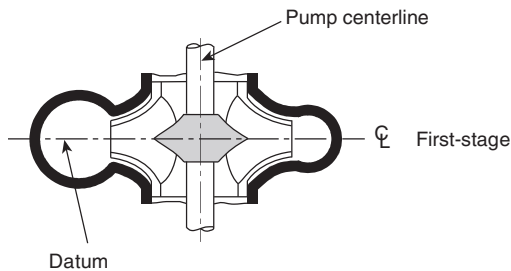
[A.3.3.25]

$$\text{Head in feet} = \frac{\text{Pressure in psi}}{0.433 \text{ specific gravity}}$$

$$\text{Head in meters} = \frac{\text{Pressure in bar}}{0.098 \text{ specific gravity}}$$



Horizontal double-suction pump



Vertical double-suction pump

Notes:

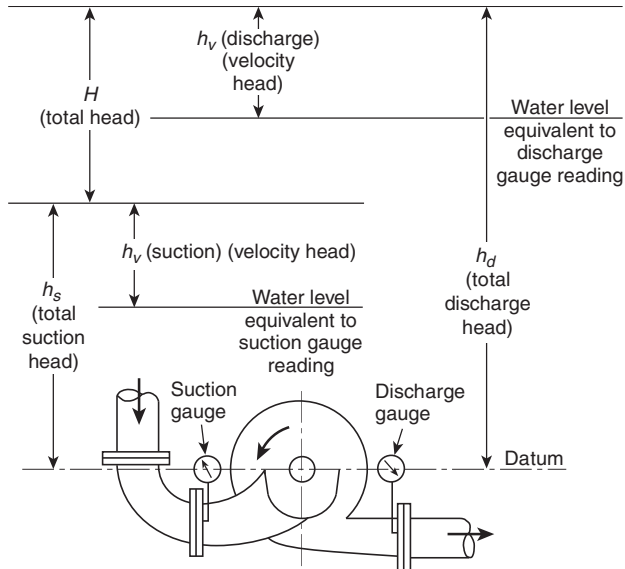
- (1) For all types of horizontal shaft pumps (single-stage double-suction pump shown). Datum is same for multistage, single- (end) suction ANSI-type or any pump with a horizontal shaft.
- (2) For all types of vertical shaft pumps (single-stage vertical double-suction pump shown). Datum is same for single- (end) suction, in-line, or any pump with a vertical shaft.

FIGURE A.3.3.25 Datum Elevation of Two Stationary Pump Designs.

In terms of foot-pounds (meter-kilograms) of energy per pound (kilogram) of water, all head quantities have the dimensions of feet (meters) of water. All pressure readings are converted into feet (meters) of the water being pumped. (See Figure A.3.3.25.)

A.3.3.25.3.1 Total Head (H), Horizontal Pumps. See Figure A.3.3.25.3.1. (Figure A.3.3.25.3.1 does not show the various types of pumps applicable.)

A.3.3.25.3.2 Total Head (H), Vertical Turbine Pumps. See Figure A.3.3.25.3.2.



Note: Installation with suction head above atmospheric pressure shown.

FIGURE A.3.3.25.3.1 Total Head of All Types of Stationary (Not Vertical Turbine-Type) Fire Pumps.

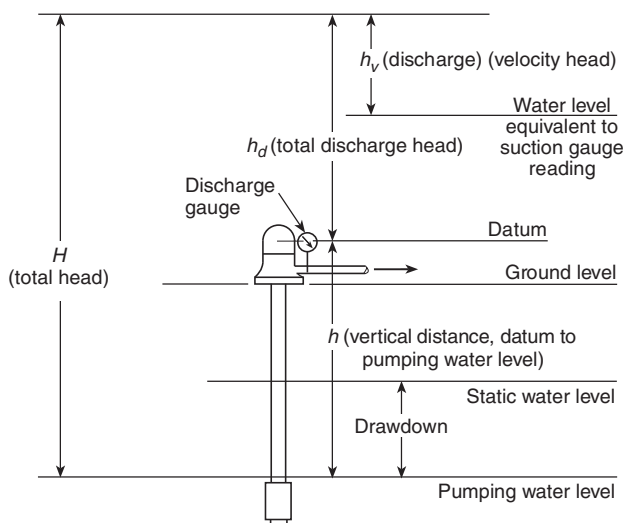


FIGURE A.3.3.25.3.2 Total Head of Vertical Turbine-Type Fire Pumps.

A.3.3.25.6 Velocity Head (h_v). For the purpose of this standard, the velocity head is calculated using the average velocity, which can be obtained by dividing the flow in cubic feet per second (or cubic meters per second) by the actual area of pipe cross section in square feet (or square meters). The velocity head is the vertical distance a body would have to fall to acquire the velocity (v). The velocity head (h_v) is expressed by the following formula:

[A.3.3.25.6]

$$h_v = \frac{v^2}{2g}$$

where:

v = velocity in the pipe [ft/sec (m/sec)]

g = acceleration due to gravity: 32.17 ft/sec² (9.807 m/sec²) at sea level and 45 degrees latitude

A.3.3.38 No Flow (Churn, Shutoff). A small discharge of water is required to prevent the pump from overheating when operating under no flow (churn) conditions.

A.3.3.40 On-Site Standby Generator. It differs from an on-site power production facility in that it is not constantly producing power.

A.3.3.41 Peak Load. The maximum power requirements for a centrifugal pump typically occur when the pump is operating between 130 percent and 150 percent of the rated flow. The required power could continue to increase beyond 150 percent of rated flow, but NFPA 20 does not require testing beyond 150 percent of rated flow. The peak load can be determined by looking at the horsepower curve on the fire pump curve supplied by the pump manufacturer.

A.3.3.42.2 Net Pressure (Differential Pressure). The net pressure (differential pressure) includes the difference in velocity head correction (pressure) from the pump discharge to the pump suction. In many cases, the difference in suction and discharge velocity head correction (pressure) is small and can be ignored without adversely affecting the evaluation of the pump performance.

A.3.3.44.11 Multistage Multiport Pump. A multistage multiport pump functions similarly to fire pumps arranged in series. The primary difference between a multistage multiport pump and fire pumps arranged in series is that individual drivers are required for fire pumps arranged in series, and no shutoff valve is provided between the impellers on a multistage multiport pump.

A.3.3.44.19 Water Mist Positive Displacement Pumping Unit. It is not the intent of this standard to apply this term to individual pumps used to supply water mist systems. This term is intended to apply to water mist systems designed with multiple pumps where a pump operates individually or multiple pumps operate in parallel based on the demand of the system downstream and the number of nozzles that discharge. These pumps work together as a single unit to provide the necessary flow and pressure of the water mist system.

A.3.3.50 Series Fire Pump Unit. Pumps that fill tanks are not considered to be in series with the pumps supplied by those tanks. Water utilities and "campus type" water distribution systems that supply a fire pump within a building can have pumps that operate independently of, but are necessary to, the

operation of a fire pump within the building. These pumps are not included within the definition of series fire pump unit, but the arrangement of these pumps should be reviewed as part of evaluating the water supply.

A.3.3.51 Service. For more information, see *NFPA 70*, Article 100.

A.3.3.52 Service Equipment. For more information, see *NFPA 70*, Article 100.

A.3.3.56 Signal. A response to signals is expected within 2 hours.

A.4.2 Because of the unique nature of fire pump units, the approval should be obtained prior to the assembly of any specific component.

A.4.3.2.3(2) Nationally recognized fire protection certification programs include, but are not limited to, those programs offered by the International Municipal Signal Association (IMSA) and the National Institute for Certification in Engineering Technologies (NICET). Note: These organizations and the products or services offered by them have not been independently verified by the NFPA, nor have the products or services been endorsed or certified by the NFPA or any of its technical committees.

A.4.3.3.3(2) See A.4.3.2.3(2).

A.4.3.4 Service personnel should be able to do the following:

- (1) Understand the requirements contained in this standard and in *NFPA 25* and the fire pump requirements contained in *NFPA 70*
- (2) Understand basic job site safety laws and requirements
- (3) Apply troubleshooting techniques and determine the cause of fire protection system trouble conditions
- (4) Understand equipment-specific requirements, such as programming, application, and compatibility
- (5) Read and interpret fire protection system design documentation and manufacturers' inspection, testing, and maintenance guidelines
- (6) Properly use tools and equipment required for testing and maintenance of fire protection systems and their components
- (7) Properly apply the test methods required by this standard and *NFPA 25*

A.4.3.4.2(2) See A.4.3.2.3(2).

A.4.4.1 A single entity should be designated as having unit responsibility for the pump, driver, controller, transfer switch equipment, and accessories. *Unit responsibility* means the accountability to answer and resolve any and all problems regarding the installation, compatibility, performance, and acceptance of the equipment. Unit responsibility should not be construed to mean purchase of all components from a single supplier.

A.4.6.1 For water supply capacity and pressure requirements, see the following documents:

- (1) *NFPA 1*
- (2) *NFPA 13*
- (3) *NFPA 14*
- (4) *NFPA 15*
- (5) *NFPA 16*
- (6) *NFPA 750*

A.4.6.2 Where the suction supply is from a factory-use water system, pump operation at 150 percent of rated capacity should not create hazardous process upsets due to low water pressure.

A.4.6.4 Water sources containing salt or other materials deleterious to the fire protection systems should be avoided.

Where the authority having jurisdiction approves the start of an engine-driven fire pump on loss of ac power supply, the liquid supply should be sufficient to meet the additional cooling water demand.

A.4.7.1 This subsection does not preclude the use of pumps in public and private water supplies that provide water for domestic, process, and fire protection purposes. Such pumps are not fire pumps and are not expected to meet all the requirements of this standard. Such pumps are permitted for fire protection if they are considered reliable by the analysis mandated in Section 4.6. Evaluating the reliability should include at least the levels of supervision and rapid response to problems as are typical in municipal water systems.

If a private development (campus) needs a fire protection pump, this is typically accomplished by installing a dedicated fire pump (in accordance with this standard) in parallel with a domestic pump or as part of a dedicated fire branch/loop off a water supply.

A.4.7.3 It is not the intent of this subsection to require replacement of dual driver installations made prior to the adoption of the 1974 edition of this standard.

A.4.7.6 For centrifugal and turbine pumps, the maximum brake horsepower required to drive the pump typically occurs at a flow beyond 150 percent of the rated capacity. For positive displacement pumps, the maximum brake horsepower required to drive the pump typically occurs when the relief valve is flowing 100 percent of the rated pump capacity. Pumps connected to variable speed drivers can operate at lower speeds, but the driver needs to be selected based upon the power required to drive the pump at rated speed and maximum pump load under any flow condition.

A.4.7.7 A pressure relief valve is not an acceptable method of reducing system pressure under normal operating conditions. Prior to the 2003 edition, *NFPA 20* did not strictly prohibit the use of pressure relief valves for management of excessive pressure at churn or low water flow conditions and only recognized it as a poor design practice as part of the 1999 edition. Existing installations designed under previous editions of *NFPA 20* and containing pressure relief valves designed for such purposes might still be in service.

A.4.7.7.2 It is not the intent of this subsection to restrict the use of pressure reducing valves downstream of the discharge isolation valve for the purpose of meeting the requirements of 4.7.7.

A.4.7.7.3.2 This requirement is intended to take into consideration the set pressure tolerance performance of the variable speed pressure limiting control as stated by the manufacturer.

A.4.9 The performance of the pump when applied at capacities over 140 percent of rated capacity can be adversely affected by the suction conditions. Application of the pump at capacities less than 90 percent of the rated capacity is not recommended.

The selection and application of the fire pump should not be confused with pump operating conditions. With proper suction conditions, the pump can operate at any point on its characteristic curve from shutoff to 150 percent of its rated capacity.

A.4.9.2 In countries that use the metric system, there do not appear to be standardized flow ratings for pump capacities; therefore, the metric conversions listed in Table 4.9.2 are soft conversions.

A.4.11.2 For protection against damage from overpressure, where desired, a gauge protector should be installed.

A.4.13 Special consideration needs to be given to fire pump installations installed below grade. Light, heat, drainage, ventilation, and potential flooding are several of the variables that need to be addressed. Some locations or installations might not require a pump house. Where a pump room or pump house is required, it should be of ample size and located to permit short and properly arranged piping. The suction piping should receive first consideration. The pump house should preferably be a detached building of noncombustible construction. A one-story pump room with a combustible roof, either detached or well protected from an adjoining one-story building, is acceptable if sprinklered. Where a detached building is not feasible, the pump room should be located and constructed to protect the pump unit and controls from falling floors or machinery, and from fire that could drive away the pump operator or damage the pump unit or controls. Access to the pump room should be provided from outside the building. Where the use of brick or reinforced concrete is not feasible, metal lath and plaster is recommended for the construction of the pump room. The pump room or pump house should not be used for storage purposes. Vertical shaft turbine-type pumps might necessitate a removable panel in the pump house roof to permit the pump to be removed for inspection or repair. Proper clearances to equipment should be provided as recommended by the manufacturer's drawings.

A.4.13.1 A fire pump that is inoperative for any reason at any time constitutes an impairment to the fire protection system. It should be returned to service without delay.

Rain and intense heat from the sun are adverse conditions to equipment not installed in a completely protective enclosure. At a minimum, equipment installed outdoors should be shielded by a roof or deck.

A.4.13.1.1 Most fire departments have procedures requiring operation of a fire pump unit during an incident. Building designers should locate the fire pump room to be easily accessible during an incident.

A.4.13.1.1.2 The purpose for the "Not Sprinklered" column in Table 4.13.1.1.2 is to provide guidance for unsprinklered buildings. This does not permit sprinklers to be omitted from pump rooms in fully sprinklered buildings.

A.4.13.1.1.3 This section allows for the installation of special hazard fire protection systems such as local application water mist inside buildings that may or may not be otherwise protected. The concern is to assure that a fire associated with the process being protected does not cause an immediate failure of the pumping system. It is not the intent of this section to provide protection for the entire building or to protect the process area from an exposure fire involving that building section.

A.4.13.1.1.5 Equipment that increases the fire hazard (such as boilers) and is not related to fire protection systems should not be in a fire pump room.

A.4.13.7 Pump rooms and pump houses should be dry and free of condensate. To accomplish a dry environment, heat might be necessary.

A.4.14.1 The exterior of aboveground steel piping should be kept painted.

A.4.14.2 Flanges welded to pipe are preferred.

A.4.14.5 Currently, NFPA 13 requirements do not address fire pumps, controllers, driver, fuel tanks (including the trim), test header piping, relief valve piping, or exhaust mufflers.

A.4.14.6 When welding is performed on the pump suction or discharge piping with the pump in place, the welding ground should be on the same side of the pump as the welding.

A.4.15.1 The exterior of steel suction piping should be kept painted.

Buried iron or steel pipe should be lined and coated or protected against corrosion in conformance with AWWA C104, *Cement-Mortar Lining for Cast-Iron and Ductile-Iron Pipe and Fittings for Water*, or equivalent standards.

A.4.15.3.2 It is permitted that the suction pressure drop to -3 psi (-0.2 bar) for a centrifugal pump that is taking suction from a grade level storage tank where the pump suction elevation is at or below the water level in the water storage tank at the end of the required water flow duration. This negative suction pressure is to allow for the friction loss in the suction piping when the pump is operating at 150 percent capacity.

A.4.15.4 The following notes apply to Figure A.4.15.4:

- (1) A jockey pump is usually required with automatically controlled pumps.
- (2) If testing facilities are to be provided, also see Figure A.4.21.1.2(a) and Figure A.4.21.1.2(b).
- (3) Pressure-sensing lines also need to be installed in accordance with 10.5.2.1 or 12.7.2.1. See Figure A.4.31(a) and Figure A.4.31(b).

A.4.15.5 Where the suction supply is from public water mains, the gate valve should be located as far as is practical from the suction flange on the pump. Where it comes from a stored water container, the gate valve should be located at the outlet of the container. A butterfly valve on the suction side of the pump can create turbulence that adversely affects the pump performance and can increase the possibility of blockage of the pipe.

A.4.15.6 See Figure A.4.15.6. (*See Hydraulic Institute Standards for Centrifugal, Rotary and Reciprocating Pumps for additional information.*)

A.4.15.8 In the selection of screen material, consideration should be given to prevention of fouling from aquatic growth. Antifouling is best accomplished with brass or copper wire.

A.4.15.9 The term *device* as used in this subsection is intended to include, but not be limited to, devices that sense suction pressure and then restrict or stop the fire pump discharge. Due to the pressure losses and the potential for interruption of the flow to the fire protection systems, the use of backflow prevention devices is discouraged in fire pump piping. Where

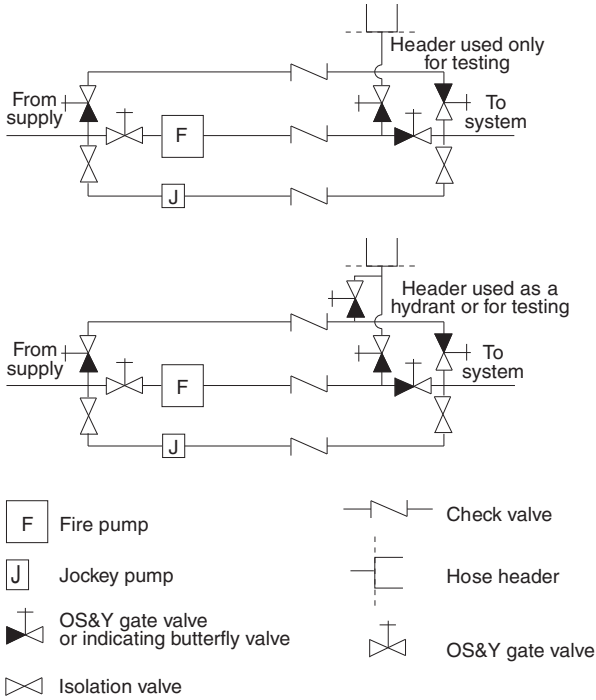


FIGURE A.4.15.4 Schematic Diagram of Suggested Arrangements for a Fire Pump with a Bypass, Taking Suction from Public Mains.

required, however, the placement of such a device on the discharge side of the pump is to ensure acceptable flow characteristics to the pump suction. It is more efficient to lose the pressure after the pump has boosted it, rather than before the pump boosts it. Where the backflow preventer is on the discharge side of the pump and a jockey pump is installed, the jockey pump discharge and sensing lines need to be located so that a cross-connection is not created through the jockey pump.

A.4.15.10 For more information, see the *Hydraulic Institute Standards for Centrifugal, Rotary and Reciprocating Pumps*. (See Figure A.4.15.10.)

A.4.16.4 Flanges welded to the pipe are preferred.

A.4.16.6 The discharge pipe size should be such that, with the pump(s) operating at 150 percent of rated capacity, the velocity in the discharge pipe does not exceed 20 ft/sec (6.1 m/sec).

A.4.16.7 Large fire protection systems sometimes experience severe water hammer caused by backflow when the automatic control shuts down the fire pump. Where conditions can be expected to cause objectionable water hammer, a listed anti-water-hammer check valve should be installed in the discharge line of the fire pump. Automatically controlled pumps in tall buildings could give trouble from water hammer as the pump is shutting down.

Where a backflow preventer is substituted for the discharge check valve, an additional backflow preventer might be necessary in the bypass piping to prevent backflow through the bypass.

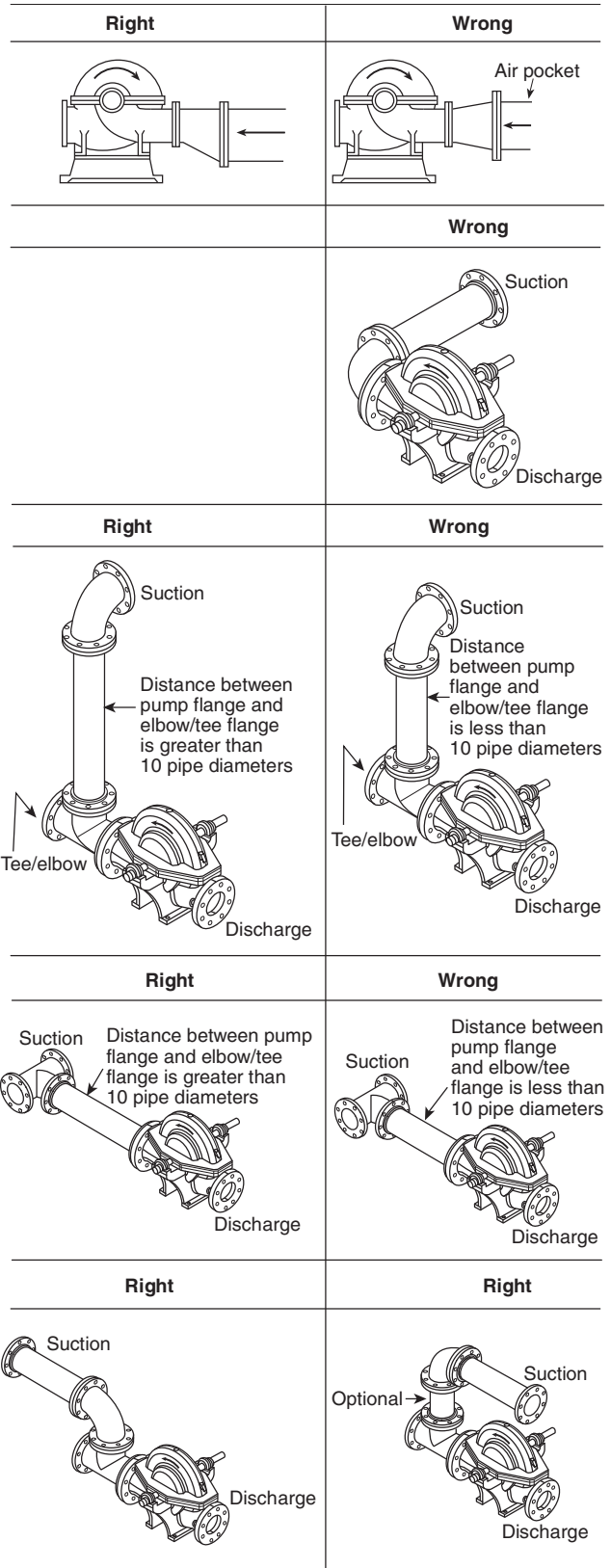
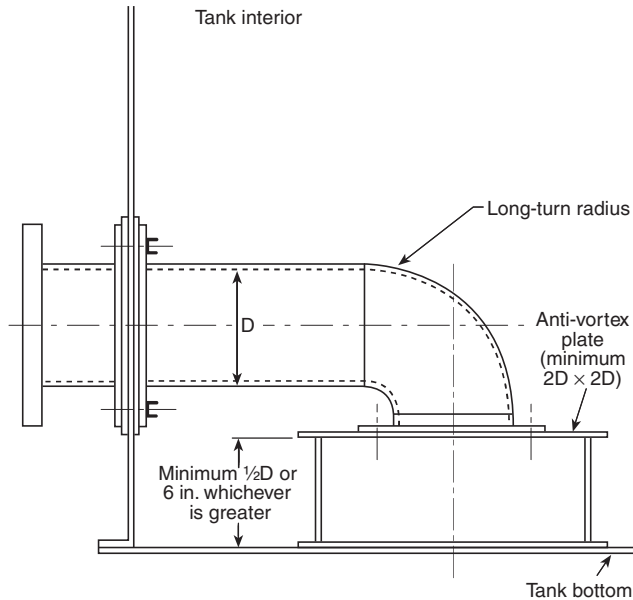


FIGURE A.4.15.6 Right and Wrong Pump Suctions.



For SI units, 1 in. = 25.4 mm.

FIGURE A.4.15.10 Anti-Vortex Plate Assembly.

Where a backflow preventer is substituted for the discharge check valve, the connection for the sensing line is permitted to be between the last check valve and the last control valve if the pressure sensing line connection can be made without altering the backflow valve or violating its listing. This method can sometimes be done by adding a connection through the test port on the backflow valve. In this situation, the discharge control valve is not necessary, because the last control valve on the backflow preventer serves this function.

Where a backflow preventer is substituted for the discharge check valve and the connection of the sensing line cannot be made within the backflow preventer, the sensing line should be connected between the backflow preventer and the pump's discharge control valve. In this situation, the backflow preventer cannot substitute for the discharge control valve because the sensing line must be able to be isolated.

A.4.16.8 See A.4.16.7 for circumstances where a backflow preventer can be substituted for the discharge control valve.

A.4.16.11 See 4.7.7.2.

A.4.17 Isolation valves and control valves are considered to be identical when used in conjunction with a backflow prevention assembly.

A.4.18 Pipe breakage caused by movement can be greatly lessened and, in many cases, prevented by increasing flexibility between major parts of the piping. One part of the piping should never be held rigidly and another free to move without provisions for relieving the strain. Flexibility can be provided by the use of flexible couplings at critical points and by allowing clearances at walls and floors. Fire pump suction and discharge pipes should be treated the same as sprinkler risers for whatever portion is within a building. (See *NFPA 13*.)

Holes through pump room fire walls should be packed with mineral wool or other suitable material held in place by pipe collars on each side of the wall. Pipes passing through founda-

tion walls or pit walls into the ground should have clearance from these walls, but holes should be watertight. Space around pipes passing through pump room walls or pump house floors can be filled with asphalt mastic. The movement being addressed in Section 4.18 is settling of the system and possible vibration during the operation of the fire pump. The section does not address anticipated earthquake forces.

A.4.19.1 The pressure is required to be evaluated at 121 percent of the net rated shutoff pressure because the pressure is proportional to the square of the speed that the pump is turned. A diesel engine governor is required to be capable of limiting the maximum engine speed to 110 percent, creating a pressure of 121 percent. Since the only time that a pressure relief valve is required by the standard to be installed is when the diesel engine is turning faster than normal, and since this is a relatively rare event, it is permitted for the discharge from the pressure relief valve to be piped back to the suction side of the pump.

A.4.19.1.1 In situations where the required system pressure is close to the pressure rating of the system components and the water supply pressure varies significantly over time, to eliminate system overpressurization, it might be necessary to use one of the following:

- (1) A tank between the water supply and the pump suction, in lieu of directly connecting to the water supply piping
- (2) A variable speed pressure limiting control device

A.4.19.2.1 See Figure A.4.19.2.1.

A.4.19.5 The relief valve cone should be piped to a point where water can be freely discharged, preferably outside the building. If the relief valve discharge pipe is connected to an underground drain, care should be taken that no steam drains enter near enough to work back through the cone and into the pump room.

A.4.19.7 Where the relief valve discharges back to the source of supply, the back pressure capabilities and limitations of the valve to be used should be determined. It might be necessary to increase the size of the relief valve and piping above the minimum to obtain adequate relief capacity due to back pressure restriction.

A.4.19.8 When discharge enters the reservoir below minimum water level, there is not likely to be an air problem. If it enters over the top of the reservoir, the air problem is reduced by extending the discharge to below the normal water level.

A.4.20.2.1 Where pumps are installed in series and are located in the same pump room, the discharge pressure from the second (or third) pump is typically at a pressure that is too high for the outlets on a fire sprinkler or standpipe system on the lower floors of the building. Rather than use this high discharge pressure with pressure reducing valves, it is a common, and accepted practice, to take the fire protection supply from the discharge of the preceding pump through a connection between that pump and subsequent pump(s) as shown in Figure A.4.20.2.1.

A.4.20.2.8.1 The following methods should be considered acceptable:

- (1) Be encased in a minimum of 2 in. (50 mm) of concrete
- (2) Be protected by a listed fire-rated assembly that has a minimum 2-hour fire rating and is dedicated to the fire pump circuit(s)

SAMPLE PRESSURE RELIEF VALVE CALCULATION DISCHARGE TO ATMOSPHERE				
For a 1,500 gpm at 100 psi Fire Pump				
1. Pressure rating of the system components		175		
2. Maximum pump over speed		110%		
3. Pump size		1,500		
4. Rated pump pressure		100		
		Normal Static Pressure (at rated speed)	Maximum Pressure Static (at Max Pump Over speed)	
5. Pump net pressure (rated pressure at 100%)		100	121.0	
6. Pump net churn pressure (0 flow)		120	145.2	
7. Pump net pressure @ 150% of rated flow		65	78.7	
8. Maximum static pressure at pump suction		50	50	
9. Available flow at pump suction		1,320	1,320	
10. Residual pressure at pump suction		45	45	
11. Maximum pump discharge pressure at churn		170	195.2	
12. Maximum allowable net discharge pressure			125	
13. Pump flow rate at maximum net pressure adjusted to normal speed [#12/(#2*#2)] = 103.3 psi			1,360.4	
14. Required flow rate through the pressure relief valve (pump flow rate at 125 psi and overspeed or [#13*#2])			1,496.5	
15. Set pressure for pressure relief valve			175	
16. Pressure relief valve size			4	
17. Pressure relief valve pipe size			4.026	
18. Nozzle (pipe) discharge coefficient			0.9	
19. C factor			120	
20. Pressure relief valve Cv ($P=[Q/Cv]^2$)			240	
21. Pressure Relief Valve Fittings	Type Fitting	Number of Fittings	Equivalent Length	Total Equivalent Length
	45°	1	4	4
	Ells	2	10	20
	LRE	0	6	0
22. Pressure relief valve pipe length			30	
23. Total equivalent length			54	
24. Friction loss per foot in pipe at flow #14			0.594	
25. Total loss in pressure relief valve piping (#23 x #24)			32.1	
26. Friction loss in pressure relief valve at estimated flow (valve wide open) ([#14/#20] ²)			38.9	
27. Pressure at pressure relief valve discharge (#1 – #25 – #26)			104.1	
28. Elevation difference (0.433* Elev difference in feet)			0	
29. Required pressure at relief piping discharge (pitot pressure at a flow of #14) ([#14/[29.83 x #18 x #17 ²]] ²)			11.8	
Conclusion: The discharge pressure at the pressure relief piping (with the pressure relief valve wide open) exceeds the pitot pressure required for the flow; therefore the pressure relief components are adequately sized.				

FIGURE A.4.19.2.1 Sample Pressure Relief Valve Calculation.

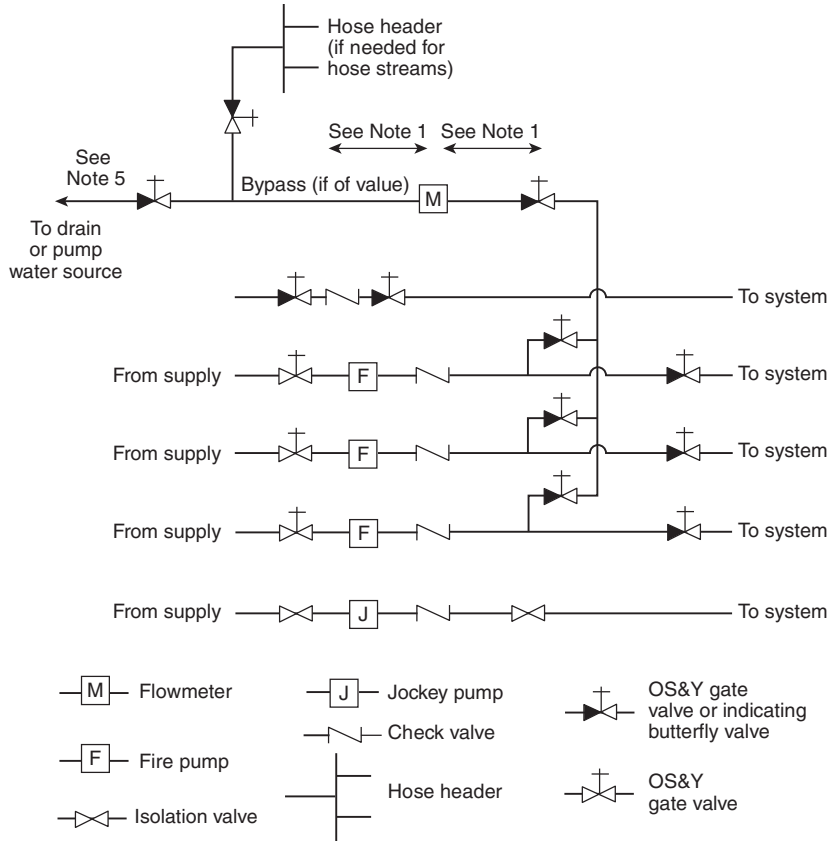


FIGURE A.4.21.1.2(a) Preferred Arrangement for Measuring Fire Pump Water Flow with Meter for Multiple Pumps and Water Supplies. Water is permitted to discharge to a drain or to the fire pump water source. (See the text for information on the notes.)

- (3) Be a listed electrical circuit protective system that has a minimum 2-hour fire rating
- (4) Be protected by a listed fire-rated assembly that has a minimum 2-hour fire rating and contains only emergency alarm and/or control wiring circuits dedicated to fire pumps, or emergency systems generators, or legally required generators, and no power wiring circuits

A.4.21.1.1 The two objectives of running a pump test are to make sure that the pump itself is still functioning properly and to make sure that the water supply can still deliver the correct amount of water to the pump at the correct pressure. Some arrangements of test equipment do not permit the water supply to be tested. Every fire pump installation needs to have at least one arrangement of test equipment where the water supply can be tested. Inspection, testing, and maintenance standards (NFPA 25) require the pump test to be run at least once every 3 years using a method that tests the water supply's ability to provide water to the pump.

A.4.21.1.2 Outlets can be provided through the use of standard test headers, yard hydrants, wall hydrants, or standpipe hose valves.

The following notes apply to Figure A.4.21.1.2(a) and Figure A.4.21.1.2(b):

- (1) The distance from the flowmeter to either isolation valve should be as recommended by the meter manufacturer.
- (2) For horizontal split-case fire pumps, there should be a distance of not less than 10 diameters of suction pipe for side connection (not recommended) to the fire pump suction flange. (See 4.14.6.3.1.)
- (3) Automatic air release should be provided if piping forms an inverted "U," trapping air.
- (4) The fire protection system should have outlets available to test the fire pump and suction supply piping. (See A.4.21.3.1.)
- (5) The closed loop meter arrangement will test only net pump performance. It does not test the condition of the suction supply, valves, piping, and so forth.
- (6) Return piping should be arranged so that no air can be trapped that would eventually end up in the eye of the pump impeller.
- (7) Turbulence in the water entering the pump should be avoided to eliminate cavitation, which would reduce pump discharge and damage the pump impeller. For this reason, side connection is not recommended.
- (8) Prolonged recirculation can cause damaging heat buildup, unless some water is wasted.
- (9) The flowmeter should be installed according to manufacturer's instructions.
- (10) Pressure sensing lines also need to be installed in accordance with 10.5.2.1. [See Figure A.4.31(a) and Figure A.4.31(b).]

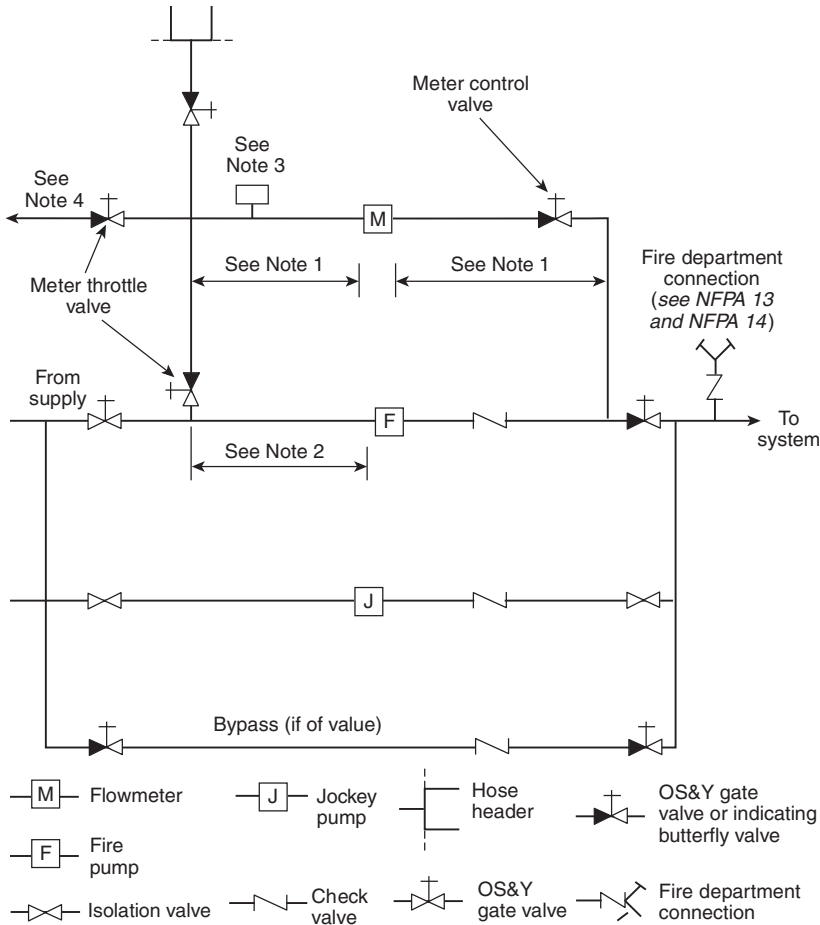


FIGURE A.4.21.1.2(b) Typical Arrangement for Measuring Fire Pump Water Flow with Meter. Discharge from the flowmeter is recirculated to the fire pump suction line. (See the text for information on the notes.)

A.4.21.1.4 The hose valves of the fire pump test header should be located on the building exterior. This is because the test discharge needs to be directed to a safe outdoor location, and to protect the fire pumps, controllers, and so forth, from accidental water spray. In instances where damage from theft or vandalism is a concern, the test header hose valves can be located within the building but outside of the fire pump room if, in the judgment of the AHJ, the test flow can be safely directed outside the building without undue risk of water spray to the fire pump equipment.

A.4.21.2.1 Metering devices should discharge to drain.

In the case of a limited water supply, the discharge should be back to the water source (e.g., suction tank, small pond). If this discharge enters the source below minimum water level, it is not likely to create an air problem for the pump suction. If it enters over the top of the source, the air problem is reduced by extending the discharge to below the normal water level.

A.4.21.2.10 The testing arrangement should be designed to minimize the length of fire hose needed to discharge water safely [approximately 100 ft (30 m)]. Where a flow test meter is installed, an alternate means of testing, such as hydrants, hose valves, test header(s), and so forth is needed as an alternate

means of testing the performance of the fire pump, and to verify the accuracy of the metering device.

A.4.21.3.1 The hose valves should be attached to a header or manifold and connected by suitable piping to the pump discharge piping. The connection point should be between the discharge check valve and the discharge gate valve. Hose valves should be located to avoid any possible water damage to the pump driver or controller. If there are other adequate pump testing facilities, the hose valve header can be omitted when its main function is to provide a method of pump and suction supply testing. Where the hose header also serves as the equivalent of a yard hydrant, this omission should not reduce the number of hose valves to less than two.

A.4.21.3.1.3(1) Outlets are typically provided through a standard test header. The test header is usually connected to the pump system between the discharge check valve and the discharge control valve for the pump so that the fire protection system can be isolated from the pump during testing if desired. However, the objective of testing the pump can be achieved with other arrangements as well.

A.4.21.3.4(2) See Figure A.4.21.3.4(2).

SAMPLE PUMP TEST HEADER SIZE CALCULATION				
Pump size			1500	
Number of test hose streams			6	
Size of hose			2½	
Feet of hose per test hose			50	
Nozzle size			1.75	
Nozzle coefficient			0.97	
Pump test header pipe size			8.071	
C factor			120	
Pump Test Header Pipe Fittings	Type Fitting	Number	Equiv. Length	Total Equiv. Length
	45°	1	9	9
	E	1	18	18
	LRE	0	13	0
	T	1	35	35
	BV	0	12	0
	GV	1	4	4
SW	1	45	45	
Pump test header pipe length				30
Total equivalent length				141
Maximum test flow				2250
Friction loss per ft in pipe				0.0392
Total loss in pump test header pipe				5.5
Flow in each hose				375
Friction loss in 100 ft of hose				28.125
Total friction loss in hose				14.1
Equivalent pipe length 2½ in. valve				7
Friction loss in 2½ in. pipe				0.4561
Friction loss through 2½ in. valve				3.2
Required pitot pressure				18
Elevation difference				0
Required pump discharge				40.8

FIGURE A.4.21.3.4(2) Sample Pump Test Header Calculation.

A.4.24 Pumps are designated as having right-hand, or clockwise (CW), rotation or left-hand, or counterclockwise (CCW), rotation. Diesel engines are commonly stocked and supplied with clockwise rotation.

Pump shaft rotation can be determined as follows:

- (1) *Horizontal Pump Shaft Rotation.* The rotation of a horizontal pump can be determined by standing at the driver end and facing the pump. [See Figure A.4.24(a).] If the top of the shaft revolves from the left to the right, the rotation is right-handed, or clockwise (CW). If the top of the shaft revolves from right to left, the rotation is left-handed, or counterclockwise (CCW).
- (2) *Vertical Pump Shaft Rotation.* The rotation of a vertical pump can be determined by looking down at the top of the pump. If the point of the shaft directly opposite revolves from left to right, the rotation is right-handed, or

clockwise (CW). [See Figure A.4.24(b).] If the point of the shaft directly opposite revolves from right to left, the rotation is left-handed, or counterclockwise (CCW).

A.4.25 In addition to those conditions that require signals for pump controllers and engines, there are other conditions for which such signals might be recommended, depending upon local conditions. Some of these conditions are as follows:

- (1) Low pump room temperature
- (2) Relief valve discharge
- (3) Flowmeter left on, bypassing the pump
- (4) Water level in suction supply below normal
- (5) Water level in suction supply near depletion
- (6) Steam pressure below normal

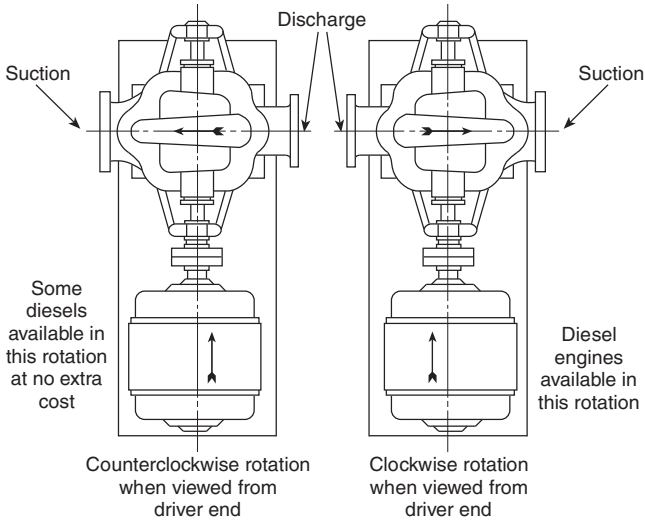


FIGURE A.4.24(a) Horizontal Pump Shaft Rotation.

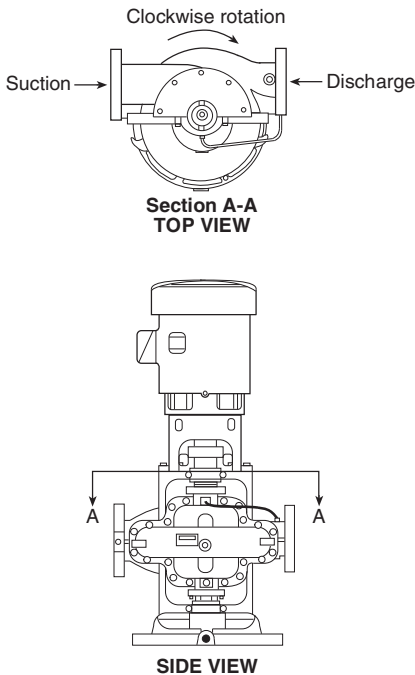


FIGURE A.4.24(b) Vertical Pump Shaft Rotation.

Such additional signals can be incorporated into the trouble signals already provided on the controller, or they can be independent.

A.4.26 Pressure maintenance (jockey or make-up) pumps should be used where it is desirable to maintain a uniform or relatively high pressure on the fire protection system.

A domestic water pump in a dual-purpose water supply system can function as a means of maintaining pressure.

A.4.26.2.1 The sizing of the pressure maintenance pump requires a thorough analysis of the type and size of system the pressure maintenance pump will serve. Pressure maintenance

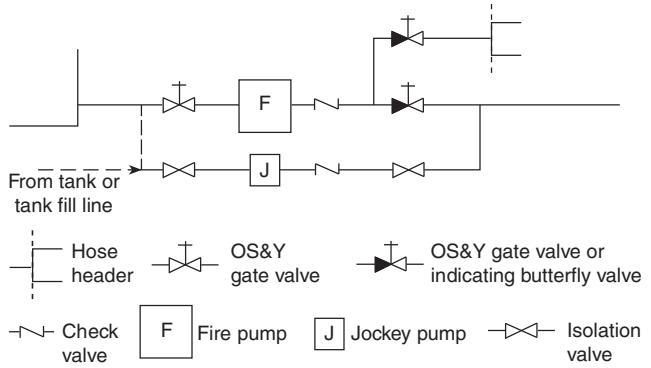


FIGURE A.4.26.5 Jockey Pump Installation with Fire Pump.

pumps on fire protection systems that serve large underground mains need to be larger than pressure maintenance pumps that serve small aboveground fire protection systems. Underground mains are permitted by NFPA 24 to have some leakage (see 10.10.2.2.6 of NFPA 24), while aboveground piping systems are required to be tight when new and should not have significant leakage.

For situations where the pressure maintenance pump serves only aboveground piping for fire sprinkler and standpipe systems, the pressure maintenance pump should be sized to provide a flow less than a single fire sprinkler. The main fire pump should start and run (providing a pump running signal) for any waterflow situation where a sprinkler has opened, which will not happen if the pressure maintenance pump is too large.

One guideline that has been successfully used to size pressure maintenance pumps is to select a pump that will make up the allowable leakage rate in 10 minutes or 1 gpm (3.8 L/min), whichever is larger.

A.4.26.5 A centrifugal-type pressure maintenance pump is preferable.

The following notes apply to a centrifugal-type pressure maintenance pump:

- (1) A jockey pump is usually required with automatically controlled pumps.
- (2) Jockey pump suction can come from the tank filling supply line. This situation would allow high pressure to be maintained on the fire protection system even when the supply tank is empty for repairs.
- (3) Pressure sensing lines also need to be installed in accordance with 10.5.2.1. [See and Figure A.4.31(a) and Figure A.4.31(b).]

A.4.26.6.5 See Figure A.4.26.6.5.

A.4.29.2 NFPA 13 contains specific requirements for seismic design of fire protection systems. It is a simplified approach that was developed to coincide with SEI/ASCE 7, *Minimum Design Loads for Buildings and Other Structures*, and current building codes.

A.4.29.3.2 The top bracing for these pumps will connect to the pump above its center of gravity. The opposite end of the bracing can connect to the floor or the mounting structure for the pump.

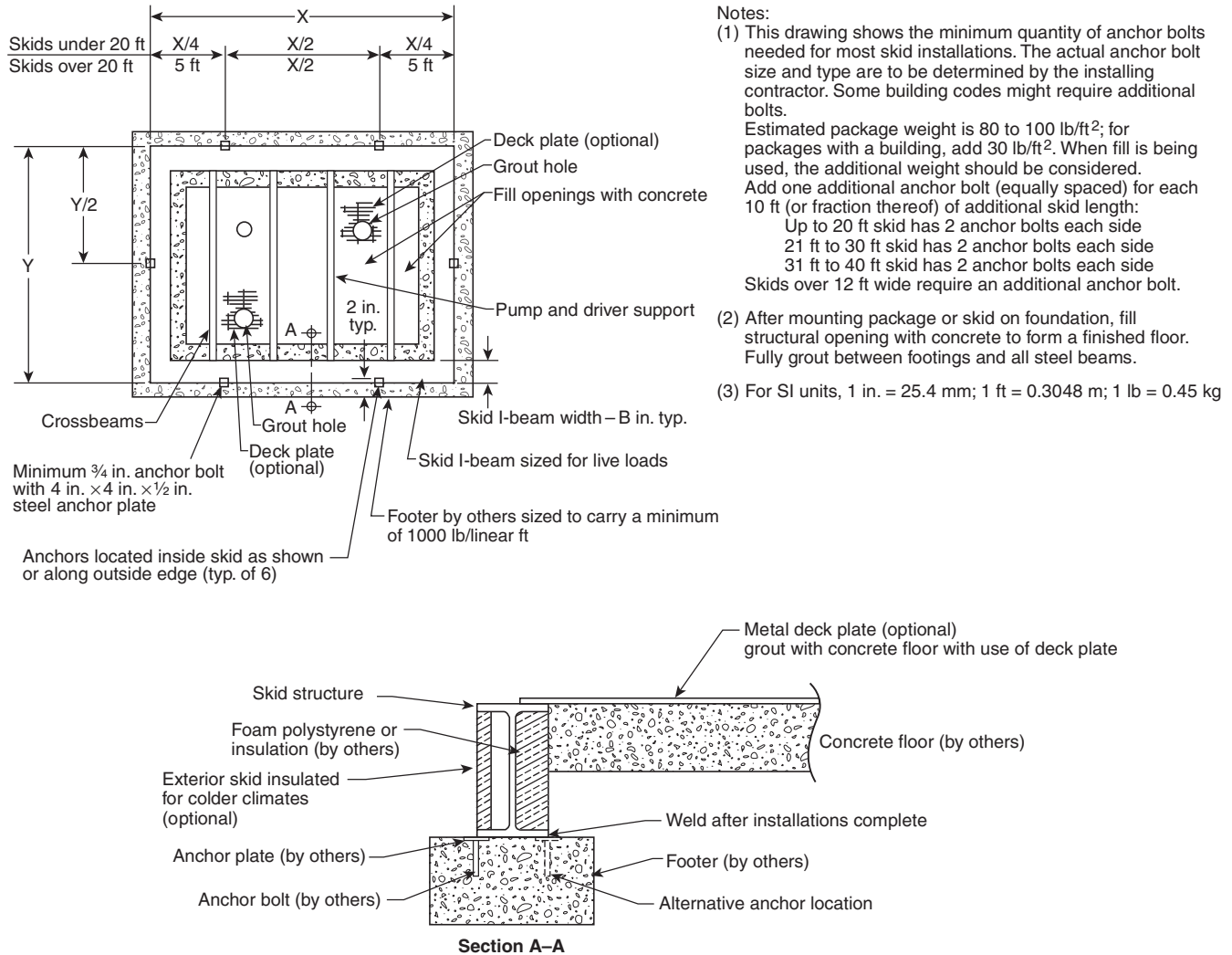


FIGURE A.4.30.9 Typical Foundation Detail for Packaged Fire Pump Assembly.

A.4.29.3.3 The exhaust piping from diesel fire pumps can be secured by following the criteria in NFPA 13.

A.4.29.3.4.1 Hangers that offer lateral restraint on these smaller diameter trim lines should be sufficient.

A.4.30.9 Figure A.4.30.9 illustrates a typical foundation detail for a packaged fire pump assembly.

A.4.31 See Figure A.4.31 (a) and Figure A.4.31 (b).

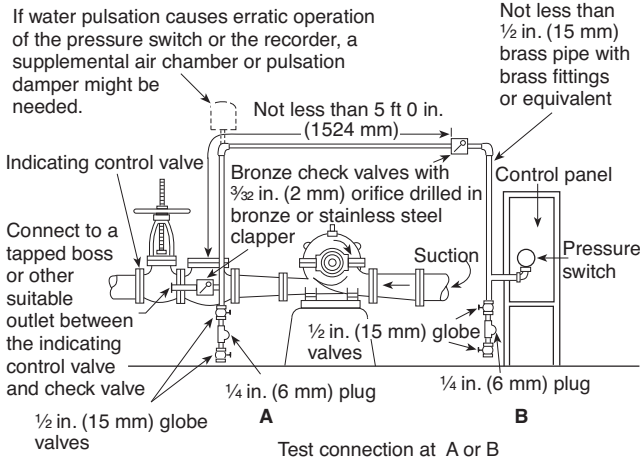
A.4.31.3 The use of soft copper tubing is not permitted for a pressure sensing line because it is easily damaged.

Differentiation must be made between nominal pipe sizes and nominal tube sizes. The nominal pipe sizes are based on the approximate inside diameters of the pipe, whereas tube sizes are based on outside diameters. For example, nominal 1/2 in. (15 mm) copper Type K, L, or M, or Series 300 stainless steel pipe would be equivalent to nominal 5/8 in. (16 mm) or 0.625 in. (15 mm) O.D. tube.

A.5.2 The location of a pump room in a high-rise building requires a great deal of consideration. Personnel are required

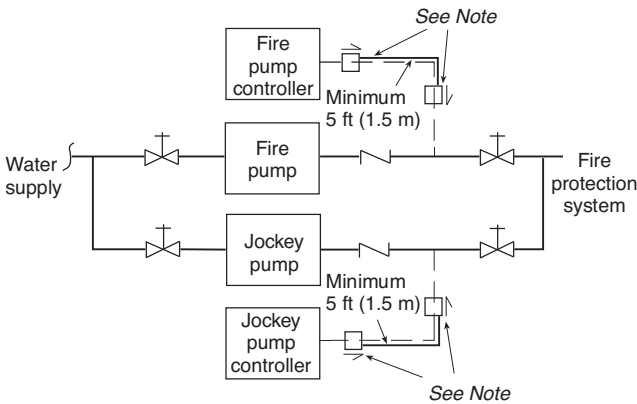
to be sent to the pump room to monitor the operation of the pump during fire-fighting activities in the building. The best way to protect these people who are being sent to the pump room is to have the pump room directly accessible from the outside, but that is not always possible in high-rise buildings. In many cases, pump rooms in high-rise buildings will need to be located many floors above grade or at a location below grade, or both.

For the circumstance where the pump room is not at grade level, this standard requires protected passageways of a fire resistance rating that meets the minimum requirements for exit stairwells at the level of the pump room from the exit stairwell to the pump room. Many codes do not allow the pump room to open directly onto an exit stairwell, but the distance between an exit stairwell and the pump room on upper or lower floors needs to be as short as possible with as few openings to other building areas as possible to afford as much protection as possible to the people going to the pump room and staying in the pump room during a fire in the building.



Notes:
 (1) Solenoid drain valve used for engine-driven fire pumps can be at A, B, or inside controller enclosure.
 (2) If water is clean, ground-face unions with noncorrosive diaphragms drilled for 3/32 in. orifices can be used in place of the check valves.

FIGURE A.4.31(a) Piping Connection for Each Automatic Pressure Switch (for Electric-Driven and Diesel Fire Pump and Jockey Pumps).



Note: Check valves or ground-face unions complying with 4.31.4.

FIGURE A.4.31(b) Piping Connection for Pressure Sensing Line (Diesel Fire Pump).

In addition to the need for access, pump rooms need to be located such that discharge from pump equipment including packing discharge and relief valves is adequately handled.

A.5.6 When trying to determine the pumping capability of the fire department, the concern is for the height of the building. There are some buildings that are so tall that it is impossible for the fire department apparatus to pump into the fire department connection at the street and overcome the elevation loss and friction loss in order to achieve 100 psi at the hose outlets up in the building. In these cases, the fire protection system in the building needs to have additional protection, including sufficient water supplies within the building to fight a fire and sufficient redundancy to be safe. Since fire departments all purchase different apparatus with different pumping capabilities, this standard has chosen to address this concern with

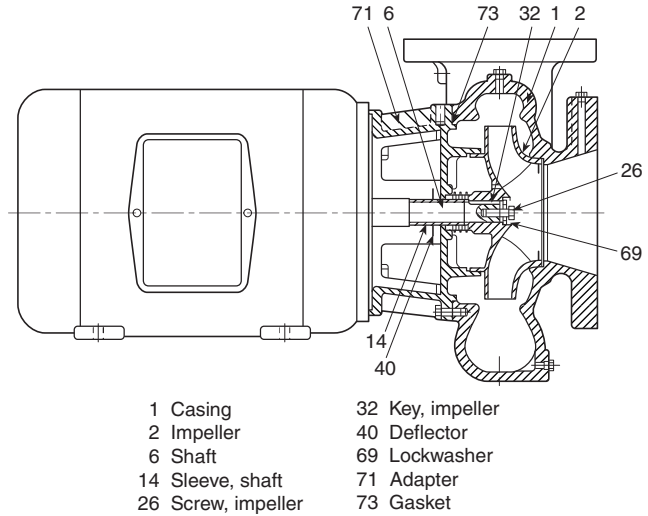


FIGURE A.6.1.1(a) Overhung Impeller — Close Coupled Single Stage — End Suction.

performance-based criteria rather than a specified building height. Most urban fire departments have the capability of getting sufficient water at sufficient pressure up to the top of 200 ft (61 m) tall buildings. Some have the ability to get water as high as 350 ft (107 m). The design professional will need to check with the local fire department to determine its capability.

A.5.6.1.5.1 The different connections should be arranged so that the tank refill rate required in 5.6.1.4 can be maintained even with the failure of any single valve, pipe, or pump.

A.6.1.1 See Figure A.6.1.1(a) through Figure A.6.1.1(h).

A.6.1.2 The centrifugal pump is particularly suited to boost the pressure from a public or private supply or to pump from a storage tank where there is a positive static head.

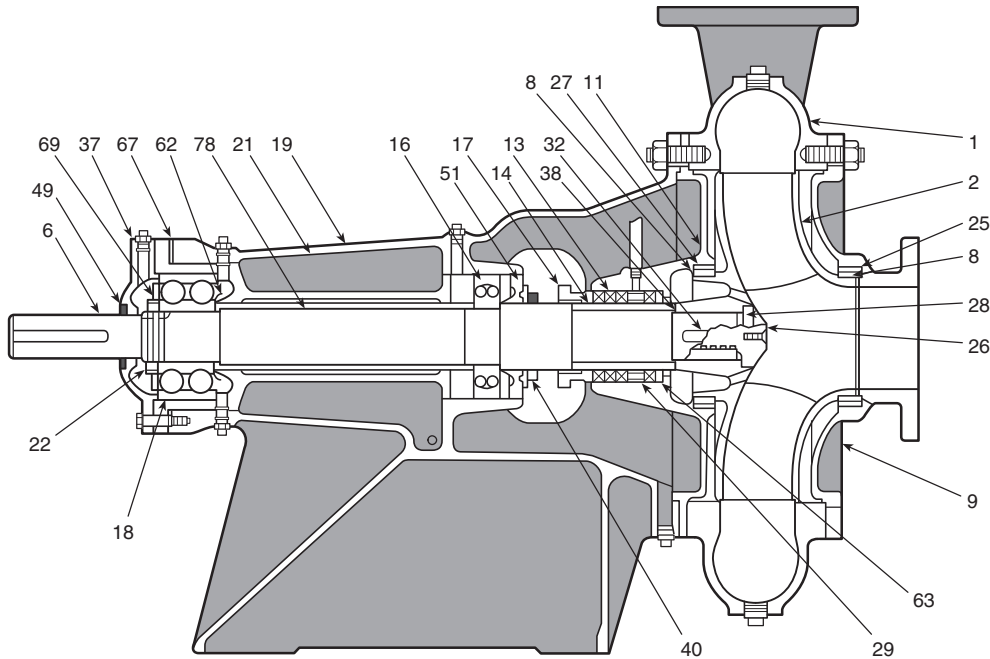
A.6.2 Listed pumps can have different head capacity curve shapes for a given rating. Figure A.6.2 illustrates the extremes of probable curve shapes. Shutoff head will range from a minimum of 101 percent to a maximum of 140 percent of rated head. At 150 percent of rated capacity, head will range from a minimum of 65 percent to a maximum of just below rated head. Pump manufacturers can supply expected curves for their listed pumps.

A.6.3.1 See Figure A.6.3.1(a) and Figure A.6.3.1(b).

A.6.4.1 Flexible couplings are used to compensate for temperature changes and to permit end movement of the connected shafts without interfering with each other.

A.6.4.4 A substantial foundation is important in maintaining alignment. The foundation preferably should be made of reinforced concrete.

A.6.5 A pump and driver shipped from the factory with both machines mounted on a common base plate are accurately aligned before shipment. All base plates are flexible to some extent and, therefore, should not be relied upon to maintain the factory alignment. Realignment is necessary after the complete unit has been leveled on the foundation and again after the grout has set and foundation bolts have been tightened. The alignment should be checked after the unit is piped



1 Casing	16 Bearing, inboard	27 Ring, stuffing-box cover	49 Seal, bearing cover, outboard
2 Impeller	17 Gland	28 Gasket	51 Retainer, grease
6 Shaft, pump	18 Bearing, outboard	29 Ring, lantern	62 Thrower (oil or grease)
8 Ring, impeller	19 Frame	32 Key, impeller	63 Busing, stuffing-box
9 Cover, suction	21 Liner, frame	37 Cover, bearing, outboard	67 Shim, frame liner
11 Cover, stuffing-box	22 Locknut, bearing	38 Gasket, shaft sleeve	69 Lockwasher
13 Packing	25 Ring, suction cover	40 Deflector	78 Spacer, bearing
14 Sleeve, shaft	26 Screw, impeller		

FIGURE A.6.1.1(b) Overhung Impeller — Separately Coupled Single Stage — Frame Mounted.

and rechecked periodically. To facilitate accurate field alignment, most manufacturers either do not dowel the pumps or drivers on the base plates before shipment or, at most, dowel the pump only.

After the pump and driver unit has been placed on the foundation, the coupling halves should be disconnected. The coupling should not be reconnected until the alignment operations have been completed.

The purpose of the flexible coupling is to compensate for temperature changes and to permit end movement of the shafts without interference with each other while transmitting power from the driver to the pump.

The two forms of misalignment between the pump shaft and the driver shaft are as follows:

- (1) *Angular misalignment* — shafts with axes concentric but not parallel
- (2) *Parallel misalignment* — shafts with axes parallel but not concentric

The faces of the coupling halves should be spaced within the manufacturer's recommendations and far enough apart so that they cannot strike each other when the driver rotor is moved hard over toward the pump. Due allowance should be made for wear of the thrust bearings. The necessary tools for an approxi-

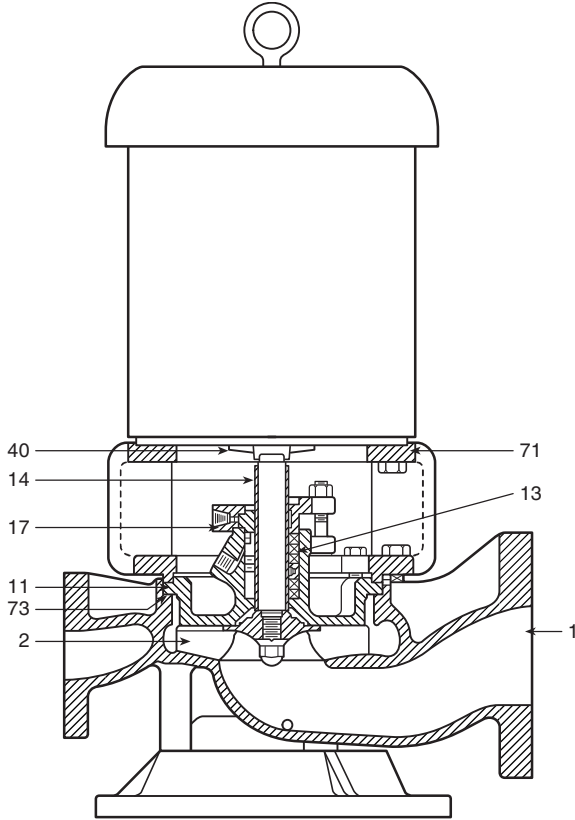
mate check of the alignment of a flexible coupling are a straight edge and a taper gauge or a set of feeler gauges.

A check for angular alignment is made by inserting the taper gauge or feelers at four points between the coupling faces and comparing the distance between the faces at four points spaced at 90-degree intervals around the coupling. [See Figure A.6.5(a).] The unit will be in angular alignment when the measurements show that the coupling faces are the same distance apart at all points.

A check for parallel alignment is made by placing a straight edge across both coupling rims at the top, bottom, and both sides. [See Figure A.6.5(b).] The unit will be in parallel alignment when the straight edge rests evenly on the coupling rim at all positions.

Allowance might be necessary for temperature changes and for coupling halves that are not of the same outside diameter. Care should be taken to have the straight edge parallel to the axes of the shafts.

Angular and parallel misalignment are corrected by means of shims under the motor mounting feet. After each change, it is necessary to recheck the alignment of the coupling halves. Adjustment in one direction can disturb adjustments already made in another direction. It should not be necessary to adjust the shims under the pump.



- | | | |
|------------------------|-------------------|-------------------|
| 1 Casing | 13 Packing | 40 Deflector |
| 2 Impeller | 14 Sleeve, shaft | 71 Adapter |
| 11 Cover, seal chamber | 17 Gland, packing | 73 Gasket, casing |

FIGURE A.6.1.1(c) Overhung Impeller — Close Coupled Single Stage — In-Line (Showing Seal and Packaging).

The permissible amount of misalignment will vary with the type of pump, driver, and coupling manufacturer, model, and size.

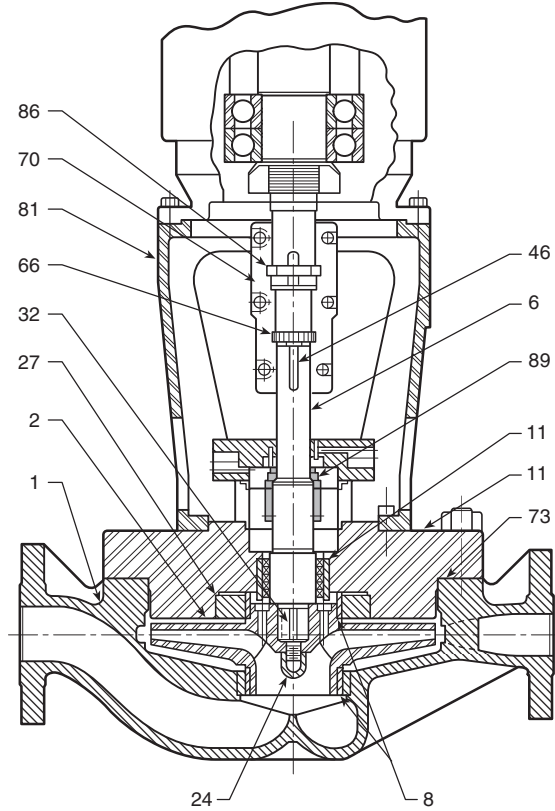
The best method for putting the coupling halves in final accurate alignment is by the use of a dial indicator.

When the alignment is correct, the foundation bolts should be tightened evenly but not too firmly. The unit can then be grouted to the foundation. The base plate should be completely filled with grout, and it is desirable to grout the leveling pieces, shims, or wedges in place. Foundation bolts should not be fully tightened until the grout has hardened, usually about 48 hours after pouring.

After the grout has set and the foundation bolts have been properly tightened, the unit should be checked for parallel and angular alignment, and, if necessary, corrective measures taken. After the piping of the unit has been connected, the alignment should be checked again.

The direction of driver rotation should be checked to make certain that it matches that of the pump. The corresponding direction of rotation of the pump is indicated by a direction arrow on the pump casing.

The coupling halves can then be reconnected. With the pump properly primed, the unit should be operated under



- | | |
|-----------------------------|-------------------------|
| 1 Casing | 46 Key, coupling |
| 2 Impeller | 66 Nut, shaft adjusting |
| 6 Shaft, pump | 70 Coupling, shaft |
| 8 Ring, impeller | 73 Gasket |
| 11 Cover, seal chamber | 81 Pedestal, driver |
| 24 Nut, impeller | 86 Ring, thrust, split |
| 27 Ring, stuffing-box cover | 89 Seal |
| 32 Key, impeller | |

FIGURE A.6.1.1(d) Overhung Impeller — Separately Coupled Single Stage — In-Line — Rigid Coupling.

normal operating conditions until temperatures have stabilized. It then should be shut down and immediately checked again for alignment of the coupling. All alignment checks should be made with the coupling halves disconnected and again after they are reconnected.

After the unit has been in operation for about 10 hours, the coupling halves should be given a final check for misalignment caused by pipe or temperature strains. This check should be repeated after the unit has been in operation for about 3 months. If the alignment is correct, both pump and driver should be dowelled to the base plate. Dowel location is very important, and the manufacturer's instructions should be followed, especially if the unit is subject to temperature changes.

The unit should be checked periodically for alignment. If the unit does not stay in line after being properly installed, the following are possible causes:

- (1) Settling, seasoning, or springing of the foundation and pipe strains distorting or shifting the machine
- (2) Wearing of the bearings

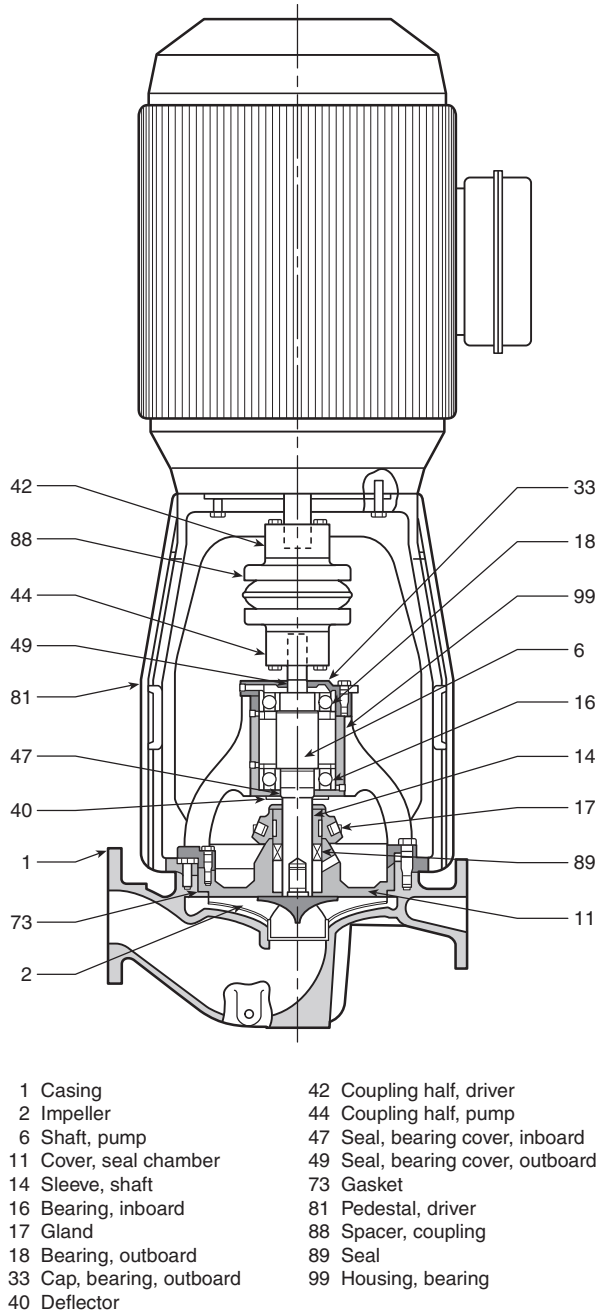


FIGURE A.6.1.1(e) Overhung Impeller — Separately Coupled Single Stage — In-Line — Flexible Coupling.

- (3) Springing of the base plate by heat from an adjacent steam pipe or from a steam turbine
- (4) Shifting of the building structure due to variable loading or other causes
- (5) If the unit and foundation are new, need for the alignment to be slightly readjusted from time to time

A.6.5.1.2 The listing information contains critical requirements for proper use and installation, including whether the coupling or connecting shaft is listed for use with either an

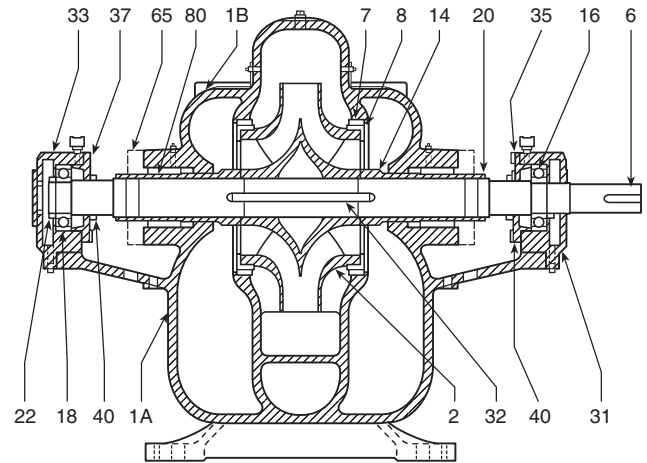


FIGURE A.6.1.1(f) Impeller Between Bearings — Separately Coupled — Single Stage — Axial (Horizontal) Split Case.

electric motor or diesel engine drivers, or listed for both an electric motor and diesel engine drivers.

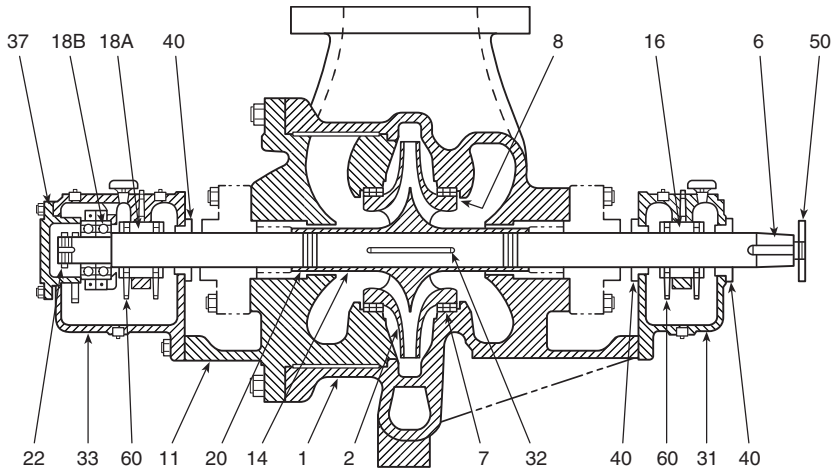
A.7.1 Satisfactory operation of vertical turbine-type pumps is dependent to a large extent upon careful and correct installation of the unit; therefore, it is recommended that this work be done under the direction of a representative of the pump manufacturer.

A.7.1.1 The vertical shaft turbine-type pump is particularly suitable for fire pump service where the water source is located below ground and where it would be difficult to install any other type of pump below the minimum water level. It was originally designed for installation in drilled wells but is permitted to be used to lift water from lakes, streams, open swamps, and other subsurface sources. Both oil-lubricated enclosed-line-shaft and water-lubricated open-line-shaft pumps are used. (See *Figure A.7.1.1.*) Some health departments object to the use of oil-lubricated pumps; such authorities should be consulted before proceeding with oil-lubricated design.

A.7.2.1.1 Stored water supplies from reservoirs or tanks supplying wet pits are preferable. Lakes, streams, and groundwater supplies are acceptable where investigation shows that they can be expected to provide a suitable and reliable supply.

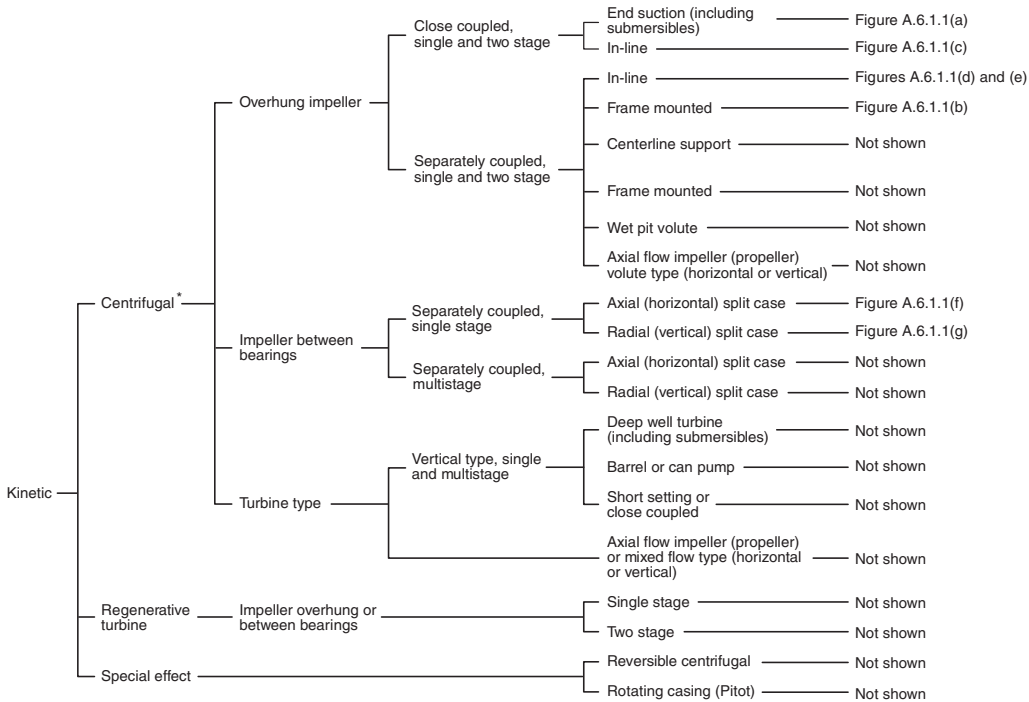
A.7.2.1.2 The authority having jurisdiction can require an aquifer performance analysis. The history of the water table should be carefully investigated. The number of wells already in use in the area and the probable number that can be in use should be considered in relation to the total amount of water available for fire protection purposes.

A.7.2.2.1 See *Figure A.7.2.2.1.*



- | | | |
|------------------------|-------------------------------|-------------------------------|
| 1 Casing | 16 Bearing, inboard, sleeve | 33 Housing, bearing, outboard |
| 2 Impeller | 18A Bearing, outboard, sleeve | 37 Cover, bearing, outboard |
| 6 Shaft | 18B Bearing, outboard, ball | 40 Deflector |
| 7 Ring, casing | 20 Nut, shaft sleeve | 50 Locknut, coupling |
| 8 Ring, impeller | 22 Locknut, bearing | 60 Ring, oil |
| 11 Cover, stuffing-box | 31 Housing, bearing, inboard | |
| 14 Sleeve, shaft | 32 Key, impeller | |

FIGURE A.6.1.1(g) Impeller Between Bearings — Separately Coupled — Single Stage — Radial (Vertical) Split Case.



Note: Kinetic pumps can be classified by such methods as impeller or casing configuration, end application of the pump, specific speed, or mechanical configuration. The method used in this chart is based primarily on mechanical configuration.

*Includes radial, mixed flow, and axial flow designs.

FIGURE A.6.1.1(h) Types of Stationary Pumps.

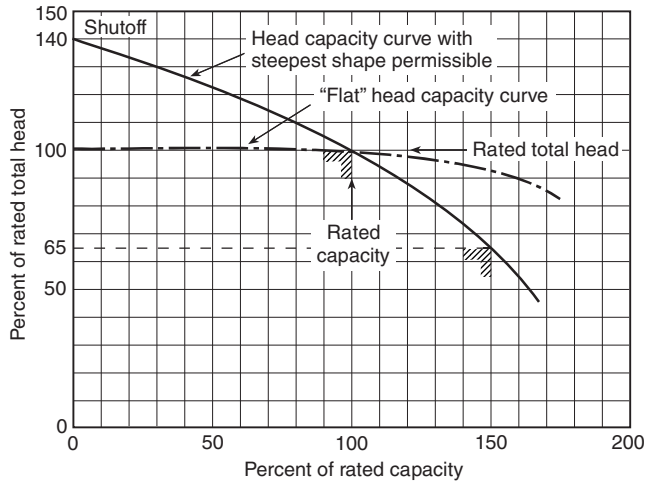
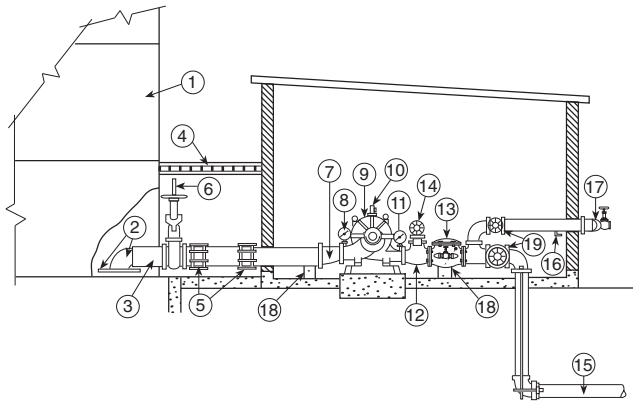


FIGURE A.6.2 Pump Characteristics Curves.



- | | |
|--|--|
| 1 Aboveground suction tank | 9 Horizontal split-case fire pump |
| 2 Entrance elbow and square steel vortex plate with dimensions at least twice the diameter of the suction pipe. Distance above the bottom of tank is one-half the diameter of the suction pipe with minimum of 6 in. (152 mm). | 10 Automatic air release |
| 3 Suction pipe | 11 Discharge gauge |
| 4 Frostproof casing | 12 Reducing discharge tee |
| 5 Flexible couplings for strain relief | 13 Discharge check valve |
| 6 OS&Y gate valve (see 4.14.5 and A.4.14.5) | 14 Relief valve (if required) |
| 7 Eccentric reducer | 15 Supply pipe for fire protection system |
| 8 Suction gauge | 16 Drain valve or ball drip |
| | 17 Hose valve manifold with hose valves |
| | 18 Pipe supports |
| | 19 Indicating gate or indicating butterfly valve |

FIGURE A.6.3.1(a) Horizontal Split-Case Fire Pump Installation with Water Supply Under a Positive Head.

A.7.2.2.1.3 The acceptability of a well is determined by a 24-hour test that flows the well at 150 percent of the pump flow rating. This test should be reviewed by qualified personnel (usually a well drilling contractor or a person having experience in hydrology and geology). The adequacy and reliability of the water supply are critical to the successful operation of the fire pump and fire protection system.

A 10 ft (3.05 m) submergence is considered the minimum acceptable level to provide proper pump operation in well applications. The increase of 1 ft (0.30 m) for each 1000 ft (305 m) increase in elevation is due to loss of atmospheric pressure that accompanies elevation. Therefore, the net positive suction head (NPSH) available must be considered in selection of the pump. For example, to obtain the equivalent of 10 ft (3.05 m) of NPSH available at an elevation of 1000 ft (305 m), approximately 11 ft (3.35 m) of water is required.

Several other design parameters need to be considered in the selection of a vertical turbine pump, including the following:

- (1) *Lineshaft lubrication when the pump is installed in a well.* Bearings are required to have lubrication and are installed along the lineshaft to maintain alignment. Lubrication fluid is usually provided by a fluid reservoir located aboveground, and the fluid is supplied to each bearing by a copper tube or small pipe. This lubrication fluid should use a vegetable-based material that is approved by the federal Clean Water Act to minimize water contamination.
- (2) *Determination of the water level in the well.* When a vertical turbine pump is tested, the water level in the well needs to be known so that the suction pressure can be determined. Often the air line for determining the depth is omitted, so testing of the pump for performance is not possible. The arrangement of this device is shown in Figure A.7.3.5.3, and its installation should be included in the system design.

A.7.2.2.2 The velocities in the approach channel or intake pipe should not exceed approximately 2 ft/sec (0.7 m/sec), and the velocity in the wet pit should not exceed approximately 1 ft/sec (0.3 m/sec). (See Figure A.7.2.2.2.)

The ideal approach is a straight channel coming directly to the pump. Turns and obstructions are detrimental because they can cause eddy currents and tend to initiate deep-cored vortices. The amount of submergence for successful operation will depend greatly on the approaches of the intake and the size of the pump.

The *Hydraulic Institute Standards for Centrifugal, Rotary and Reciprocating Pumps* recommends sump dimensions for flows 3000 gpm (11,355 L/min) and larger. The design of sumps for pumps with discharge capacities less than 3000 gpm (11,355 L/min) should be guided by the same general principles shown in the *Hydraulic Institute Standards for Centrifugal, Rotary and Reciprocating Pumps*.

A.7.2.5 Where wells take their supply from consolidated formations such as rock, the specifications for the well should be decided upon by the authority having jurisdiction after consultation with a recognized groundwater consultant in the area.

A.7.2.7 Before the permanent pump is ordered, the water from the well should be analyzed for corrosiveness, including such items as pH, salts such as chlorides, and harmful gases such as carbon dioxide (CO₂) or hydrogen sulfide (H₂S). If the water is corrosive, the pumps should be constructed of a suitable corrosion-resistant material or covered with special protective coatings in accordance with the manufacturers' recommendations.

A.7.3.1 See Figure A.7.3.1.

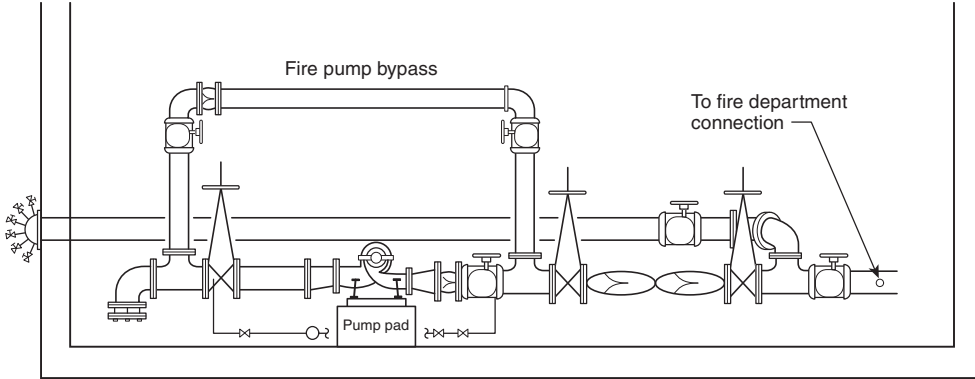


FIGURE A.6.3.1(b) Backflow Preventer Installation.

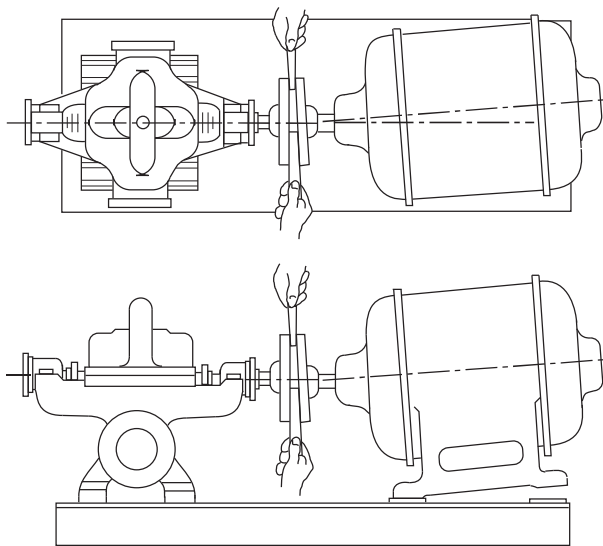


FIGURE A.6.5(a) Checking Angular Alignment. (Courtesy of Hydraulic Institute, www.pumps.org.)

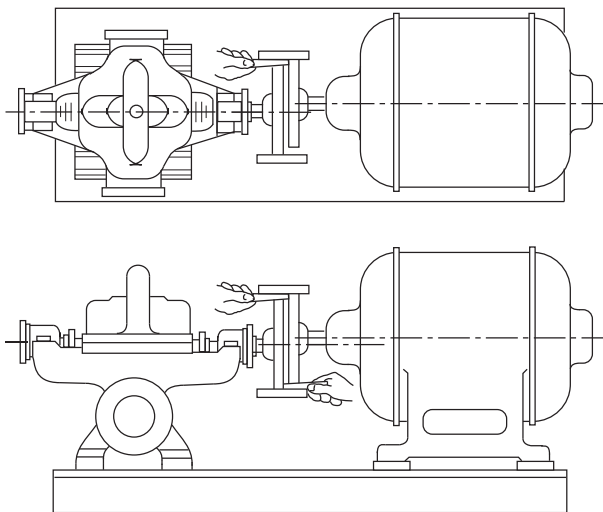
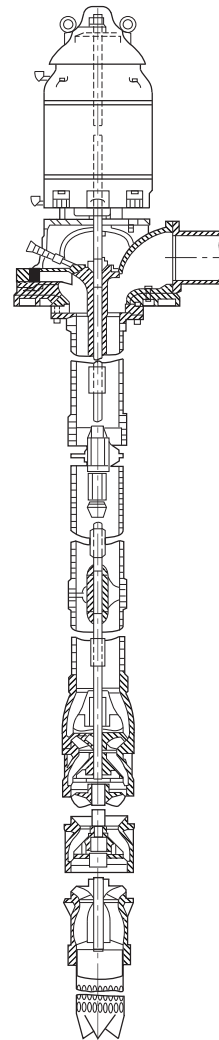


FIGURE A.6.5(b) Checking Parallel Alignment. (Courtesy of Hydraulic Institute, www.pumps.org.)

Water-lubricated, open lineshaft pump, surface discharge, threaded column and bowls



Oil-lubricated, enclosed lineshaft pump, underground discharge, flanged column and bowls

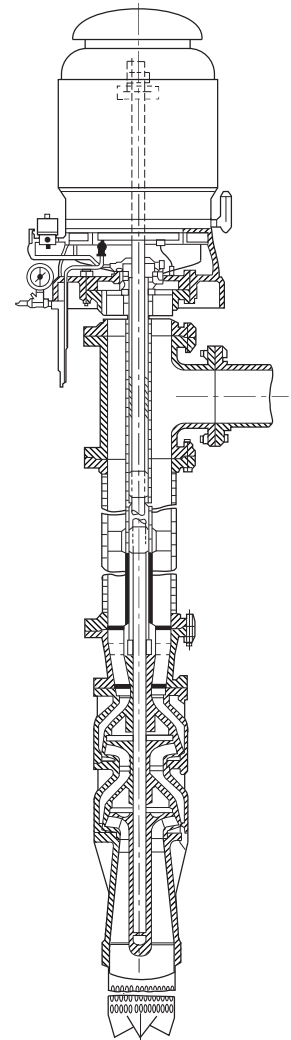
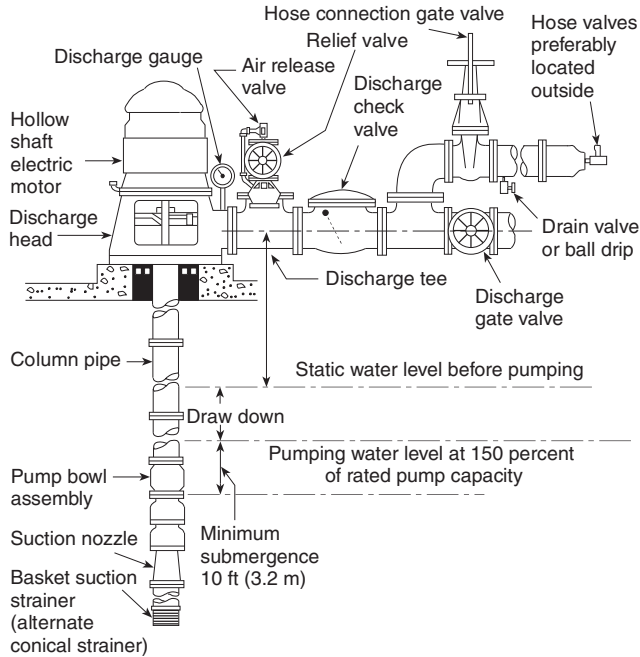


FIGURE A.7.1.1 Water-Lubricated and Oil-Lubricated Shaft Pumps.



Note: The distance between the bottom of the strainer and the bottom of the wet pit should be one-half of the pump bowl diameter but not less than 12 in. (305 mm).

FIGURE A.7.2.2.1 Vertical Shaft Turbine-Type Pump Installation in a Well.

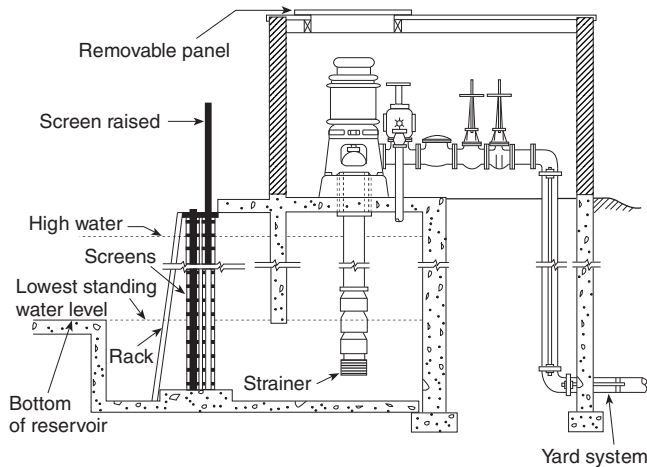
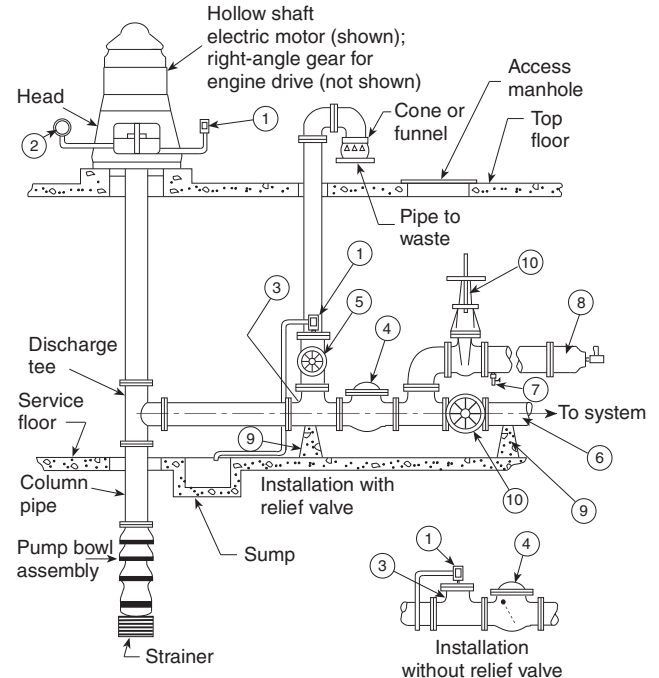


FIGURE A.7.2.2.2 Vertical Shaft Turbine-Type Pump Installation in a Wet Pit.

A.7.3.2.1 In countries that utilize the metric system, there do not appear to be standardized flow ratings for pump capacities; therefore, a soft metric conversion is utilized.

A.7.3.5.3 Water level detection using the air line method is as follows:

(1) A satisfactory method of determining the water level involves the use of an air line of small pipe or tubing of known vertical length, a pressure or depth gauge, and an ordinary bicycle or automobile pump installed as shown



- | | |
|------------------------------|--|
| 1 Automatic air release | 6 Discharge pipe |
| 2 Discharge gauge | 7 Drain valve or ball drip |
| 3 Reducing discharge tee | 8 Hose valve manifold with hose valves |
| 4 Discharge check valve | 9 Pipe supports |
| 5 Relief valve (if required) | 10 Indicating gate or indicating butterfly valve |

FIGURE A.7.3.1 Belowground Discharge Arrangement.

in Figure A.7.3.5.3. The air line pipe should be of known length and extend beyond the lowest anticipated water level in the well, to ensure more reliable gauge readings, and should be properly installed. An air pressure gauge is used to indicate the pressure in the air line. (See Figure A.7.3.5.3.)

- (2) The air line pipe is lowered into the well, a tee is placed in the line above the ground, and a pressure gauge is screwed into one connection. The other connection is fitted with an ordinary bicycle valve to which a bicycle pump is attached. All joints should be made carefully and should be airtight to obtain correct information. When air is forced into the line by means of the bicycle pump, the gauge pressure increases until all of the water has been expelled. When this point is reached, the gauge reading becomes constant. The maximum maintained air pressure recorded by the gauge is equivalent to that necessary to support a column of water of the same height as that forced out of the air line. The length of this water column is equal to the amount of air line submerged.
- (3) Deducting this pressure converted to feet (meters) (pressure in psi $\times 2.31$ = pressure in feet, and pressure in bar $\times 10.3$ = pressure in meters) from the known length of the air line will give the amount of submergence.

Example: The following calculation will serve to clarify Figure A.7.3.5.3.

Assume a length (L) of 50 ft (15.2 m).

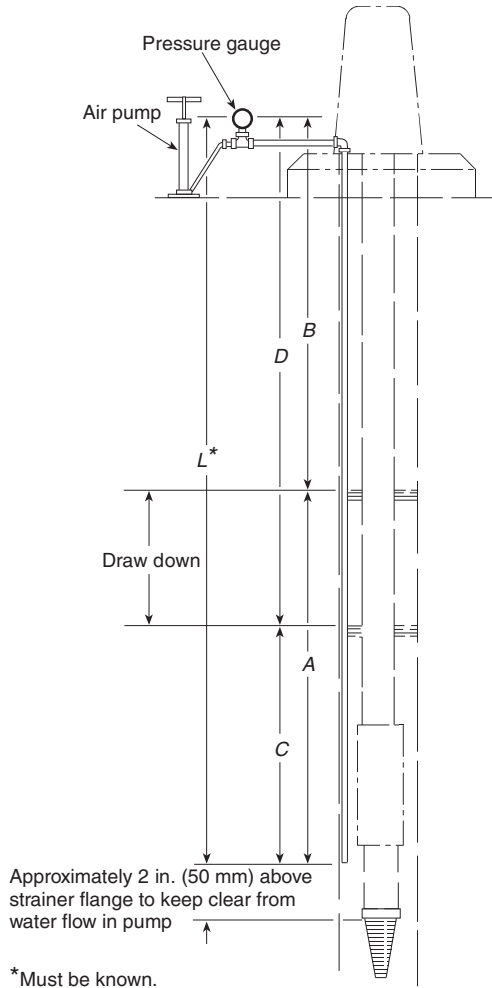


FIGURE A.7.3.5.3 Air Line Method of Determining Depth of Water Level.

The pressure gauge reading before starting the fire pump (p_1) = 10 psi (0.68 bar). Then $A = 10 \times 2.31 = 23.1$ ft ($0.68 \times 10.3 = 7.0$ m). Therefore, the water level in the well before starting the pump would be $B = L - A = 50$ ft - 23.1 ft = 26.9 ft ($B = L - A = 15.2$ m - 7 m = 8.2 m).

The pressure gauge reading when the pump is running (p_2) = 8 psi (0.55 bar). Then $C = 8 \times 2.31 = 18.5$ ft ($0.55 \times 10.3 = 5.6$ m). Therefore, the water level in the well when the pump is running would be $D = L - C = 50$ ft - 18.5 ft = 31.5 ft ($D = L - C = 15.2$ m - 5.6 m = 9.6 m).

The draw down can be determined by any of the following methods:

- (1) $D - B = 31.5$ ft - 26.9 ft = 4.6 ft (9.6 m - 8.2 m = 1.4 m)
- (2) $A - C = 23.1$ ft - 18.5 ft = 4.6 ft (7.0 m - 5.6 m = 1.4 m)
- (3) $p_1 - p_2 = 10 - 8 = 2$ psi = $2 \times 2.31 = 4.6$ ft ($0.68 - 0.55 = 0.13$ bar = $0.13 \times 10.3 = 1.4$ m)

A.7.4 Several methods of installing a vertical pump can be followed, depending upon the location of the well and facilities available. Since most of the unit is underground, extreme care should be used in assembly and installation, thoroughly check-

ing the work as it progresses. The following simple method is the most common:

- (1) Construct a tripod or portable derrick and use two sets of installing clamps over the open well or pump house. After the derrick is in place, the alignment should be checked carefully with the well or wet pit to avoid any trouble when setting the pump.
- (2) Attach the set of clamps to the suction pipe on which the strainer has already been placed and lower the pipe into the well until the clamps rest on a block beside the well casing or on the pump foundation.
- (3) Attach the clamps to the pump stage assembly, bring the assembly over the well, and install pump stages to the suction pipe, until each piece has been installed in accordance with the manufacturer's instructions.

A.7.6.1.1 The setting of the impellers should be undertaken only by a representative of the pump manufacturer. Improper setting will cause excessive friction loss due to the rubbing of impellers on pump seals, which results in an increase in power demand. If the impellers are adjusted too high, there will be a loss in capacity, and full capacity is vital for fire pump service. The top shaft nut should be locked or pinned after proper setting.

A.7.6.1.4 Pumping units are checked at the factory for smoothness of performance and should operate satisfactorily on the job. If excessive vibration is present, the following conditions could be causing the trouble:

- (1) Bent pump or column shaft
- (2) Impellers not properly set within the pump bowls
- (3) Pump not hanging freely in the well
- (4) Strain transmitted through the discharge piping

Excessive motor temperature is generally caused either by a maintained low voltage of the electric service or by improper setting of impellers within the pump bowls.

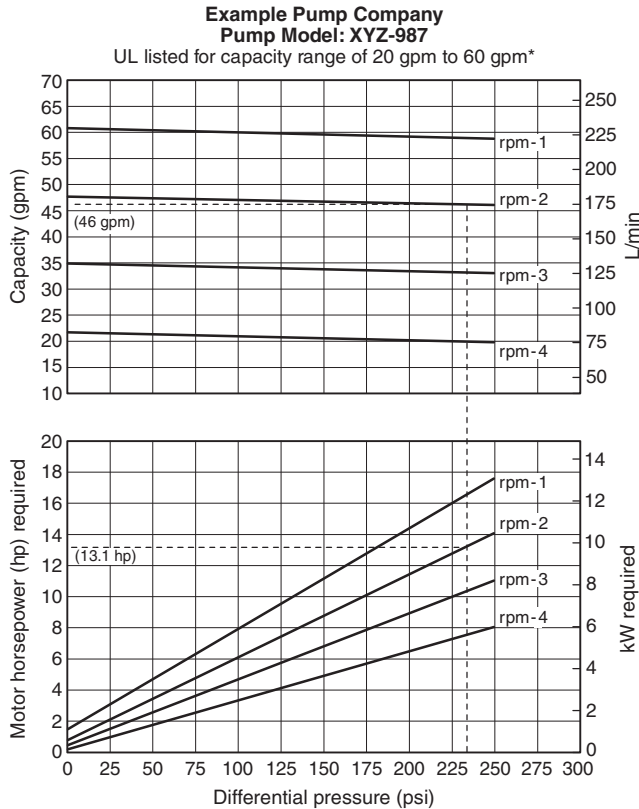
A.8.1 All the requirements in Chapter 4 might not apply to positive displacement pumps.

A.8.1.2 Special attention to the pump inlet piping size and length should be noted.

A.8.1.2.2 This material describes a sample pump characteristic curve and gives an example of pump selection methods. Characteristic performance curves should be in accordance with HI 3.6, *Rotary Pump Tests*.

Example: An engineer is designing a foam-water fire protection system. It has been determined, after application of appropriate safety factors, that the system needs a foam concentrate pump capable of 45 gpm at the maximum system pressure of 230 psi. Using the performance curve (see Figure A.8.1.2.2) for pump model "XYZ-987," this pump is selected for the application. First, find 230 psi on the horizontal axis labeled "differential pressure," then proceed vertically to the flow curve to 45 gpm. It is noted that this particular pump produces 46 gpm at a standard motor speed designated "rpm-2." This pump is an excellent fit for the application. Next, proceed to the power curve for the same speed of rpm-2 at 230 psi and find that it requires 13.1 hp to drive the pump. An electric motor will be used for this application, so a 15 hp motor at rpm-2 is the first available motor rating above this minimum requirement.

A.8.1.5 Positive displacement pumps are tolerance dependent. Corrosion can affect pump performance and function. (See



*Conforms to requirements of Chapter 8 on positive displacement foam concentrate and additive pumps.

FIGURE A.8.1.2.2 Example of Positive Displacement Pump Selection.

ANSI/HI 3.5, Standard for Rotary Pumps for Nomenclature, Design, Application and Operation.)

A.8.2.2 Specific flow rates should be determined by the applicable NFPA standard. Viscose concentrates and additives have significant pipe friction loss from the supply tank to the pump suction.

A.8.2.4 This requirement does not apply to water mist pumps.

A.8.2.5 Generally, pump capacity is calculated by multiplying the maximum water flow by the percentage of concentration desired. To that product is added a 10 percent “over demand” to ensure that adequate pump capacity is available under all conditions.

A.8.2.6 Generally, concentrate pump discharge pressure is required to be added to the maximum water pressure at the injection point plus 25 psi (2 bar).

A.8.3.1 It is not the intent of this standard to prohibit the use of stationary pumps for water mist systems.

A.8.5.2 Positive displacement pumps are capable of quickly exceeding their maximum design discharge pressure if operated against a closed discharge system. Other forms of protective devices (e.g., automatic shutdowns, rupture discs) are considered a part of the pumping system and are generally beyond the scope of the pump manufacturer’s supply. These components should be safely designed into and supplied by the

system designer or by the user, or both. (See Figure A.8.5.2(a) and Figure A.8.5.2(b) for proposed schematic layout of pump requirements.)

A.8.5.3 Only the tank return line and external valves should be used when the outlet line can be closed for more than a few minutes. Operation of a pump with an integral relief valve and a closed outlet line will cause overheating of the pump and a foamy discharge of fluid after the outlet line is reopened. Means of thermal relief should be considered when discharge is piped back to pump suction. Overheating of the pump and subsequent damage to the pump can occur quickly if the pump is operated against a closed outlet line and the relief valve discharge is piped back to suction.

A.8.5.4 Backpressure on the discharge side of the pressure relief valve should be considered. (See Figure A.8.5.4 for proposed schematic layout of pump requirement.)

A.8.5.5 Strainer recommended mesh size is based on the internal pump tolerances. (See Figure A.8.5.5 for standard mesh sizes.)

A.8.6.1 Positive displacement pumps are typically driven by electric motors, internal combustion engines, or water motors.

A.8.7 These controllers can incorporate means to permit automatic unloading or pressure relief when starting the pump driver.

A.9.1.4 Where the power supply involves an on-site power production facility, the protection is required for the facility in addition to the wiring and equipment.

A.9.1.7 Phase converters that take single-phase power and convert it to three-phase power for the use of fire pump motors are not recommended because of the imbalance in the voltage between the phases when there is no load on the equipment. If the power utility installs phase converters in its own power transmission lines, such phase converters are outside the scope of this standard and need to be evaluated by the authority having jurisdiction to determine the reliability of the electric supply.

A.9.1.8 Ground fault alarm provisions are not prohibited.

A.9.2 See Figure A.9.2 for typical power supply arrangements from source to the fire pump motor.

A.9.2.3.1(3) The disconnecting means should be located such that inadvertent simultaneous operation is not likely.

A.9.2.3.1(4) The disconnecting means should be located such that inadvertent simultaneous operation is not likely.

A.9.3.2 A reliable power source possesses the following characteristics:

- (1) The source power plant has not experienced any shut-downs longer than 10 continuous hours in the year prior to plan submittal. NFPA 25 requires special undertakings (i.e., fire watches) when a water-based fire protection system is taken out of service for longer than 10 hours. If the normal source power plant has been intentionally shut down for longer than 10 hours in the past, it is reasonable to require a backup source of power.
- (2) Power outages have not routinely been experienced in the area of the protected facility caused by failures in generation or transmission. This standard is not intended to require that the normal source of power be infallible to deem the power reliable. NFPA 20 does not intend to require a backup source of power for every installation

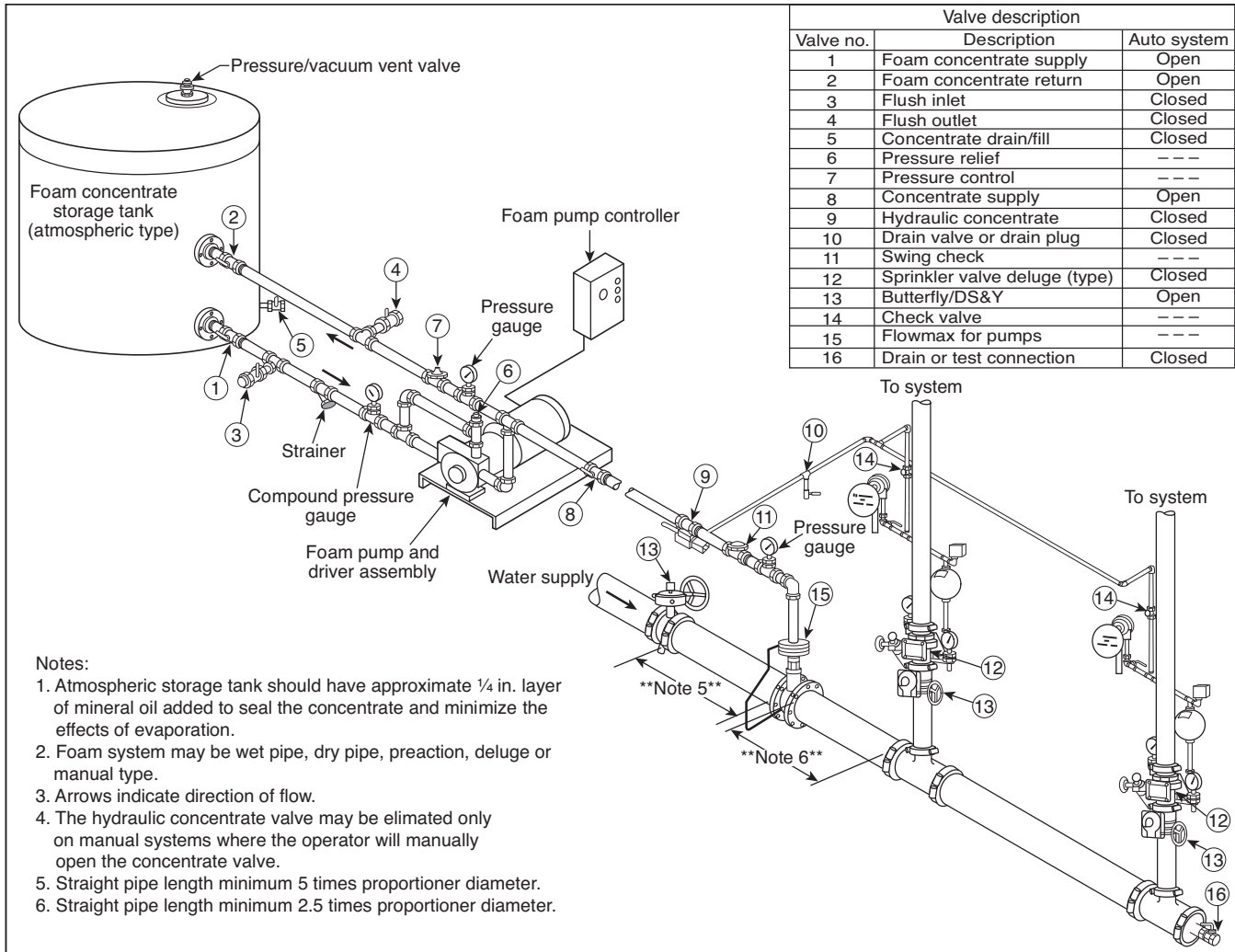


FIGURE A.8.5.2(a) Typical Foam Pump Piping and Fittings with Relief Back to Suction.

using an electric motor-driven fire pump. Note that should the normal source of power fail in a rare event, the impairment procedures of NFPA 25 could be followed to mitigate the fire risk. If a fire does occur during the power loss, the fire protection system could be supplied through the fire department connection.

- (3) The normal source of power is not supplied by overhead conductors outside the protected facility. Fire departments responding to an incident at the protected facility will not operate aerial apparatus near live overhead power lines, without exception. A backup source of power is required in case this scenario occurs and the normal source of power must be shut off. Additionally, many utility providers will remove power to the protected facility by physically cutting the overhead conductors. If the normal source of power is provided by overhead conductors, which will not be identified, the utility provider could mistakenly cut the overhead conductor supplying the fire pump.
- (4) Only the disconnect switches and overcurrent protection devices permitted by 9.2.3 are installed in the normal source of power. Power disconnection and activated over-

current protection should occur only in the fire pump controller. The provisions of 9.2.2 for the disconnect switch and overcurrent protection essentially require disconnection and overcurrent protection to occur in the fire pump controller. If unanticipated disconnect switches or overcurrent protection devices are installed in the normal source of power that do not meet the requirements of 9.2.2, the normal source of power must be considered not reliable and a backup source of power is necessary.

Typical methods of routing power from the source to the motor are shown in Figure A.9.2. Other configurations are also acceptable. The determination of the reliability of a service is left up to the discretion of the authority having jurisdiction.

For more information on the determination of reliability, see the following publications:

- (1) IEEE 493, *Recommended Practice for the Design of Reliable Industrial and Commercial Power Systems*
- (2) "Reliability engineering applied to Critical Operations Power Systems (COPS)," a paper presented at the 2011

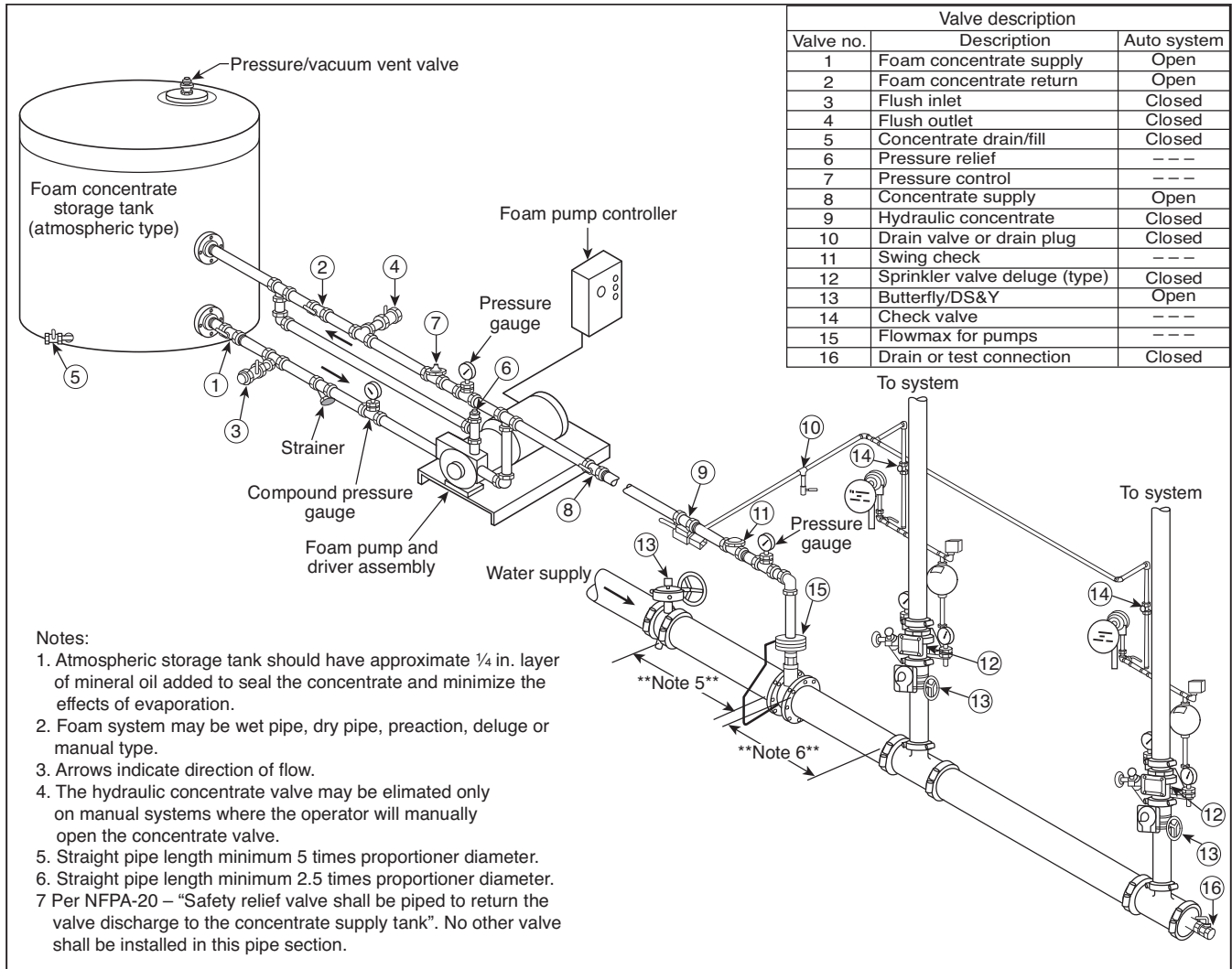


FIGURE A.8.5.2(b) Typical Foam Pump Piping and Fittings with Relief to Tank Return.

IEEE Industrial and Commercial Power Systems Conference (I&CPS)

- (3) "Reliability analysis for power to fire pump using Fault Tree and RBD," in *IEEE Transactions on Industry Applications*
- (4) "Risk analysis for NEC Article 708 Critical Operations Power Systems," paper presented at the 2009 Industry Applications Society Annual Meeting, and published by IEEE
- (5) "NEC Article 708," in *IEEE Industry Application Magazine*, Jan-Feb 2011

A.9.4 Normally, conductor sizing is based on appropriate sections of *NFPA 70*, Article 430, except larger sizes could be required to meet the requirements of *NFPA 70*, Section 695.7 (*NFPA 20*, Section 9.4). Transformer sizing is to be in accordance with *NFPA 70*, Section 695.5(A), except larger minimum sizes could be required to meet the requirements of *NFPA 70*, Section 695.7.

A.9.5.1.4 Variable fire pump motors must be of the inverter duty type for the installation to be reliable. Inverter duty

motors have higher insulation voltage rating, suitable temperature rise rating, and protection from bearing damage.

A.9.5.1.5 The locked rotor currents for 460 V motors are approximately six times the full-load current.

A.9.6.2 Where a generator is installed to supply power to loads in addition to one or more fire pump drivers, the fuel supply should be sized to provide adequate fuel for all connected loads for the desired duration. The connected loads can include such loads as emergency lighting, exit signage, and elevators.

A.9.6.5 Generator protective devices are to be sized to permit the generator to allow instantaneous pickup of the full pump room load. This includes starting any and all connected fire pumps in the across-the-line (direct on line) full voltage starting mode. This is always the case when the fire pump(s) is started by use of the emergency-run mechanical control in 10.5.3.2.

A.9.7(2) See also 10.3.3.

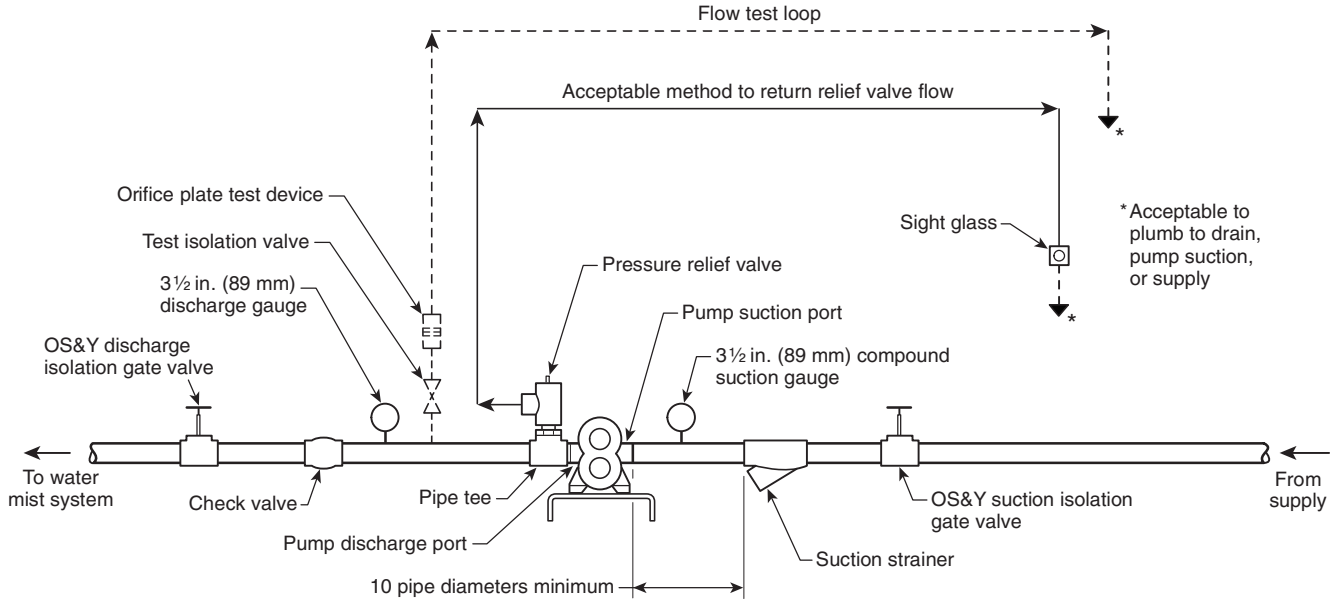


FIGURE A.8.5.4 Typical Water Mist System Pump Piping and Fittings.

Mesh	20	40	60	80	100
Opening (in.)	0.034	0.015	0.0092	0.007	0.0055
Opening (μ)	860	380	230	190	140

FIGURE A.8.5.5 Standard Mesh Sizes.

A.9.7(3) See 10.1.2.1, controller short circuit (withstand) rating.

A.9.8.1 Cutting slots or rectangular cutouts in a fire pump controller will violate the enclosure type rating and the controller’s short circuit (withstand) rating and will void the manufacturer’s warranty. See also *NFPA 70*, Articles 300.20 and 322, for example, for further information.

A.9.8.2 When so required, this seal is to prevent flammable gases from entering the fire pump controller.

A.10.1.2.2 The phrase *suitable for use* means that the controller and the transfer switch have been prototype tested and have demonstrated by those tests their short-circuit withstandability and interrupting capacity at the stated magnitude of short-circuit current and voltage available at their line terminals. (See *ANSI/UL 508, Standard for Industrial Control Equipment*, and *ANSI/UL 1008, Standard for Transfer Switch Equipment*.)

A short-circuit study should be made to establish the available short-circuit current at the controller in accordance with IEEE 141, *Electric Power Distribution for Industrial Plants*, IEEE 241, *Electric Systems for Commercial Buildings*, or other acceptable methods.

After the controller and transfer switch have been subjected to a high fault current, they might not be suitable for further use without inspection or repair.

A.10.1.3 All electrical control equipment design should also follow the guidelines within NEMA ICS 14, *Application Guide for Electric Pump Controllers*.

A.10.2.1 If the controller must be located outside the pump room, a glazed opening should be provided in the pump room wall for observation of the motor and pump during starting. The pressure control pipe line should be protected against freezing and mechanical injury.

A.10.3.3.1 For more information, see NEMA 250, *Enclosures for Electrical Equipment*.

A.10.3.6 For more information, see *NFPA 70*.

A.10.3.7.3 Pump operators should be familiar with instructions provided for controllers and should observe in detail all their recommendations.

A.10.4.1 Operation of the surge arrester should not cause either the isolating switch or the circuit breaker to open. Arresters in ANSI/IEEE C62.11, *IEEE Standard for Metal-Oxide Surge Arresters for AC Power Circuits*, are normally zinc-oxide without gaps.

A.10.4.2.1.2 For more information, see *NFPA 70*.

A.10.4.2.3 For more information, see *NFPA 70*.

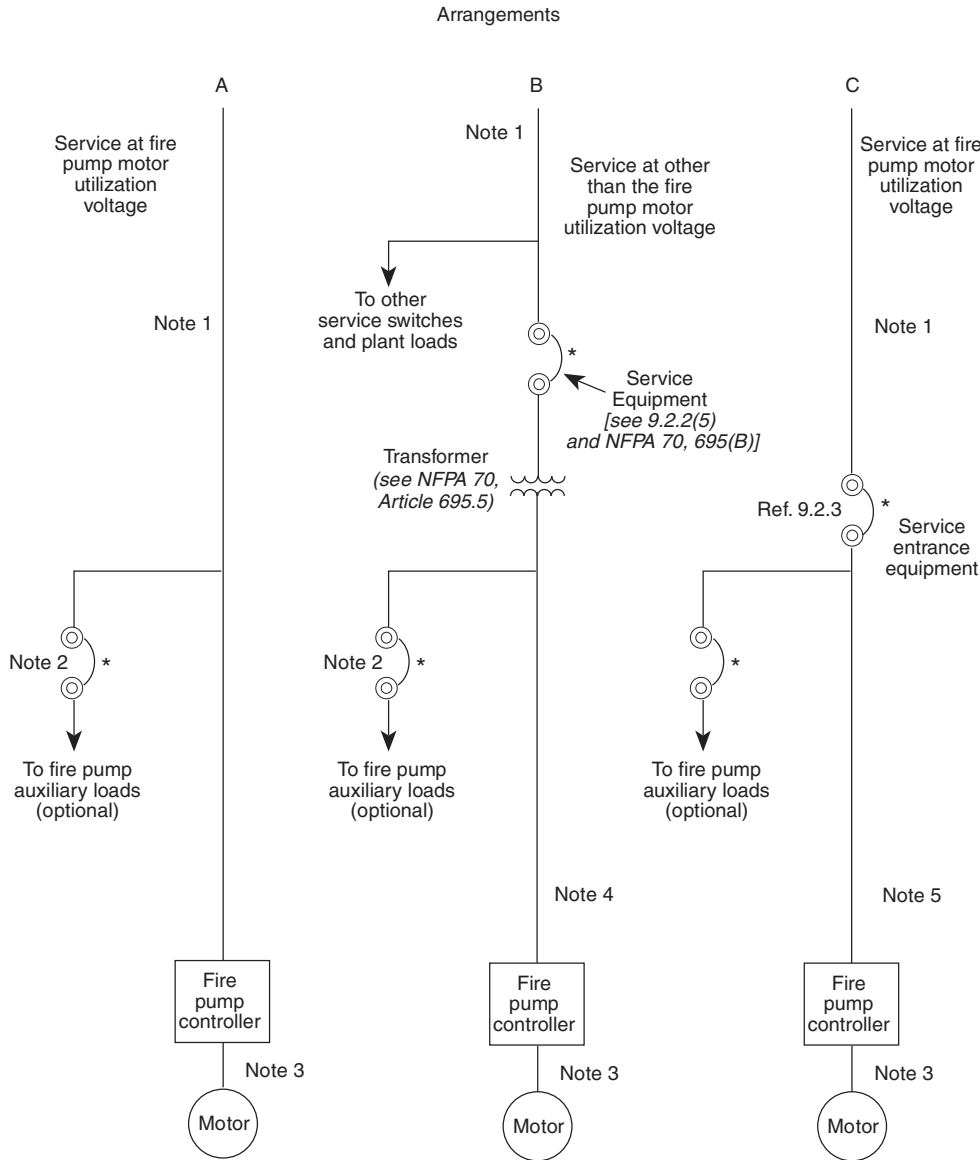
A.10.4.3.1 For more information, see *NFPA 70*, Article 100.

A.10.4.3.3 Attention should be given to the type of service grounding to establish circuit breaker interrupting rating based on grounding type employed.

A.10.4.3.3.1(4) The interrupting rating can be less than the suitability rating where other devices within the controller assist in the current-interrupting process.

A.10.4.3.3.1.1 The isolating switch is not allowed to trip either. See also 10.4.2.1.3.

A.10.4.3.3.1.2 See also A.10.4.3.3.1.1.



*Circuit breakers or fusible switches can be used.

Note 1: Service conductors [see NFPA 70, Article 230]

Note 2: Overcurrent protection (SUSE rated) per NFPA 70, Article 240 or 430

Note 3: Branch circuit conductors [see NFPA 70, 695.6(B)(2)]

Note 4: Feeder conductors [see NFPA 70, 695.6(B)(2)]

Note 5: Dedicated feeder connection [see 9.2.2(3)]

FIGURE A.9.2 Typical Power Supply Arrangements from Source to Motor.

A.10.4.3.3.2 Current limiters are melting link-type devices that, where used as an integral part of a circuit breaker, limit the current during a short circuit to within the interrupting capacity of the circuit breaker.

A.10.4.4(4) It is recommended that the locked rotor overcurrent device not be reset more than two consecutive times if tripped due to a locked rotor condition without the motor first being inspected for excessive heating and to alleviate or eliminate the cause preventing the motor from attaining proper speed.

A.10.4.5.7 The signal should incorporate local visible indication and contacts for remote indication. The signal can be incorporated as part of the power available indication and loss of phase signal. (See 10.4.6.1 and 10.4.7.2.2.)

A.10.4.6 The pilot lamp for signal service should have operating voltage less than the rated voltage of the lamp to ensure long operating life. When necessary, a suitable resistor or potential transformer should be used to reduce the voltage for operating the lamp.

A.10.4.7 Where unusual conditions exist whereby pump operation is not certain, a “failed-to-operate” fire pump alarm is recommended. In order to supervise the power source for the fire pump alarm circuit, the controller can be arranged to start upon failure of the supervised alarm circuit power.

A.10.5.1 The following definitions are derived from *NFPA 70*:

- (1) *Automatic.* Self-acting, operating by its own mechanism when actuated by some impersonal influence, as, for example, a change in current strength, pressure, temperature, or mechanical configuration.
- (2) *Nonautomatic.* Action requiring intervention for its control. As applied to an electric controller, nonautomatic control does not necessarily imply a manual controller, but only that personal intervention is necessary.

A.10.5.2.1 Installation of the pressure sensing line between the discharge check valve and the control valve is necessary to facilitate isolation of the jockey pump controller (and sensing line) for maintenance without having to drain the entire system. [See *Figure A.4.31(a)* and *Figure A.4.31(b)*.]

A.10.5.2.1.3 The purpose of monitoring the pressure transducer is to detect if a transducer has drifted upwardly from zero over time. A transducer that drifts downwardly will automatically cause the fire pump to start when it drifts below the start set point.

A.10.5.2.1.3.1 When the solenoid valve drain opens, the restricting orifice in the pressure sensing line will keep the pressure at the transducer near zero while the solenoid valve is open. This is the time when the transducer can be verified to be less than 10 psi.

A.10.5.2.1.3.2 The purpose of monitoring the pressure reading from a pressure transducer is to detect and correct a transducer that is operating outside of the expected pressure range.

A.10.5.2.1.8.2 The pressure recorder should be able to record a pressure at least 150 percent of the pump discharge pressure under no-flow conditions. In a high-rise building, this requirement can exceed 400 psi (27.6 bar). This pressure recorder should be readable without opening the fire pump controller enclosure. This requirement does not mandate a separate recording device for each controller. A single multichannel recording device can serve multiple sensors. If the pressure recording device is integrated into the pressure controller, the pressure sensing element should be used to record system pressure.

A.10.5.3.2 The emergency-run mechanical control provides means for externally and manually closing the motor contactor across-the-line to start and run the fire pump motor. It is intended for emergency use when normal electric/magnetic operation of the contactor is not possible.

When so used on controllers designed for reduced-voltage starting, the 15 percent voltage drop limitation in Section 9.4 is not applicable.

A.10.5.4.2.1(1) Although the pump is allowed to start and stop automatically during chum testing, 4.3.1 requires qualified person(s) to be in the pump room to monitor conditions while the pump is running.

A.10.8 Typical fire pump controller and transfer switch arrangements are shown in *Figure A.10.8*. Other configurations can also be acceptable.

A.10.8.2 The compartmentalization or separation is to prevent propagation of a fault in one compartment to the source in the other compartment.

A.10.8.3.11 Internal protection refers to any tripping elements contained within the switching mechanism of the transfer switch. This is to prevent a switching mechanism from inhibiting transfer of power.

A.10.10 See *Figure A.10.10*.

A.10.10.3 The bypass path constitutes all of the characteristics of a non-variable speed fire pump controller.

A.10.10.3.1 The bypass contactor should be energized only when there is a pump demand to run and the variable speed pressure limiting control or variable speed suction limiting control is in the fault condition.

A.10.10.3.1.2 Variable speed drive units (VSDs) should have a positive means of indicating that the drive is operational within a few seconds after power application. If the VSD fails, there is no need to wait for the low pressure bypass time of 10.10.3.1.1.

A.10.10.3.1.3 A motor running at a reduced frequency cannot be connected immediately to a source at line frequency without creating high transient currents that can cause tripping of the fire pump circuit breaker. It is also important to take extra care not to connect (back feed) line frequency power to the VSD since this will damage the VSD and, more important, can cause the fire pump circuit breaker to trip, which takes the pump out of service.

A.10.10.5 The intent is to prevent tripping of the fire pump controller circuit breaker due to a variable speed drive failure and thus maintain the integrity of the bypass circuit.

A.10.10.6.2 As the motor cable length between the controller and motor increases, the VSD high frequency switching voltage transients at the motor will increase. To prevent the transients from exceeding the motor insulation ratings, the motor manufacturer's recommended cable lengths must be followed.

A.10.10.10.1 This allows for field adjustments to reduce hunting, excessive overshooting, or oscillating.

A.11.1.3 The compression ignition diesel engine has proved to be the most dependable of the internal combustion engines for driving fire pumps.

A.11.2.2.2 For more information, see SAE J-1349, *Engine Power Test Code — Spark Ignition and Compression Engine*. The 4-hour minimum power requirement in NFPA 20 has been tested and witnessed during the engine listing process.

A.11.2.2.4 See *Figure A.11.2.2.4*.

A.11.2.2.5 Pump room temperature rise should be considered when determining the maximum ambient temperature specified. (See *Figure A.11.2.2.5*.)

A.11.2.4.2 Traditionally, engines have been built with mechanical devices to control the injection of fuel into the combustion chamber. To comply with requirements for reduced exhaust emissions, many engine manufacturers have incorporated electronics to control the fuel injection process, thus eliminating

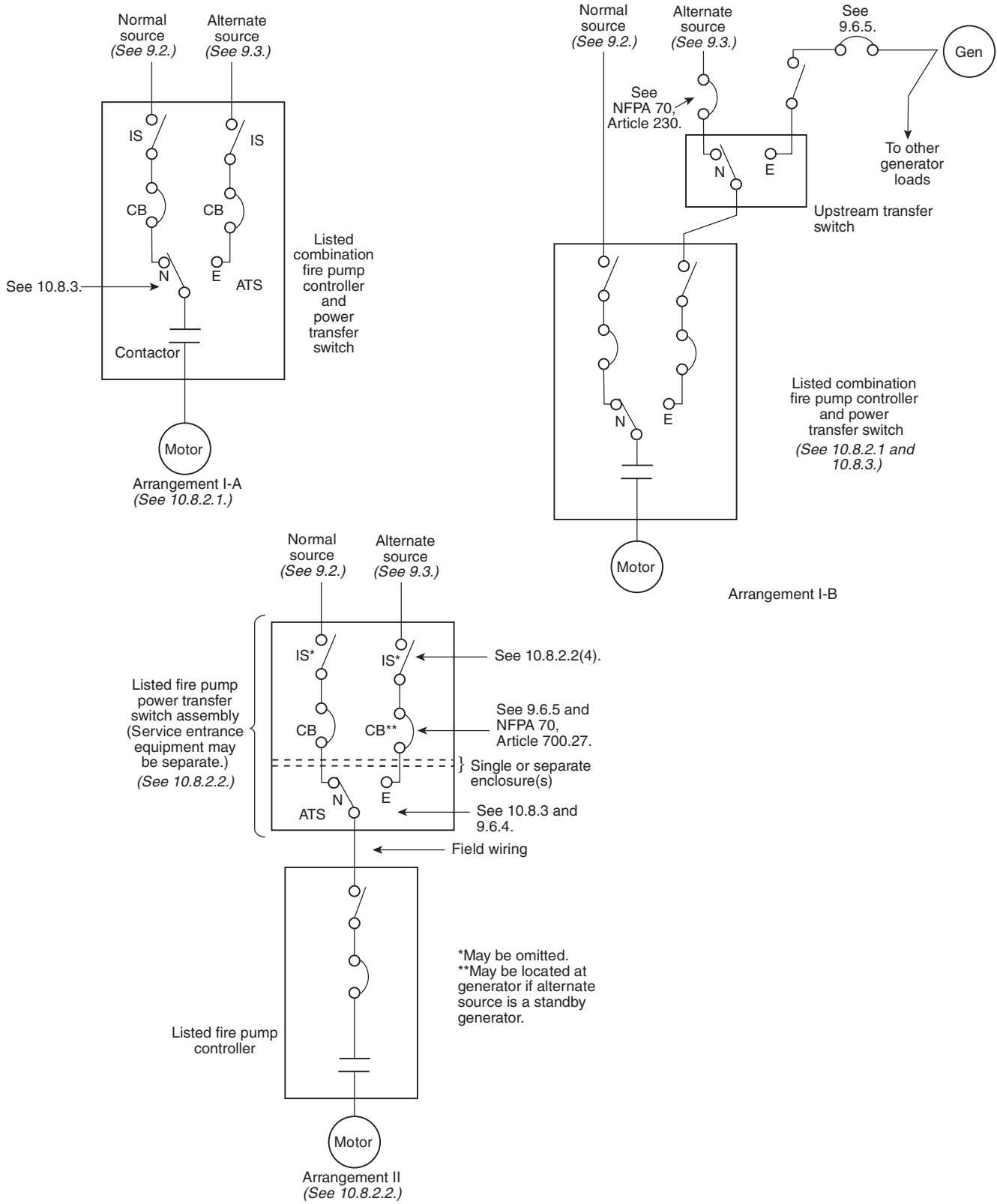


FIGURE A.10.8 Typical Fire Pump Controller and Transfer Switch Arrangements.

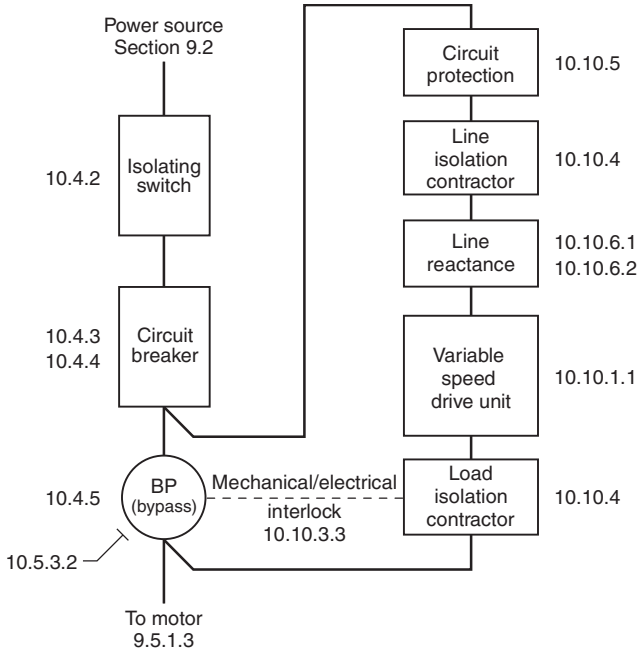
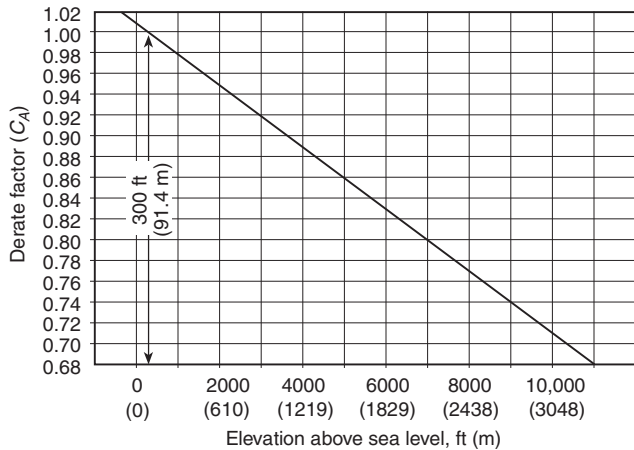


FIGURE A.10.10 Variable Speed Pressure Limiting Control.



Note: The correction equation is as follows:
 Corrected engine horsepower = $(C_A + C_T - 1) \times$ listed engine horsepower
 where:
 C_A = derate factor for elevation
 C_T = derate factor for temperature

FIGURE A.11.2.2.4 Elevation Derate Curve.

levers and linkages. Many of the mechanically controlled engines are no longer manufactured.

A.11.2.4.2.4 ECMs can be designed by engine manufacturers to monitor various aspects of engine performance. A stressed engine condition (such as high cooling water temperature) is usually monitored by the ECM and is built into the ECM control logic to reduce the horsepower output of the engine, thus providing a safeguard for the engine. Such engine safeguards are not permitted for ECMs in fire pump engine applications.

A.11.2.4.2.7.1 When engines are in standby and the battery chargers have the batteries in float, it is actually the chargers that are providing the current to support the engine, controller, and pump room as defined in 11.2.7.2.3.2.

A.11.2.4.3.4.3 Some variable speed pressure limiting control systems require a small flow of water through the sensing line. The design of the sensing line connection to the fire water pipe should consider the prevention of contamination. Connecting the sensing line in a horizontal plane to the side of the fire water pipe is a desirable location.

A.11.2.6.1.1 A harness on the enclosure will ensure ready wiring in the field between the two sets of terminals.

A.11.2.6.2 Terminations should be made using insulated ring-type compression connectors for post-type terminal blocks. Saddle-type terminal blocks should have the wire stripped with about $\frac{1}{16}$ in. (1.6 mm) of bare wire showing after insertion in the saddle, to ensure that no insulation is below the saddle. Wires should be tugged to ensure adequate tightness of the termination.

A.11.2.7.2.1.5 The 72-hour requirement is intended to apply when batteries are new. Some degradation is expected as batteries age.

A.11.2.7.2.2 Manual mechanical operation of the main battery contractor will bypass all of the control circuit wiring within the controller.

A.11.2.7.2.4 Location at the side of and level with the engine is recommended to minimize lead length from battery to starter.

A.11.2.7.4.4 Automatic maintenance of air pressure is preferable.

A.11.2.8.5 See Figure A.11.2.8.5. Water supplied for cooling the heat exchanger is sometimes circulated directly through water-jacketed exhaust manifolds or engine aftercoolers, or both, in addition to the heat exchangers.

A.11.2.8.5.3.8(A) See Figure A.11.2.8.5.3.8(A).

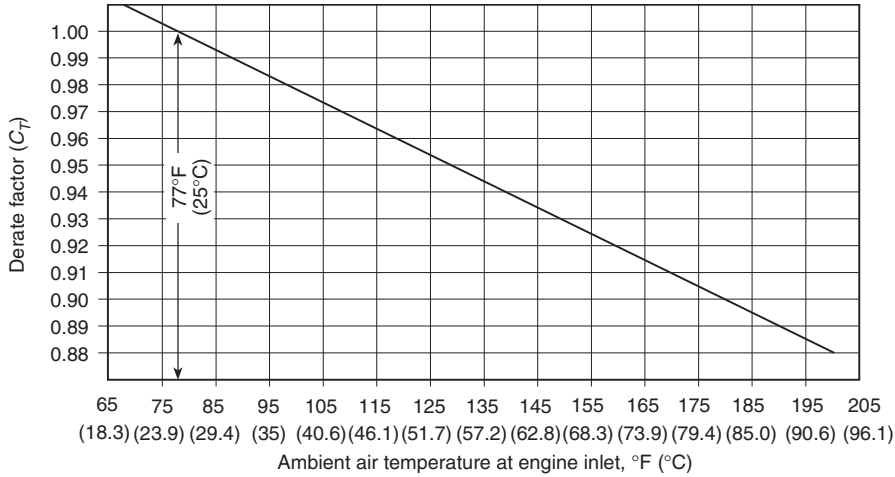
A.11.2.8.5.3.8(B) See Figure A.11.2.8.5.3.8(B).

A.11.2.8.6 Where the water supply can be expected to contain foreign materials, such as wood chips, leaves, lint, and so forth, the strainers required in 11.2.8.5 should be of the duplex filter type. Each filter (clean) element should be of sufficient filtering capacity to permit full water flow for a 3-hour period. In addition, a duplex filter of the same size should be installed in the bypass line. (See Figure A.11.2.8.5.)

A.11.3 The engine-driven pump can be located with an electric-driven fire pump(s) in a pump house or pump room that should be entirely cut off from the main structure by noncombustible construction. The fire pump house or pump room can contain facility pumps and/or equipment as determined by the authority having jurisdiction.

A.11.3.2 For optimum room ventilation, the air supply ventilator and air discharge should be located on opposite walls.

When calculating the maximum temperature of the pump room, the radiated heat from the engine, the radiated heat from the exhaust piping, and all other heat-contributing sources should be considered.



Note: The correction equation is as follows:

$$\text{Corrected engine horsepower} = (C_A + C_T - 1) \times \text{listed engine horsepower}$$

where:

C_A = derate factor for elevation

C_T = derate factor for temperature

FIGURE A.11.2.2.5 Temperature Derate Curve.

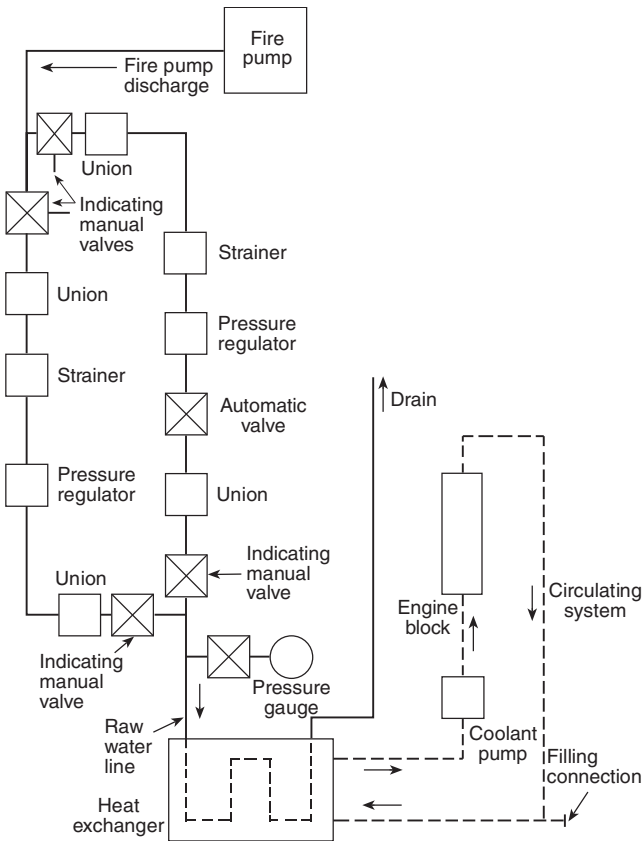


FIGURE A.11.2.8.5 Cooling Water Line with Bypass.

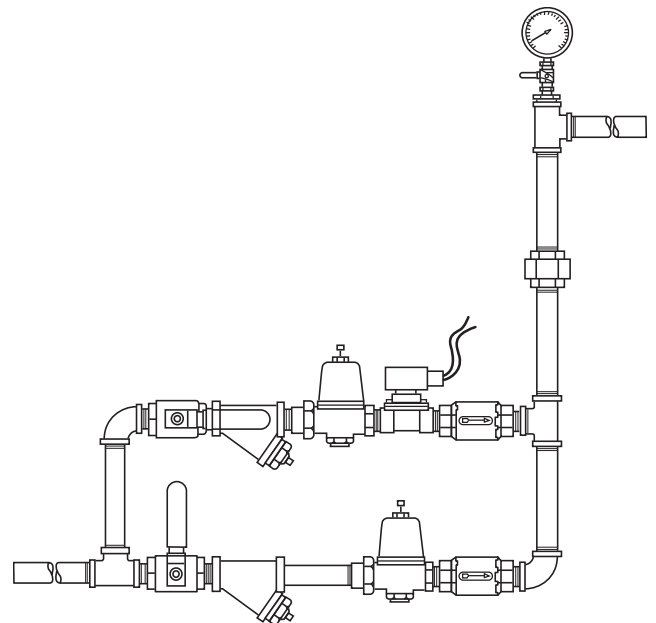


FIGURE A.11.2.8.5.3.8(A) Spring-Loaded Check Valve Arrangement.

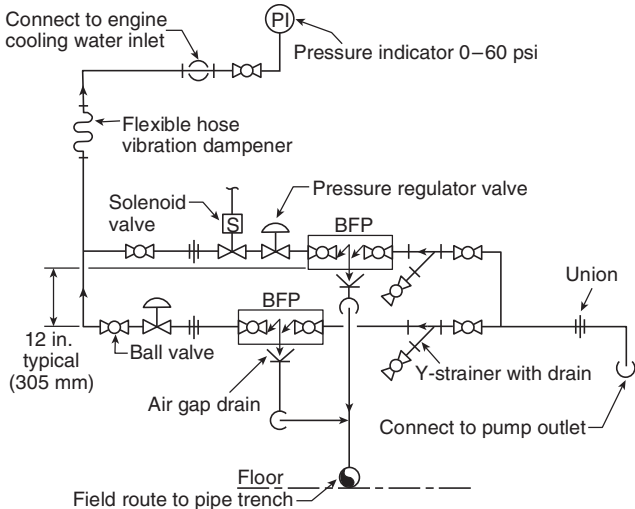


FIGURE A.11.2.8.5.3.8(B) Backflow Preventer Arrangement.

If the pump room is to be ventilated by a power ventilator, reliability of the power source during a fire should be considered. If the power source is unreliable, the temperature rise calculation should assume the ventilator is not operable.

Air consumed by the engine for combustion should be considered as part of the air changes in the room.

Pump rooms with heat exchanger-cooled engines typically require more air changes than engine air consumption can provide. To control the temperature rise of the room, additional air flow through the room is normally required. [See Figure A.11.3.2(a).]

Pump rooms with radiator-cooled engines could have sufficient air changes due to the radiator discharge and engine consumption. [See Figure A.11.3.2(b).]

A.11.3.2.3 When motor-operated dampers are used in the air supply path, they should be spring operated to the open position and motored closed. Motor-operated dampers should be signaled to open when or before the engine begins cranking to start.

It is necessary that the maximum air flow restriction limit for the air supply ventilator be compatible with listed engines to ensure adequate air flow for cooling and combustion. This restriction typically includes louvers, bird screens, dampers,

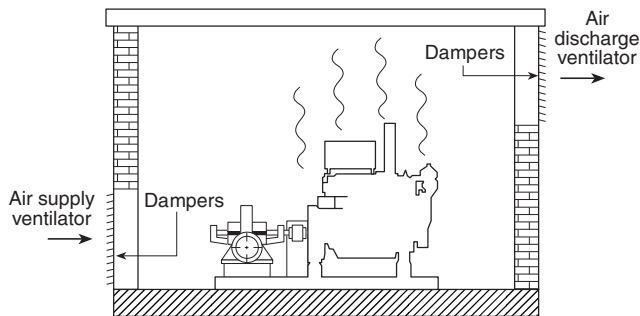


FIGURE A.11.3.2(a) Typical Ventilation System for a Heat Exchanger-Cooled Diesel-Driven Pump.

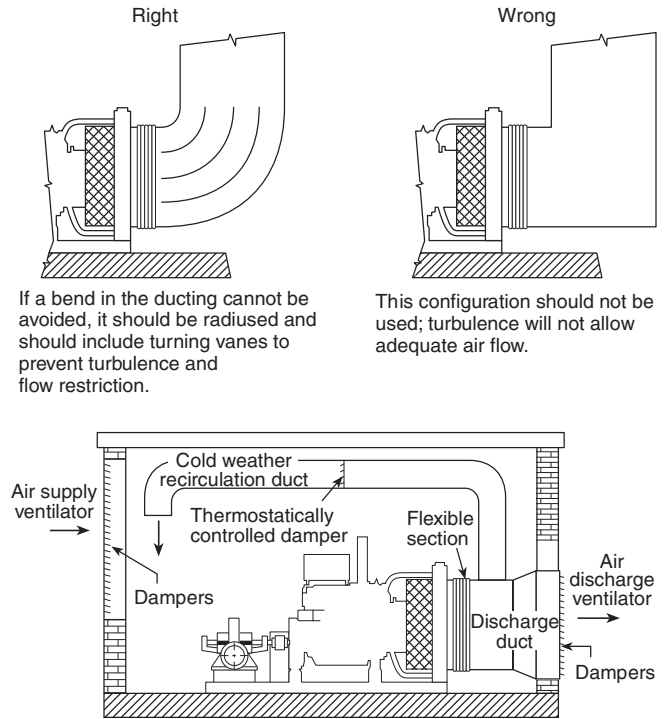


FIGURE A.11.3.2(b) Typical Ventilation System for a Radiator-Cooled Diesel-Driven Pump.

ducts, and anything else in the air supply path between the pump room and the outdoors.

Motor-operated dampers are recommended for the heat exchanger-cooled engines to enhance convection circulation.

Gravity-operated dampers are recommended for use with radiator-cooled engines to simplify their coordination with the air flow of the fan.

Another method of designing the air supply ventilator in lieu of dampers is to use a vent duct (with rain cap), the top of which extends through the roof or outside wall of a pump house and the bottom of which is approximately 6 in. (152.4 mm) off the floor of the pump house. This passive method reduces heat loss in the winter. Sizing of this duct must meet the requirements of 11.3.2.1.

A.11.3.2.4 When motor-operated dampers are used in the air discharge path, they should be spring operated to the open position, motored closed, and signaled to open when or before the engine begins cranking to start.

Prevailing winds can work against the air discharge ventilator. Therefore, the winds should be considered in determining the location for the air discharge ventilator. (See Figure A.11.3.2.4 for the recommended wind wall design.)

For heat exchanger-cooled engines, an air discharge ventilator with motor-driven dampers designed for convection circulation is preferred in lieu of a power ventilator. This arrangement requires the size of the ventilator to be larger, but it is not dependent on a power source that might not be available during the pump operation.

For radiator-cooled engines, gravity-operated dampers are recommended. Louvers and motor-operated dampers are not recommended due to the restriction to air flow they create and the air pressure against which they must operate.

The maximum air flow restriction limit for the air discharge ventilator is necessary to be compatible with listed engines to ensure adequate air flow cooling.

A.11.3.2.4.3.4 If not properly installed, the bypass duct can draw air rather than supply it, due to venturi effect.

A.11.4.1.2 The quantity 1 gal per hp (5.07 L per kW) is equivalent to 1 pint per hp (0.634 L per kW) per hour for 8 hours. Where prompt replenishment of fuel supply is unlikely, a reserve supply should be provided along with facilities for transfer to the main tanks.

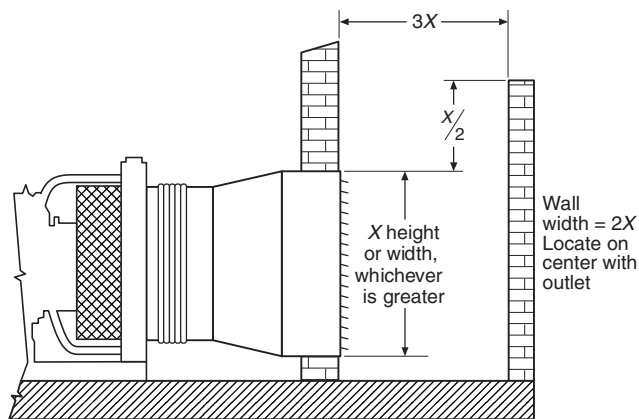


FIGURE A.11.3.2.4 Typical Wind Wall.

A.11.4.1.3.1 Where the authority having jurisdiction approves the start of the fire pump on loss of ac power supply, provisions should be made to accommodate the additional fuel needed for this purpose.

A.11.4.3 Diesel fuel storage tanks preferably should be located inside the pump room or pump house, if permitted by local regulations. Fill and vent lines in such case should be extended to outdoors. The fill pipe can be used for a gauging well where practical.

A.11.4.4 NFPA 31 can be used as a guide for diesel fuel piping. Figure A.11.4.4 shows a suggested diesel engine fuel system.

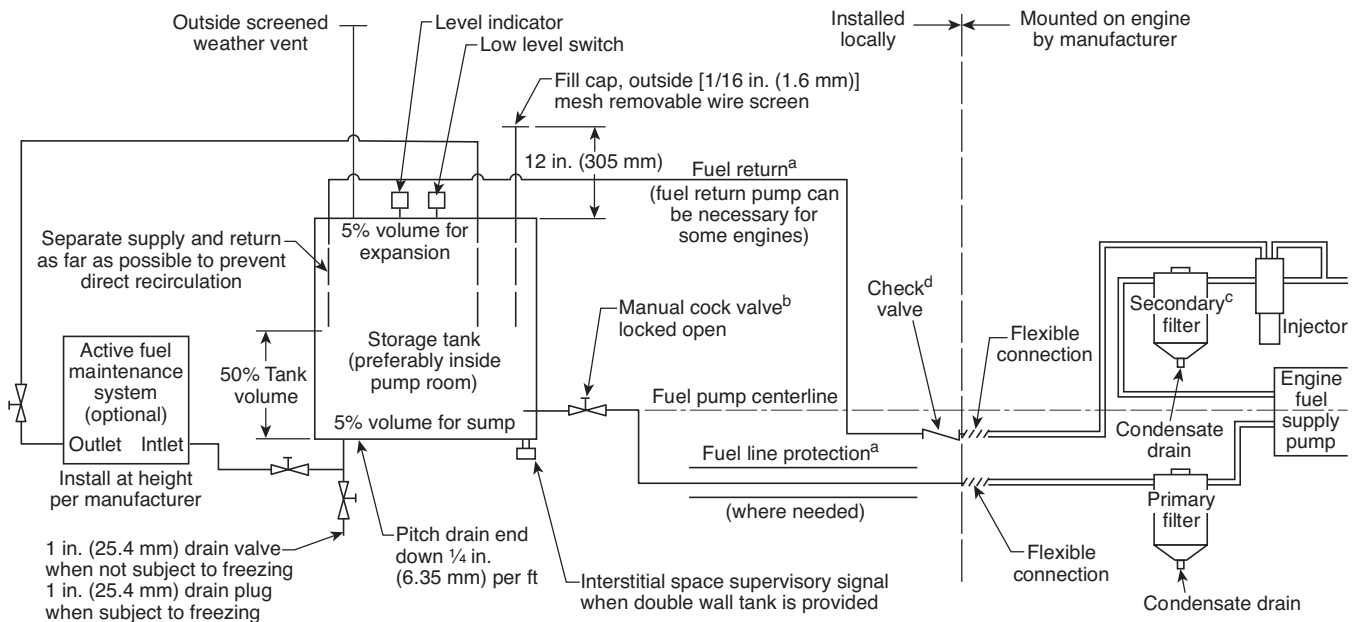
A.11.4.4.6 A means, such as covered floor trough, angle, channel steel, or other adequate protection cover(s) (mechanical or nonmechanical), should be used on all fuel line piping "exposed to traffic," to prevent damage to the fuel supply and return lines between the fuel tank and diesel driver.

A.11.4.5 The pour point and cloud point should be at least 10°F (5.6°C) below the lowest expected fuel temperature. (See 4.13.2 and 11.4.3.)

A.11.4.5.1 Biodiesel and other alternative fuels are not recommended for diesel engines used for fire protection because of the unknown storage life issues. It is recommended that these engines use only petroleum fuels.

A.11.4.6 The prevention of electrostatic ignition in equipment is a complex subject. Refer to NFPA 77 for more guidance.

A.11.5.2 A conservative guideline is that, if the exhaust system exceeds 15 ft (4.5 m) in length, the pipe size should be increased one pipe size larger than the engine exhaust outlet size for each 5 ft (1.5 m) in added length.



^aSize fuel piping according to engine manufacturer's specifications.

^bExcess fuel can be returned to fuel supply pump suction, only if recommended by engine manufacturer.

^cSecondary filter behind or before engine fuel pump, according to engine manufacturer's specifications.

^dCheck valve in return only as required by engine manufacturer.

FIGURE A.11.4.4 Fuel System for Diesel Engine-Driven Fire Pump.

A.11.5.2.9 Exhaust emission after treatment devices are typically dependent upon high exhaust temperature to burn away collected materials to prevent clogging. Due to the lower exhaust temperatures produced by the engine when operating at pump shutoff during weekly operation, there is a high possibility the after treatment device will accumulate collected material and will not be capable of flowing the volume of exhaust in the event the engine is required to produce full rated power for an emergency.

A.11.6 Internal combustion engines necessarily embody moving parts of such design and in such number that the engines cannot give reliable service unless given diligent care. The manufacturer's instruction book covering care and operation should be readily available, and pump operators should be familiar with its contents. All of its provisions should be observed in detail.

A.11.6.2 See NFPA 25 for proper maintenance of engine(s), batteries, fuel supply, and environmental conditions.

A.11.6.4 Commercial distillate fuel oils used in modern diesel engines are subject to numerous detrimental effects during storage. The origin of the crude oil, refinement processing techniques, time of year, and geographical consumption location all influence the determination of fuel blend formulas. Naturally occurring gums, waxes, soluble metallic soaps, water, dirt, blends, and temperature all contribute to the degradation of the fuel as it is handled and stored. These effects begin at the time of fuel refinement and continue until consumption. Proper maintenance of stored distillate fuel is critical for engine operation, efficiency, and longevity.

Storage tanks should be kept waterfree. Water contributes to steel tank corrosion and the development of microbiological growth where fuel and water interface. These problems together with the metals of the system provide elements that react with fuel to form certain gels or organic acids, resulting in clogging of filters and system corrosion. Scheduled fuel maintenance helps to reduce fuel degradation. Fuel maintenance filtration can remove contaminants and water and maintain fuel conditions to provide reliability and efficiency for standby fire pump engines. Fuel maintenance and testing should begin the day of installation and first fill.

A.11.6.4.3 NFPA 25 requires periodic testing of the fuel and maintenance of the fuel supply tank to ensure quality fuel is always available to the engine for fire protection operation.

A.11.6.4.4 When environmental or fuel quality conditions result in degradation of the fuel while stored in the supply tank from such contaminants as water, micro-organisms, and particulates, or by destabilization, it has been found that active fuel maintenance systems permanently installed on the fuel storage tanks have proven to be successful at maintaining fuel quality. An active fuel maintenance system will maintain the fuel quality in the tank, therefore preventing the fuel from going through possible cycles of degradation, risking engine reliability, and later requiring reconditioning.

A.11.6.5 Proper engine temperature, in accordance with 11.2.8.2 and 11.6.5.1, maintained through the use of a supplemental heater has many benefits, as follows:

- (1) Quick starting (a fire pump engine might have to carry a full load as soon as it is started)
- (2) Reduced engine wear
- (3) Reduced drain on batteries

- (4) Reduced oil dilution
- (5) Reduced carbon deposits, so that the engine is far more likely to start every time

A.12.2.1 If the controller must be located outside the pump room, a glazed opening should be provided in the pump room wall for observation of the motor and pump during starting. The pressure control pipeline should be protected against freezing and mechanical injury.

A.12.3.1.1 In areas affected by excessive moisture, heat can be useful in reducing the dampness.

A.12.3.3.1 For more information, see NEMA 250, *Enclosures for Electrical Equipment*.

A.12.3.8 Pump operators should be familiar with instructions provided for controllers and should observe in detail all their recommendations.

A.12.4.1.2 It is recommended that the pilot lamp for signal service have operating voltage less than the rated voltage of the lamp to ensure long operating life. When necessary, a suitable resistor should be used to reduce the voltage for operating the lamp.

A.12.4.1.4(1) The controller can set the signal trip point above the two-thirds level. But, higher than $\frac{3}{4}$ of nominal is not recommended to avoid false signals during normal battery aging.

A.12.4.1.4(6) The signal provided is from a common alarm and the indication of the type of trouble happening should be indicated on the engine.

A.12.4.1.6 This automatic reset function can be accomplished by the use of a silence switch of the automatic reset type or of the self-supervising type.

A.12.4.2.3(3) The following signals should be monitored remotely from the controller:

- (1) A common signal can be used for the following trouble indications: the items in 12.4.1.4(1) through 12.4.1.4(7) and loss of output of battery charger on the load side of the dc overcurrent protective device.
- (2) The arrangement specified in A.12.4.2.3(3)(2) is permitted only where approved by the authority having jurisdiction in accordance with Section 1.5 and allows, upon loss of the ac power supply, the batteries to maintain their charge, activates ventilation in case conditions require cooling the engine, and/or maintains engine temperature in case conditions require heating the engine. (See also A.4.6.4 and A.11.4.1.3.1.)

A.12.4.4 The pressure recorder should be able to record a pressure at least 150 percent of the pump discharge pressure under no-flow conditions. In a high-rise building, this requirement can exceed 400 psi (27.6 bar). This requirement does not mandate a separate recording device for each controller. A single multichannel recording device can serve multiple sensors.

A.12.5 A single charger that automatically alternates from one battery to another can be used on two battery installations.

A.12.7 The following definitions are derived from NFPA 70:

- (1) *Automatic*. Self-acting, operating by its own mechanism when actuated by some impersonal influence (e.g., a

change in current strength, pressure, temperature, or mechanical configuration).

- (2) *Nonautomatic.* The implied action requires personal intervention for its control. As applied to an electric controller, nonautomatic control does not necessarily imply a manual controller, but only that personal intervention is necessary.

A.12.7.2.1.3 The purpose of monitoring pressure readings from a pressure transducer is to detect and correct a transducer that is operating outside of the expected pressure range.

A.12.7.2.1.3.1 The purpose of monitoring the pressure transducer is to detect whether a transducer has drifted upwardly over time from zero. A transducer that drifts downwardly will automatically cause the fire pump to start when it drifts below the start setpoint.

A.12.7.2.1.3.2 When the solenoid valve drain opens, the restricting orifice in the pressure sensing line will keep the pressure at the transducer near zero while the solenoid valve is open. This is the time when the transducer can be verified to be less than 10 psi.

A.12.7.5.2 Manual shutdown of fire pumps is preferred. Automatic fire pump shutdown can occur during an actual fire condition when relatively low-flow conditions signal the controller that pressure requirements have been satisfied.

A.12.7.5.2.1(1) Although the pump is allowed to start and stop automatically during churn testing, 4.3.1 requires qualified person(s) to be in the pump room to monitor conditions while the pump is running.

A.12.7.5.2.2 A run time of 30 to 45 minutes is usually long enough to dry out the exhaust system and bring the engine and oil up to normal operating temperatures to dry them out. Longer times could require larger fuel tanks.

A.13.1.3 Single-stage turbines of maximum reliability and simplicity are recommended where the available steam supply will permit.

A.13.2.1.1 The casing can be of cast iron.

Some applications can require a turbine-driven fire pump to start automatically but not require the turbine to be on pressure control after starting. In such cases, a satisfactory quick-opening manual reset valve installed in a bypass of the steam feeder line around a manual control valve can be used.

Where the application requires the pump unit to start automatically and after starting continue to operate by means of a pressure signal, the use of a satisfactory pilot-type pressure control valve is recommended. This valve should be located in the bypass around the manual control valve in the steam feeder line. The turbine governor control valve, when set at approximately 5 percent above the normal full-load speed of the pump under automatic control, would act as a pre-emergency control.

In the arrangements set forth in the two preceding paragraphs, the automatic valve should be located in the bypass around the manual control valve, which would normally be kept in the closed position. In the event of failure of the automatic valve, this manual valve could be opened, allowing the turbine to come to speed and be controlled by the turbine governor control valve(s).

The use of a direct acting pressure regulator operating on the control valve(s) of a steam turbine is not recommended.

A.13.3 The following information should be taken into consideration when planning a steam supply, exhaust, and boiler feed for a steam turbine-driven fire pump.

The steam supply for the fire pump should preferably be an independent line from the boilers. It should be run so as not to be liable to damage in case of fire in any part of the property. The other steam lines from the boilers should be controlled by valves located in the boiler room. In an emergency, steam can be promptly shut off from these lines, leaving the steam supply entirely available for the fire pump. Strainers in steam lines to turbines are recommended.

The steam throttle at the pump should close against the steam pressure. It should preferably be of the globe pattern with a solid disc. If, however, the valve used has a removable composition ring, the disc should be of bronze and the ring made of sufficiently hard and durable material, and so held in place in the disc as to satisfactorily meet severe service conditions. Gate valves are undesirable for this service because they cannot readily be made leaktight, as is possible with the globe type of valve. The steam piping should be so arranged and trapped that the pipes can be kept free of condensed steam.

In general, a pressure-reducing valve should not be placed in the steam pipe supplying the fire pump. There is no difficulty in designing turbines for modern high-pressure steam, and this gives the simplest and most dependable unit. A pressure-reducing valve introduces a possible obstruction in the steam line in case it becomes deranged. In most cases, the turbines can be protected by making the safety valve required by 13.2.1.2 of such size that the pressure in the casing will not exceed 25 psi (1.7 bar). This valve should be piped outside of the pump room and, if possible, to some point where the discharge could be seen by the pump attendant. Where a pressure-reducing valve is used, the following points should be carefully considered:

(1) *Pressure-Reducing Valve.*

- (a) The pressure-reducing valve should not contain a stuffing box or a piston working in a cylinder.
- (b) The pressure-reducing valve should be provided with a bypass containing a globe valve to be opened in case of an emergency. The bypass and stop valves should be one pipe size smaller than the reducing valve, and they should be located so as to be readily accessible. This bypass should be arranged to prevent the accumulation of condensate above the reducing valve.
- (c) The pressure-reducing valve should be smaller than the steam pipe required by the specifications for the turbine.

(2) *Exhaust Pipe.* The exhaust pipe should run directly to the atmosphere and should not contain valves of any type. It should not be connected with any condenser, heater, or other system of exhaust piping.

(3) *Emergency Boiler Feed.* A convenient method of ensuring a supply of steam for the fire pump unit, in case the usual boiler feed fails, is to provide an emergency connection from the discharge of the fire pump. This connection should have a controlling valve at the fire pump and also, if desired, an additional valve located in the boiler room. A check valve also should be located in this connection,

preferably in the boiler room. This emergency connection should be about 2 in. (50 mm) in diameter.

This method should not be used when there is any danger of contaminating a potable water supply. In situations where the fire pump is handling salt or brackish water, it might also be undesirable to make this emergency boiler feed connection. In such situations, an effort should be made to secure some other secondary boiler feed supply that will always be available.

A.14.1.1 The suction piping to a fire pump needs to be adequately flushed to make sure stones, silt, and other debris will not enter the pump or the fire protection system. The flow rates in Table 14.1.1.1 are the minimum recommended, which will produce a velocity of approximately 15 ft/sec (4.6 m/sec). If the flow rate cannot be achieved with the existing water supply, a supplemental source such as a fire department pumper could be necessary. The procedure is to be performed, witnessed, and signed off before connection to the suction piping is completed.

A.14.1.3 See Figure A.14.1.3(a) for a sample of a contractor's material and test certificate for fire pumps and Figure A.14.1.3(b) for a sample certificate for private fire service mains.

A.14.2.1 In addition, representatives of the installing contractor, insurance company, and owner should be present.

A.14.2.4 If a complete fire pump submittal package is available, it should provide for comparison of the equipment specified. Such a package should include an approved copy of the fire pump room general arrangement drawings, including the electrical layout, the layout of the pump and water source, the layout of the pump room drainage details, the pump foundation layout, and the mechanical layout for heat and ventilation.

A.14.2.6 The fire pump operation is as follows:

- (1) *Motor-Driven Pump.* To start a motor-driven pump, the following steps should be taken in the following order:
 - (a) See that pump is completely primed.
 - (b) Close isolating switch and then close circuit breaker.
 - (c) Automatic controller will start pump if system demand is not satisfied (e.g., pressure low, deluge tripped).
 - (d) For manual operation, activate switch, pushbutton, or manual start handle. Circuit breaker tripping mechanism should be set so that it will not operate when current in circuit is excessively large.
- (2) *Steam-Driven Pump.* A steam turbine driving a fire pump should always be kept warmed up to permit instant operation at full-rated speed. The automatic starting of the turbine should not be dependent on any manual valve operation or period of low-speed operation. If the pop safety valve on the casing blows, steam should be shut off and the exhaust piping examined for a possible closed valve or an obstructed portion of piping. Steam turbines are provided with governors to maintain speed at a predetermined point, with some adjustment for higher or lower speeds. Desired speeds below this range can be obtained by throttling the main throttle valve.
- (3) *Diesel Engine-Driven Pump.* To start a diesel engine-driven pump, the operator should be familiar beforehand with the operation of this type of equipment. The instruction books issued by the engine and control manufacturer should be studied to this end. The storage batteries

should always be maintained in good order to ensure prompt, satisfactory operation of this equipment (i.e., check electrolyte level and specific gravity, inspect cable conditions, corrosion, etc.).

- (4) *Fire Pump Settings.* The fire pump system, when started by pressure drop, should be arranged as follows:
 - (a) The jockey pump stop point should equal the pump churn pressure plus the minimum static supply pressure.
 - (b) The jockey pump start point should be at least 10 psi (0.68 bar) less than the jockey pump stop point.
 - (c) The fire pump start point should be 5 psi (0.34 bar) less than the jockey pump start point. Use 10 psi (0.68 bar) increments for each additional pump.
 - (d) Where minimum run times are provided, the pump will continue to operate after attaining these pressures. The final pressures should not exceed the pressure rating of the system.
 - (e) Where the operating differential of pressure switches does not permit these settings, the settings should be as close as equipment will permit. The settings should be established by pressures observed on test gauges.
 - (f) Examples of fire pump settings follow (for SI units, 1 psi = 0.0689 bar):
 - i. Pump: 1000 gpm, 100 psi pump with churn pressure of 115 psi
 - ii. Suction supply: 50 psi from city — minimum static; 60 psi from city — maximum static
 - iii. Jockey pump stop = 115 psi + 50 psi = 165 psi
 - iv. Jockey pump start = 165 psi - 10 psi = 155 psi
 - v. Fire pump stop = 115 psi + 50 psi = 165 psi
 - vi. Fire pump start = 155 psi - 5 psi = 150 psi
 - vii. Fire pump maximum churn = 115 psi + 60 psi = 175 psi
 - (g) Where minimum-run timers are provided, the pumps will continue to operate at churn pressure beyond the stop setting. The final pressures should not exceed the pressure rating of the system components.
- (5) *Automatic Recorder.* The performance of all fire pumps should be automatically indicated on a pressure recorder to provide a record of pump operation and assistance in fire loss investigation.

A.14.2.6.1 The test equipment should be furnished by either the authority having jurisdiction, the installing contractor, or the pump manufacturer, depending upon the prevailing arrangements made between the aforementioned parties. The equipment should include, but not necessarily be limited to, the following:

- (1) *Equipment for Use with Test Valve Header.* 50 ft (15 m) lengths of 2½ in. (65 mm) lined hose should be provided including Underwriters Laboratories' play pipe nozzles as needed to flow required volume of water. Where test meter is provided, however, these might not be needed.
- (2) *Instrumentation.* The following test instruments should be of high quality, accurate, and in good repair:
 - (a) Clamp-on volt/ammeter
 - (b) Test gauges
 - (c) Tachometer
 - (d) Pitot tube with gauge (for use with hose and nozzle)

Contractor's Material and Test Certificate for Fire Pump Systems	
<p>PROCEDURE Upon completion of work, inspection and tests shall be made by the contractor's representative and witnessed by an owner's representative. All defects shall be corrected and system left in service before contractor's personnel finally leave the job.</p> <p>A certificate shall be filled out and signed by both representatives. Copies shall be prepared for approving authorities, owners, and contractor. It is understood the owner's representative's signature in no way prejudices any claim against contractor for faulty material, poor workmanship, or failure to comply with approving authority's requirements or local ordinances.</p>	
PROPERTY NAME	DATE
PROPERTY ADDRESS	
PLANS	ACCEPTED BY APPROVING AUTHORITIES (NAMES)
	ADDRESS
	INSTALLATION CONFORMS TO ACCEPTED PLANS <input type="checkbox"/> YES <input type="checkbox"/> NO ALL EQUIPMENT USED IS APPROVED FOR FIRE SYSTEM SERVICE <input type="checkbox"/> YES <input type="checkbox"/> NO IF NO, STATE DEVIATIONS
INSTRUCTIONS	HAS PERSON IN CHARGE OF FIRE PUMP EQUIPMENT BEEN INSTRUCTED AS TO LOCATION OF SYSTEM CONTROL VALVES AND CARE AND MAINTENANCE OF THIS NEW EQUIPMENT? <input type="checkbox"/> YES <input type="checkbox"/> NO IF NO, EXPLAIN
	HAVE COPIES OF APPROPRIATE INSTRUCTIONS AND CARE AND MAINTENANCE CHARTS BEEN LEFT ON PREMISES? <input type="checkbox"/> YES <input type="checkbox"/> NO IF NO, EXPLAIN
LOCATION	SUPPLIES BUILDING(S) (CAMPUS, WAREHOUSE, HIGH RISE) EXPLAIN
PUMP ROOM EQUIPMENT	IS THE PUMP ROOM EQUIPMENT PER THE PLANS AND SPECS? <input type="checkbox"/> YES <input type="checkbox"/> NO IS THE FIRE PUMP PROPERLY MOUNTED AND ANCHORED TO THE FOUNDATION? <input type="checkbox"/> YES <input type="checkbox"/> NO IF NO, EXPLAIN
	IS THE FIRE PUMP BASE PROPERLY GROUTED? <input type="checkbox"/> YES <input type="checkbox"/> NO IF NO, EXPLAIN
	DOES THE PUMP ROOM HAVE THE PROPER FLOOR DRAINS? <input type="checkbox"/> YES <input type="checkbox"/> NO IF NO, EXPLAIN
	IS THE SUCTION AND DISCHARGE PIPING PROPERLY SUPPORTED? <input type="checkbox"/> YES <input type="checkbox"/> NO
	IS THE PUMP ROOM HEATED AND VENTILATED PER NFPA 20? <input type="checkbox"/> YES <input type="checkbox"/> NO
PIPES AND FITTINGS	PIPE TYPES AND CLASS
	PIPE CONFORMS TO _____ STANDARD <input type="checkbox"/> YES <input type="checkbox"/> NO FITTINGS CONFORM TO _____ STANDARD <input type="checkbox"/> YES <input type="checkbox"/> NO IF NO, EXPLAIN
	SUCTION AND DISCHARGE PIPING ANCHORED OR RESTRAINED?: <input type="checkbox"/> YES <input type="checkbox"/> NO
PRE-PACKAGED PUMP HOUSE	IS THIS A PACKAGE OR SKID MOUNTED PUMP? <input type="checkbox"/> YES <input type="checkbox"/> NO IS THE PACKAGE/SKID PROPERLY ANCHORED TO A CONCRETE FOUNDATION? <input type="checkbox"/> YES <input type="checkbox"/> NO IF NO, EXPLAIN
	IS THE STRUCTURAL FOUNDATION FRAME FILLED WITH CONCRETE TO FORM A FINISHED FLOOR? <input type="checkbox"/> YES <input type="checkbox"/> NO
	IS THERE A FLOOR DRAIN INSTALLED? <input type="checkbox"/> YES <input type="checkbox"/> NO
TEST DESCRIPTION	HYDROSTATIC: Hydrostatic tests shall be made at not less than 200 psi (13.8 bar) for 2 hours or 50 psi (3.4 bar) above static pressure in excess of 200 psi (13.8 bar) for 2 hours.
	HYDROSTATIC TEST: ALL NEW PIPING HYDROSTATICALLY TESTED AT: _____ PSI/BAR FOR _____ HOURS NO LEAKAGE ALLOWED
FLUSHING TESTS	FLUSHING: Flow the required rate until water is clear as indicated by no collection of foreign material in burlap bags at outlets such as hydrants and blowoffs. Flush at flows not less than 390 gpm (1476 L/min) for 4 in. pipe, 610 gpm (2309 L/min) for 5 in. pipe, 880 gpm (3331 L/min) for 6 in. pipe, 1560 gpm (5905 L/min) for 8 in. pipe, 2440 gpm (9235 L/min) for 10 in. pipe, and 3520 gpm (13,323 L/min) for 12 in. pipe. When supply cannot produce stipulated flow rates, obtain maximum available.
© 2012 National Fire Protection Association (NFPA 20, 1 of 2)	

FIGURE A.14.1.3(a) Sample of Contractor's Material Test Certificate for Fire Pump Systems.

FLUSHING TESTS <i>(continued)</i>	NEW PIPING FLUSHED ACCORDING TO _____ STANDARD <input type="checkbox"/> YES <input type="checkbox"/> NO BY (COMPANY) _____ IF NO, EXPLAIN		
	HOW FLUSHING FLOW WAS OBTAINED <input type="checkbox"/> PUBLIC WATER <input type="checkbox"/> TANK OR RESERVOIR <input type="checkbox"/> OTHER (EXPLAIN)	THROUGH WHAT TYPE OPENING <input type="checkbox"/> TEST HEADER <input type="checkbox"/> OPEN PIPE	
	LEAD-INS FLUSHED ACCORDING TO _____ STANDARD <input type="checkbox"/> YES <input type="checkbox"/> NO BY (COMPANY) _____ IF NO, EXPLAIN		
	HOW FLUSHING FLOW WAS OBTAINED <input type="checkbox"/> PUBLIC WATER <input type="checkbox"/> TANK OR RESERVOIR <input type="checkbox"/> OTHER (EXPLAIN)	THROUGH WHAT TYPE OPENING <input type="checkbox"/> Y CONNECTION TO FLANGE & SPIGOT <input type="checkbox"/> OPEN PIPE	
FIELD ACCEPTANCE TEST	ALL EQUIPMENT APPROVED? <input type="checkbox"/> YES <input type="checkbox"/> NO		
	ALL REQUIRED REPRESENTATIVES PRESENT FOR TEST <input type="checkbox"/> YES <input type="checkbox"/> NO		
	AHJ AND OWNER'S REPRESENTATIVE PRESENT FOR TEST <input type="checkbox"/> YES <input type="checkbox"/> NO IF NO, EXPLAIN		
	ALL ELECTRICAL WIRING COMPLETE AND PER NFPA 70 AND NFPA 20 <input type="checkbox"/> YES <input type="checkbox"/> NO IF NO, EXPLAIN		
	CALIBRATE TEST EQUIPMENT USED <input type="checkbox"/> YES <input type="checkbox"/> NO CALIBRATION DATE _____		
	FLOW TESTS PUMP DESIGN _____ GPM _____ PSI DOES THE PUMP MEET OR EXCEED THE CERTIFIED CURVE? <input type="checkbox"/> YES <input type="checkbox"/> NO PUMP TYPE <input type="checkbox"/> HORIZONTAL <input type="checkbox"/> VERTICAL TURBINE <input type="checkbox"/> OTHER		
	PUMP MAKE _____ MODEL # _____ SERIAL # _____		
	COMMENTS _____		
	ELECTRIC DRIVER OPERATIONAL TEST SATISFACTORY <input type="checkbox"/> YES <input type="checkbox"/> NO ELEC. DRIVER _____ MODEL # _____ SERIAL # _____		
	VOLTAGE _____ VAC @ _____ HP _____ RPM _____ FLA		
	ENGINE DRIVEN <input type="checkbox"/> YES <input type="checkbox"/> NO ENGINE MAKE _____ MODEL # _____ SERIAL # _____ _____ HP _____ RPM SPEED		
	DIESEL DRIVER OPERATIONAL TEST SATISFACTORY? <input type="checkbox"/> YES <input type="checkbox"/> NO OTHER EXPLAIN		
	CONTROLLER MAKE _____ MODEL # _____ SERIAL # _____		
	VARIABLE SPEED PRESSURE LIMITING CONTROL <input type="checkbox"/> YES <input type="checkbox"/> NO TESTED AT MINIMUM, RATED, AND PEAK FLOW <input type="checkbox"/> YES <input type="checkbox"/> NO CONTROLLER TEST: SIX AUTO STARTS <input type="checkbox"/> YES <input type="checkbox"/> NO SIX MANUAL STARTS <input type="checkbox"/> YES <input type="checkbox"/> NO PHASE REVERSAL TEST PERFORMED (ELECTRIC ONLY) <input type="checkbox"/> YES <input type="checkbox"/> NO ALTERNATE POWER SOURCE TESTED (ELECTRIC ONLY) <input type="checkbox"/> YES <input type="checkbox"/> NO ELECTRONIC FUEL MANAGEMENT (ECM) FUNCTION TEST PERFORMED (DIESEL ONLY) <input type="checkbox"/> YES <input type="checkbox"/> NO		
	CONTROL VALVES	SYSTEM CONTROL VALVES LEFT WIDE OPEN <input type="checkbox"/> YES <input type="checkbox"/> NO IF NO, STATE REASON	
HOSE THREADS OF FIRE DEPARTMENT CONNECTIONS AND HYDRANTS INTERCHANGEABLE WITH THOSE OF FIRE DEPARTMENT ANSWERING ALARM <input type="checkbox"/> YES <input type="checkbox"/> NO			
REMARKS	DATE LEFT IN SERVICE _____ ADDITIONAL COMMENTS:		
SIGNATURES	NAME OF INSTALLING CONTRACTOR		
	TESTS WITNESSED BY FOR PROPERTY OWNER (SIGNED)		TITLE
	FOR INSTALLING CONTRACTOR (SIGNED)		DATE
ADDITIONAL COMMENTS AND NOTES:			
© 2012 National Fire Protection Association (NFPA 20, 2 of 2)			

FIGURE A.14.1.3(a) *Continued*

Contractor's Material and Test Certificate for Private Fire Service Mains	
<p>PROCEDURE Upon completion of work, inspection and tests shall be made by the contractor's representative and witnessed by an owner's representative. All defects shall be corrected and system left in service before contractor's personnel finally leave the job.</p> <p>A certificate shall be filled out and signed by both representatives. Copies shall be prepared for approving authorities, owners, and contractor. It is understood the owner's representative's signature in no way prejudices any claim against contractor for faulty material, poor workmanship, or failure to comply with approving authority's requirements or local ordinances.</p>	
PROPERTY NAME	DATE
PROPERTY ADDRESS	
PLANS	ACCEPTED BY APPROVING AUTHORITIES (NAMES)
	ADDRESS
	INSTALLATION CONFORMS TO ACCEPTED PLANS <input type="checkbox"/> YES <input type="checkbox"/> NO EQUIPMENT USED IS APPROVED <input type="checkbox"/> YES <input type="checkbox"/> NO IF NO, STATE DEVIATIONS
INSTRUCTIONS	HAS PERSON IN CHARGE OF FIRE EQUIPMENT BEEN INSTRUCTED AS TO LOCATION OF CONTROL VALVES AND CARE AND MAINTENANCE OF THIS NEW EQUIPMENT? <input type="checkbox"/> YES <input type="checkbox"/> NO IF NO, EXPLAIN
	HAVE COPIES OF APPROPRIATE INSTRUCTIONS AND CARE AND MAINTENANCE CHARTS BEEN LEFT ON PREMISES? <input type="checkbox"/> YES <input type="checkbox"/> NO IF NO, EXPLAIN
LOCATION	SUPPLIES BUILDINGS
PIPES AND JOINTS	PIPE TYPES AND CLASS _____ TYPE JOINT _____ PIPE CONFORMS TO _____ STANDARD <input type="checkbox"/> YES <input type="checkbox"/> NO FITTINGS CONFORM TO _____ STANDARD <input type="checkbox"/> YES <input type="checkbox"/> NO IF NO, EXPLAIN
	BURIED JOINTS NEEDING ANCHORAGE CLAMPED, STRAPPED, OR BLOCKED IN ACCORDANCE WITH _____ STANDARD <input type="checkbox"/> YES <input type="checkbox"/> NO IF NO, EXPLAIN
	FLUSHING: Flow the required rate until water is clear as indicated by no collection of foreign material in burlap bags at outlets such as hydrants and blowoffs. Flush at flows not less than 390 gpm (1476 L/min) for 4 in. pipe, 610 gpm (2309 L/min) for 5 in. pipe, 880 gpm (3331 L/min) for 6 in. pipe, 1560 gpm (5905 L/min) for 8 in. pipe, 2440 gpm (9235 L/min) for 10 in. pipe, and 3520 gpm (13323 L/min) for 12 in. pipe. When supply cannot produce stipulated flow rates, obtain maximum available. HYDROSTATIC: Hydrostatic tests shall be made at not less than 200 psi (13.8 bar) for 2 hours or 50 psi (3.4 bar) above static pressure in excess of 150 psi (10.3 bar) for 2 hours. LEAKAGE: New pipe laid with rubber gasketed joints shall, if the workmanship is satisfactory, have little or no leakage at the joints. The amount of leakage at the joints shall not exceed 2 qt/hr (1.89 L/hr) per 100 joints irrespective of pipe diameter. The amount of allowable leakage specified above can be increased by 1 fl oz per inch valve diameter per hour (30 mL/25 mm/hr) for each metal seated valve isolating the test section. If dry barrel hydrants are tested with the main valve open, so the hydrants are under pressure, an additional 5 oz per minute (150 mL/min) leakage is permitted for each hydrant.
FLUSHING TESTS	NEW PIPING FLUSHED ACCORDING TO _____ STANDARD <input type="checkbox"/> YES <input type="checkbox"/> NO BY (COMPANY) IF NO, EXPLAIN
	HOW FLUSHING FLOW WAS OBTAINED <input type="checkbox"/> PUBLIC WATER <input type="checkbox"/> TANK OR RESERVOIR <input type="checkbox"/> FIRE PUMP
	THROUGH WHAT TYPE OPENING <input type="checkbox"/> HYDRANT BUTT <input type="checkbox"/> OPEN PIPE
	LEAD-INS FLUSHED ACCORDING TO _____ STANDARD <input type="checkbox"/> YES <input type="checkbox"/> NO BY (COMPANY) IF NO, EXPLAIN
HOW FLUSHING FLOW WAS OBTAINED <input type="checkbox"/> PUBLIC WATER <input type="checkbox"/> TANK OR RESERVOIR <input type="checkbox"/> FIRE PUMP	
THROUGH WHAT TYPE OPENING <input type="checkbox"/> Y CONNECTION TO FLANGE & SPIGOT <input type="checkbox"/> OPEN PIPE	
© 2012 National Fire Protection Association (NFPA 20, 1 of 2)	

FIGURE A.14.1.3(b) Sample of Contractor's Material and Test Certificate for Private Fire Service Mains.

HYDROSTATIC TEST	ALL NEW PIPING HYDROSTATICALLY TESTED AT _____ PSI FOR _____ HOURS		BURIED JOINTS COVERED <input type="checkbox"/> YES <input type="checkbox"/> NO
LEAKAGE TEST	TOTAL AMOUNT OF LEAKAGE MEASURED _____ GALLONS _____ HOURS		NO LEAKAGE ALLOWED FOR VISIBLE JOINTS
	ALLOWABLE LEAKAGE (BURIED) _____ GALLONS _____ HOURS		NO LEAKAGE ALLOWED FOR VISIBLE JOINTS
HYDRANTS	NUMBER INSTALLED	TYPE AND MAKE	ALL OPERATE SATISFACTORILY <input type="checkbox"/> YES <input type="checkbox"/> NO
CONTROL VALVES	WATER CONTROL VALVES LEFT WIDE OPEN IF NO, STATE REASON		<input type="checkbox"/> YES <input type="checkbox"/> NO
	HOSE THREADS OF FIRE DEPARTMENT CONNECTIONS AND HYDRANTS INTERCHANGEABLE WITH THOSE OF FIRE DEPARTMENT ANSWERING ALARM		<input type="checkbox"/> YES <input type="checkbox"/> NO
REMARKS	DATE LEFT IN SERVICE _____		
	ADDITIONAL COMMENTS: _____		
SIGNATURES	NAME OF INSTALLING CONTRACTOR		
	TESTS WITNESSED BY		
	FOR PROPERTY OWNER (SIGNED)	TITLE	DATE
	FOR INSTALLING CONTRACTOR (SIGNED)	TITLE	DATE
ADDITIONAL EXPLANATION AND NOTES			
© 2012 National Fire Protection Association			(NFPA 20, 2 of 2)

FIGURE A.14.1.3(b) *Continued*

- (3) *Instrumentation Calibration.* All test instrumentation should be calibrated by an approved testing and calibration facility within the 12 months prior to the test. Calibration documentation should be available for review by the authority having jurisdiction.

A majority of the test equipment used for acceptance and annual testing has never been calibrated. This equipment can have errors of 15 to 30 percent in readings. The use of uncalibrated test equipment can lead to inaccurately reported test results.

While it is desirable to achieve a true churn condition (no flow) during the test for comparison to the manufacturer's certified pump test characteristic curve, it might not be possible in all circumstances. Pumps with circulation relief valves will discharge a small amount of water, even when no water is flowing into the fire protection system. The small discharge through the circulation relief valve should not be shut off during the test since it is necessary to keep the pump from overheating. For pumps with circulation relief valves, the minimum flow condition in the test is expected to be the situation where no water is flowing to the fire protection system but a small flow is present through the circulation relief valve. During a test on a pump with a pressure relief valve, the pressure relief valve should not open because these valves are installed purely as a safety precaution to prevent overpressurization during overspeed conditions.

Overspeed conditions should not be present during the test, so the pressure relief valve should not open. When pressure relief valves are installed on systems to relieve pressure under normal operating conditions, and if a true churn condition is desired during the acceptance test, the system discharge valve can be closed and the pressure relief valve can be adjusted to eliminate the flow. The pressure readings can be quickly noted and the pressure relief valve adjusted again to allow flow and relief of pressure. After this one-time test, a reference net pressure can be noted with the relief valve open so that the relief valve can remain open during subsequent annual tests with the comparison back to the reference residual net pressure rather than the manufacturer's curve.

A.14.2.6.2.2 Vibration in excess of limits in the *Hydraulic Institute Standards for Centrifugal Rotary and Reciprocating Pumps* [See ANSI/HI 9.6.4, *Rotodynamic (Centrifugal and Vertical) Pumps for Vibration Measurement and Allowable Values*], could pose potential damage to the fire pump. Some of the areas of vibration concern can usually be attributed to a number of items.

Examples of causes of vibration concerns are as follows:

- (1) Bearing, due to lack of lubrication
- (2) Impeller vibrations due to debris in impeller, due to poor flushing
- (3) Foundation concerns due to poorly designed and installed foundations

- (4) Lack of proper grouting of the pump base and foundation
- (5) Main drive couplings require the proper alignment of the driver and the pump shaft

A.14.2.6.5 A sample procedure is as follows:

- (1) Make a visual check of the unit. If hose and nozzles are used, see that they are securely tied down. See that the hose valves are closed. If a test meter is used, the valve on the discharge side of the meter should be closed.
- (2) Start the pump.
- (3) Partially open one or two hose valves, or slightly open the meter discharge valve.
- (4) Check the general operation of the unit. Watch for vibration, leaks (oil or water), unusual noises, and general operation. Adjust packing glands.
- (5) Measure water discharge. The steps to do so are as follows:
 - (a) Where a test valve header is used, regulate the discharge by means of the hose valves and a selection of the nozzle tips. It will be noticed that the play pipe has a removable tip. This tip has a 1/8 in. (28.6 mm) nozzle, and when the tip is removed, the play pipe has a 3/4 in. (44.4 mm) nozzle. Hose valves should be shut off before removing or putting on the 1/8 in. (28.6 mm) tip.
 - (b) Where a test meter is used, regulate the discharge valve to achieve various flow readings.
 - (c) Important test points are at 150 percent rated capacity, rated capacity, and shutoff. Intermediate points can be taken if desired to help develop the performance curve.
- (6) Record the following data at each test point [see the sample form shown in Figure A.14.2.6.5(a)]:
 - (a) Pump rpm
 - (b) Suction pressure
 - (c) Discharge pressure
 - (d) Number and size of hose nozzles, pitot pressure for each nozzle, and total gpm (L/min); for test meter, simply a record of gpm (L/min)
 - (e) Amperes (each phase for electric motor-driven pump)
 - (f) Volts (phase to phase for electric motor-driven pump)
 - (g) Engine back pressure (for diesel engine drive pump)
 - (h) Oil pressure (for diesel engine drive pump)
 - (i) Cooling loop water pressure (for diesel engine drive pump)
 - (j) Engine temperature (for diesel engine drive pump)
 - (k) Steam pressure (for steam drive pump)
- (7) Evaluate test results as follows:
 - (a) *Discharge Flow and Pressure.* Verify that the discharge flow and pressure is adequate to supply the fire protection demand.
 - (b) *Rated Speed.* Verify whether the pump is operating at or close to rated rpm. Pump speeds that vary significantly from the original pump design speed(s) should be investigated and corrected.
 - (c) *Capacity.* For the hose valve header, using appropriate formulas or a fire stream table that matches the orifice characteristics, determine the gpm (L/min)

for each nozzle at each pitot reading. For example, 16 psi (1.1 bar) pitot pressure with 1/4 in. (44.4 mm) nozzle with a coefficient of 0.975 indicates 356 gpm (1348 L/min). Add the gpm for each hose line to determine total volume. For the test meter, the total gpm (L/min) is read directly. The formula for calculating a flow from a pitot pressure is:

Flow:

[A.14.2.6.5a]

$$Q = 29.83CD^2P^{0.5}$$

where:

Q = flow through the orifice in gpm

C = orifice discharge coefficient

D = orifice diameter in inches

P = pitot pressure in inches

- (d) *Total Head for Horizontal Pump.* Total head is the sum of the following:
 - i. Pressure measured by the discharge gauge at pump discharge flange
 - ii. Velocity head difference, pump discharge, and pump suction
 - iii. Gauge elevation corrections to pump centerline (plus or minus)
 - iv. Pressure measured by suction gauge at pump suction flange — negative value when pressure is above 0
- (e) *Total Head for Vertical Pump.* Total head is the sum of the following:
 - i. Pressure measured by the discharge gauge at pump discharge flange
 - ii. Velocity head at the discharge flange
 - iii. Distance to the supply water level
 - iv. Discharge gauge elevation correction to centerline of discharge
- (f) *Electrical Input.* Voltage and amperes are read directly from the volt/ammeter. This reading is compared to the motor nameplate full-load amperes. The only general calculation is to determine the maximum amperes allowed due to the motor service factor. In the case of 1.15 service factor, the maximum amperes are approximately 1.15 times motor amperes, because changes in power factor and efficiency are not considered. If the maximum amperes recorded on the test do not exceed this figure, the motor and pump will be judged satisfactory. It is most important to measure voltage and amperes accurately on each phase should the maximum amperes logged on the test exceed the calculated maximum amperes. This measurement is important because a poor power supply with low voltage will cause a high ampere reading. This condition can be corrected only by improvement in the power supply. There is nothing that can be done to the motor or the pump.
- (g) *Correction to Rated Speed.* For purposes of evaluation and plotting, the capacity, head, and power should be corrected from the test values at test speed to the rated speed of the pump. The corrections are made as follows.

Capacity:

[A.14.2.6.5b]

$$Q_2 = \left(\frac{N_2}{N_1} \right) Q_1$$

where:

Q_1 = capacity at test speed in gpm (L/min)

Q_2 = capacity at rated speed in gpm (L/min)

N_1 = test speed in rpm

N_2 = rated speed in rpm

Head:

[A.14.2.6.5c]

$$H_2 = \left(\frac{N_2}{N_1} \right)^2 H_1$$

where:

H_1 = head at test speed in ft (m)

H_2 = head at rated speed in ft (m)

Horsepower:

[A.14.2.6.5d]

$$hp_2 = \left(\frac{N_2}{N_1} \right)^3 hp_1$$

where:

hp_1 = kW (horsepower) at test speed

hp_2 = kW (horsepower) at rated speed

- (h) In general, a head-capacity curve [see Figure A.14.2.6.5(b) and Figure A.14.2.6.5(c)] and an ampere-capacity curve [see Figure A.14.2.6.5(d)] should be plotted. A study of these curves will show the performance picture of the pump as it was tested.
- (i) The final step of the evaluation is to document and notify the appropriate authorities of the fire pump status, which includes whether the fire pump passed or failed, if the fire pump was left in service, and any issues that were identified. Any outstanding issues should be addressed and a retest scheduled if necessary.

A.14.2.6.5.5 The phrase “varying voltage” applies when the measurement of motor current is at a voltage above or below the motor rated voltage. This is because the motor running current varies inversely with the voltage applied to the motor, but the product is fairly constant (except for the secondary effect of the out-of-phase magnetizing currents and minor core loss current.) For example, a 460 Vac motor running at rated horsepower and rated at 100 FLA will draw 79.7 kW electrical power (ignoring losses), that is, $460 \times 100 \times 1.732$. The product of (average of the three phases) voltage and current will be a constant with moderate changes in the line voltage. In the previous example, the rated volts \times amps (VA) product equals 46,000. At 480 V, the current drawn will be 95.6 amps (46,000/480). The current draw at 437 V (460 – 5%) would be 105.3 amps.

Another method is to adjust the rated current by the inverse ratio of rated voltage to actual running voltage. For example, $100 \times 460/480 = 95.8$ and $100 \times 460/437 = 105.3$. Also, the motor service factor (1.15) applies to fixed speed installations, but not variable speed applications (1.0). Hence, for a fixed speed installation, the example shown here is allowed to have a maximum current on any phase of 115 amps at 460 Vac or 110.2 amps at 480 V or 121 amps at 437 Vac.

A.14.2.6.7 A simulated test of the phase reversal device is an acceptable test method.

A.14.2.7.1 All controller starts required for tests described in 14.2.6 through 14.2.9 should accrue respectively to this number of tests.

A.14.2.11 It is not the intent to discharge water for the full 1-hour test duration, provided all flow tests can be conducted in less time and efforts are taken to prevent the pump from overheating.

A.14.2.12 To verify the operation of the alternate ECM, with the motor stopped, move the ECM selector switch to the alternate ECM position. Repositioning of the selector switch should cause a signal on the fire pump controller. Start the engine; it should operate normally with all functions. Shut engine down, switch back to the primary ECM, and restart the engine briefly to verify that correct switchback has been accomplished.

To verify the operation of the redundant sensor, with the engine running, disconnect the wires from the primary sensor. There should be no change in the engine operation. Reconnect the wires to the sensor. Next, disconnect the wires from the redundant sensor. There should be no change in the engine operation. Reconnect the wires to the sensor. Repeat this process for all primary and redundant sensors on the engines. *Note:* If desired, the disconnecting and reconnecting of wires to the sensors can be done while the engine is not running, then starting the engine after each disconnection and reconnection of the wires to verify engine operation.

A.14.3 It is the intent to retain the record drawing, equipment manual, and completed test report for the life of the fire pump system.

A.14.3.3 Consideration should be given to stocking spare parts for critical items not readily available.

A.14.3.4(6) Recommended spare parts and lubricants should be stored on-site to minimize system impairment.

A.14.5.2.3 Fire pump engines have unique features compared to standard industrial engines. The standard industrial ECM programming can result in the reduction of power to self-protect the engine during a fire or the inability to accelerate the pump to rated speed in rated flow condition.

Sample Centrifugal Fire Pump Acceptance Test Form

Information on this form covers the minimum requirements of NFPA 20 for performing acceptance tests on centrifugal fire pumps with electric motor or diesel engine drivers. A separate form is required for each pump operating simultaneously. This form does not cover periodic inspection, testing, and maintenance required by NFPA 25.



Owner: _____

Owner's address: _____

Pump location: _____

Property address: _____

Date of test: _____

Maximum demand(s) of fire protection system(s) _____ gpm at _____ psi for _____ minutes at fire pump discharge.

System demand information supplied by: _____

Pump type: Horizontal Vertical Inline Other (specify) _____

Manufacturer: _____ Model or type: _____ Shop/Serial number _____

Pump rated for _____ gpm at _____ psi at _____ RPM, net discharge pressure _____ psi at 150% _____ psi at churn

Pump suction size _____ in., discharge size _____ in., suction from _____

If suction from tank, tank diameter _____ ft, height _____ ft, net capacity _____ gpm

Driver: _____ Electric motor _____ Diesel engine _____ Steam turbine

Manufacturer: _____ Shop/Serial number: _____ Model or type: _____

Rated horsepower: _____ Rated speed: _____ If electric motor, rated voltage _____ Operating voltage _____

Rated amps _____ Phase cycles _____ Service factor _____

Controller manufacturer: _____

Shop/Serial number: _____ Model or type: _____

Controller rated _____ HP _____ VAC

Does controller rated HP & VAC match motor? Yes No

Transfer switch? Yes No

Transfer switch rated _____ HP _____ VAC

Does controller rate HP & VAC match motor? Yes No N/A

Pressure maintenance (jockey) pump on system? Yes No Manual Automatic

Manufacturer: _____ Shop/Serial number: _____

Model or type: _____ Centrifugal or Positive displacement?

Pressure relief valve provided on jockey pump discharge? Yes No N/A

Jockey pump rated for _____ gpm at _____ psi at _____ RPM _____ HP

Jockey pump suction size _____ in., discharge size _____ in.

Jockey pump controller manufacturer: _____

Shop/Serial number: _____ Model or type: _____

Jockey pump controller rated _____ HP _____ VAC

Does jockey pump controller rated HP & VAC match motor? Yes No

Note: All blanks are to be filled in. All questions are to be answered Yes, No, or Not Applicable.

All "No" answers are to be explained in the comments portion of this form.

I. Flush Test (Table 14.1.1.1 — Conduct before hydrostatic test)

A. Suction supply from ground level storage tank or reservoir Yes N/A

B. Suction piping was flushed at _____ gpm? (See Table 14.1.1.1) Yes No N/A

C. Was pipe from tank discharge to pump suction visually inspected? Yes No N/A

D. Copy of Contractor's Material and Test Certificate for

Underground Piping attached? [See Figures A.14.1.3(c) and A.14.1.3(d)] Yes No N/A

II. Hydrostatic Test (14.1.2)

A. Maximum pump discharge pressure at rated speed and nonflow (churn) condition _____ psi

B. Piping tested at _____ psi for 2 hours? Yes No N/A

C. Piping passed test? Yes No N/A

D. Copy of Contractor's Material and Test Certificate for

Fire Pump Systems attached? [See Figures A.14.1.3(a) and A.14.1.3(b)] Yes No N/A

III. People Present (14.2.1)

Were the following present to witness the test:

A. Pump manufacturer/representative? Yes No

B. Engine manufacturer/representative? Yes No N/A

C. Controller manufacturer/representative? Yes No

D. Transfer switch manufacturer/representative? Yes No N/A

E. Authority having jurisdiction/representative? Yes No

F. Owner or owner's representative? Yes No

FIGURE A.14.2.6.5(a) Centrifugal Fire Pump Acceptance Test Form.

IV. Electric Wiring

A. Was all electric wiring including control interwiring for multiple pumps emergency power supply and the jockey pump completed and checked by the electrical contractor prior to the initial start-up and acceptance test? Yes No N/A

V. Flow Test

- A. Is a copy of the manufacturer’s certified pump test curve attached? Yes No
- B. Test results compared to the manufacturer’s certified pump test curve? Yes No
- C. Gauges and other test equipment calibrated? Yes No
- D. No vibrations that could potentially damage any fire pump component? Yes No N/A
- E. The fire pump performed at all conditions without objectionable overheating of any component? ... Yes No N/A
- F. For each test, record the required information for each load condition using the following formulas (or other acceptable methods) and tables:

$$P_{Net} = P_{Discharge} - P_{Suction}$$

$$Q = 29.83 cd^2 P^{0.5}$$

$$Pv = 0.43352V^2 / (2g) = (Q^2) / (890.47D^4)$$

Where

- P_{Net} = Net pump pressure (psi)
- $P_{Discharge}$ = Total pressure at the pump discharge (psi)
- $P_{Suction}$ = Total pressure at the pump suction (psi)
- Q = Flow through a circular orifice (gpm)
- c = Nozzle discharge coefficient
- d = Nozzle orifice diameter (in.)
- P = Pressure measured on gauge (pitot)
- Pv = Velocity pressure (psi)
- V = Velocity of liquid (ft/sec)
- g = Gravitational constant (32.174 ft/sec)
- D = Internal pipe diameter (in.)

Test	Pump speed (rpm)	Suction pressure (psi)	Discharge pressure (psi)	Nozzle size (in.) _____ Nozzle coef. _____						Flow (gpm)	Net pressure (psi)	Rpm adjusted net pressure	Rpm adjusted flow (psi)	Suction velocity pressure (psi) ¹	Discharge velocity pressure (psi) ¹	Velocity adjusted pressure (psi) ¹	Oil pressure (psi) ²	Exhaust back pressure (in. Hg) ²	Diesel water temperature ²	Cooling loop pressure (psi) ²
				Pitot readings (psi)																
				1	2	3	4	5	6											
0%																				
25%																				
50%																				
75%																				
100%																				
125%																				
150%																				
0%																				
100%																				
150%																				

Pump is Constant speed Variable speed

Notes:

¹Velocity pressure adjustments provide a more accurate analysis in most cases and as a minimum should be included whenever the pump suction and discharge diameters are different and the pump fails by a narrow margin. The actual internal diameter of the pump suction and discharge should be obtained from the manufacturer.

²These readings are applicable to diesel engine pumps only. Recording these readings is not specifically required in Chapter 14.

For electric motor-driven pumps also record:

Test	Voltage			Amperes		
	L1-L2	L2-L3	L1-L3	L1	L2	L3
0%						
25%						
50%						
75%						
100%						
125%						
150%						
0%						
100%						
150%						

G. For electric motors operating at rated voltage and frequency, is the ampere demand less than or equal to the product of the full load ampere rating times the allowable service factor as stamped on the motor name plate? Yes No N/A

FIGURE A.14.2.6.5(a) *Continued*

- H. For electric motors operating under varying voltage:
 - 1. Was the product of the actual voltage and current demand less than or equal to the product of the rated full load current times the rated voltage times the allowable service factor? Yes No N/A
 - 2. Was the voltage always less than 5% above the rated voltage during the test? Yes No N/A
 - 3. Was the voltage always less than 10% above the rated voltage during the test? Yes No N/A
- I. Did engine-driven units operate without any signs of overload or stress? Yes No N/A
- J. Was the engine overspeed emergency shutdown tested? Yes No N/A
- K. Was the governor set to properly regulate the engine speed at rated pump speed? Yes No N/A
- L. Did the gear drive assembly operate without excessive objectionable noise, vibration, or heating? Yes No N/A
- M. Was the fire pump unit started and brought up to rated speed without interruption under the conditions of a discharge equal to peak load? Yes No N/A
- N. Did the fire pump performance equal the manufacturer's factory curve within the accuracy limits of the test equipment? Yes No N/A
- O. Did the electric motor pumps pass phase reversal test on normal and alternate (if provided) power? Yes No N/A

VI. Multiple Pump Operation

- A. _____ fire pumps are required to operate in series in parallel N/A to meet the maximum fire protection demand.
- B. Record the following information for each of the _____ pumps operating simultaneously.

Test	Pump speed (rpm)	Suction pressure (psi)	Discharge pressure (psi)	Nozzle size (in.) _____ Nozzle coef. _____												Net pressure (psi)	Total flow (gpm)	Flow through this pump (gpm)	Rpm adjusted net pressure	RPM adjusted flow (psi)	Suction velocity pressure (psi)	Suction velocity pressure (psi)	Velocity adjusted net pressure (psi)
				Pitot readings (psi)																			
				1	2	3	4	5	6	7	8	9	10	11	12								
0%																							
25%																							
50%																							
75%																							
100%																							
125%																							
150%																							
0%																							
100%																							
150%																							

Pump is Constant speed Variable speed

- C. Did the fire pump performance equal the manufacturer's factory curve within the accuracy limits of the test equipment during the multiple test? Yes No N/A

VII. Main Pressure Relief Valve

- A. Is a main pressure relief valve installed on the fire pump discharge? Yes No
- B. During variable speed performance testing, what was the flow rate through the main pressure relief valve at churn? No flow Weeping flow More than weeping flow Substantial flow N/A
- C. During variable speed performance testing, what was the flow rate through the main pressure relief valve at rated flow? No flow Weeping flow More than weeping flow Substantial flow N/A
- D. During constant speed performance testing, what was the flow rate through the main pressure relief valve at churn? No flow Weeping flow More than weeping flow Substantial flow N/A
- E. During constant speed performance testing, what was the flow rate through the main pressure relief valve at rated flow? No flow Weeping flow More than weeping flow Substantial flow N/A
- F. After resetting the pressure relief valve after performance testing, under variable speed operation, what was the flow rate through the main pressure relief valve at churn? No flow Weeping flow More than weeping flow Substantial flow N/A
- G. After resetting the pressure relief valve after performance testing, under constant speed operation, what was the flow rate through the main pressure relief valve at churn? No flow Weeping flow More than weeping flow Substantial flow N/A
What was the fire pump discharge pressure? _____ psi.
- H. After resetting the pressure relief valve after performance testing, under constant speed operation, at what flow rate did the pressure relief valve substantially close? _____ gpm. What was the fire pump discharge pressure when the pressure relief valve was substantially closed? _____ psi.
- I. Is the maximum discharge pressure adjusted for elevation, and with the pressure relief operational, less than the pressure rating of the system components for elevation? Yes No N/A

VIII. Controller Test

- A. Did the pump start at least 6 times from automatic sources? Yes No N/A
- B. Was each automatic starting feature tested at least once? Yes No N/A
- C. Did the pump start at least 6 times manually? Yes No N/A
- D. Was the pump run for at least 5 minutes during each of the operations in Parts A, B, and C above? Yes No N/A
(Note: An engine driver is not required to run for 5 minutes at full speed between successive starts until the cumulative cranking time of successive starts reaches 45 seconds.)
- E. Were the starting operations divided between both sets of batteries for engine-driven controllers? Yes No N/A

FIGURE A.14.2.6.5(a) *Continued*

- F. Were both ECMs tested if supported? Yes No N/A
 - G. Was the engine tested and rpm set on both ECMs at rated flow and full load? Yes No N/A
 - H. Were all alarm functions including ECM alarms for fuel injection failure, low fuel pressure, and any primary sensor failure tested at the engine? Yes No N/A
 - I. Electric Driven Pump Controllers
 - 1. Were all overcurrent protective devices (including the controller circuit breaker) selected, sized, and set in accordance with NFPA 20?..... Yes No N/A
 - 2. Was the fire pump started at least once from each power service and run for at least 5 minutes? Yes No N/A
 - 3. Upon simulation of a power failure, while the pump is operating at peak load, did the transfer switch transfer from the normal to the emergency source without opening overcurrent protection devices on either line? Yes No N/A
 - 4. When normal power was restored, did retransfer from emergency to normal power occur without overcurrent protection devices opening on either line? Yes No N/A
 - 5. Were at least half of the automatic and manual starts required by Parts A and C performed with the pump connected to the alternate source? Yes No N/A
 - J. Were all signal conditions simulated demonstrating satisfactory operation? Yes No N/A
 - K. Did the pump run for at least 1 hour during the tests? Yes No N/A
- NOTE: Run time includes all time the driver was turning the impeller — i.e., no-flow and flow conditions.

IX. Water Storage Tank Yes No

- A. Tank capacity _____ gallons, height _____ ft, diameter _____ ft
- B. Break tank Yes No N/A Required break tank fill rate _____ gpm N/A
- C. Did refill rate maintain tank level when flowing 150% of rated capacity? Yes No N/A
- D. A water refill rate of _____ gpm was: field verified by flowing _____ gpm through the fire pump with a starting water level of _____ ft _____ in. and an ending water level of _____ ft _____ in. after flowing for _____ minutes, field verified by raising the water level from _____ ft _____ in. to _____ ft _____ in. in _____ minutes, field verified by other means (specify) _____
- E. Was the automatic refill assembly operated a minimum of 5 times? Yes No N/A

X. Test Evaluation

- A. Did the pump performance equal that indicated on the manufacturer’s certified shop test under all load conditions? Yes No
- B. Did the pump discharge equal or exceed the maximum fire protection system demand? Yes No
- C. Did the pump installation and performance meet the requirements of NFPA 20?..... Yes No

XI. Tester Information

Tester: _____
 Company: _____
 Company address: _____

I state that the information on this form is correct at the time and place of my test, and that all equipment tested was left in operational condition upon completion of this test except as noted in the comments section below.

Signature of tester: _____ Date: _____ License or certification number if applicable: _____

XII. Comments (Any “No” answers, test failures, or other problems must be explained — use additional sheets if necessary.)

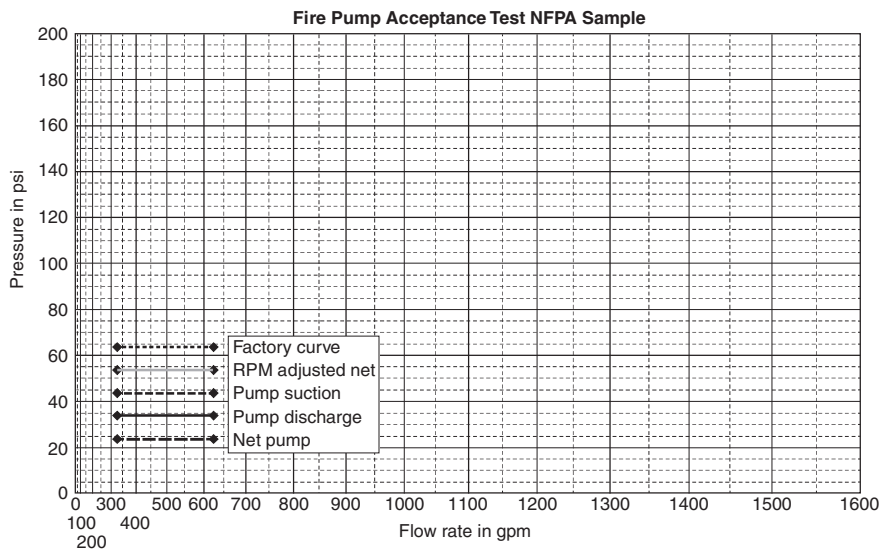


FIGURE A.14.2.6.5(a) Continued

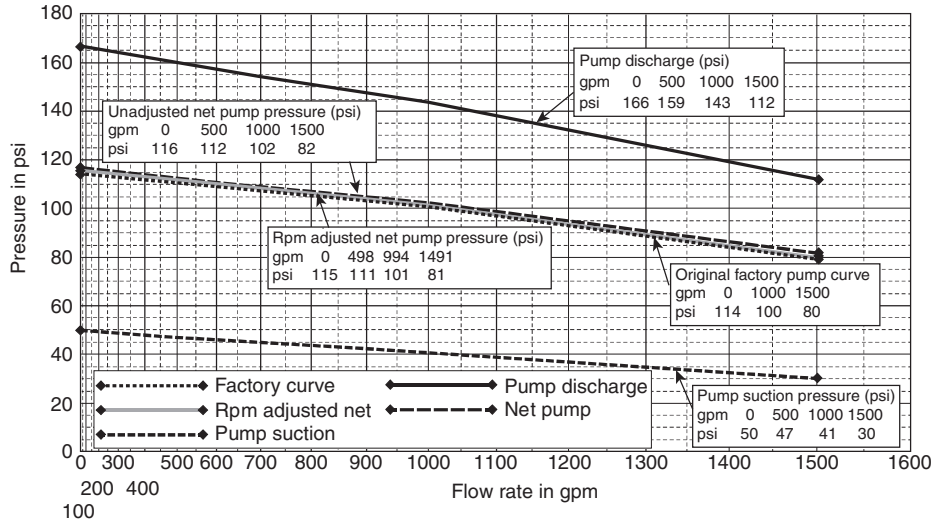


FIGURE A.14.2.6.5(b) 1000 gpm at 100 psi Fire Pump Acceptance Test – Constant Speed Operation.

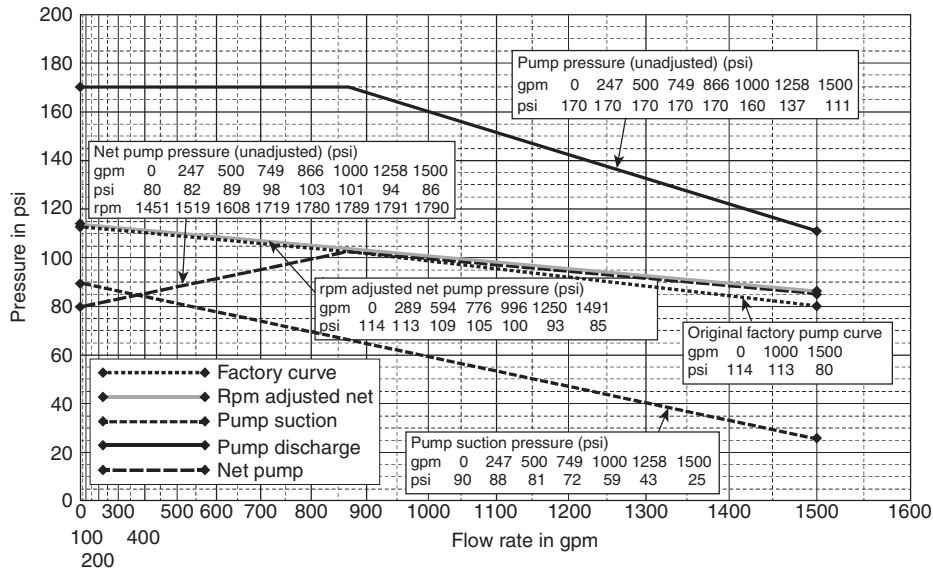


FIGURE A.14.2.6.5(c) Variable Speed Fire Pump Acceptance Test – Variable Speed Operation 1000 gpm at 100 psi Fire Pump.

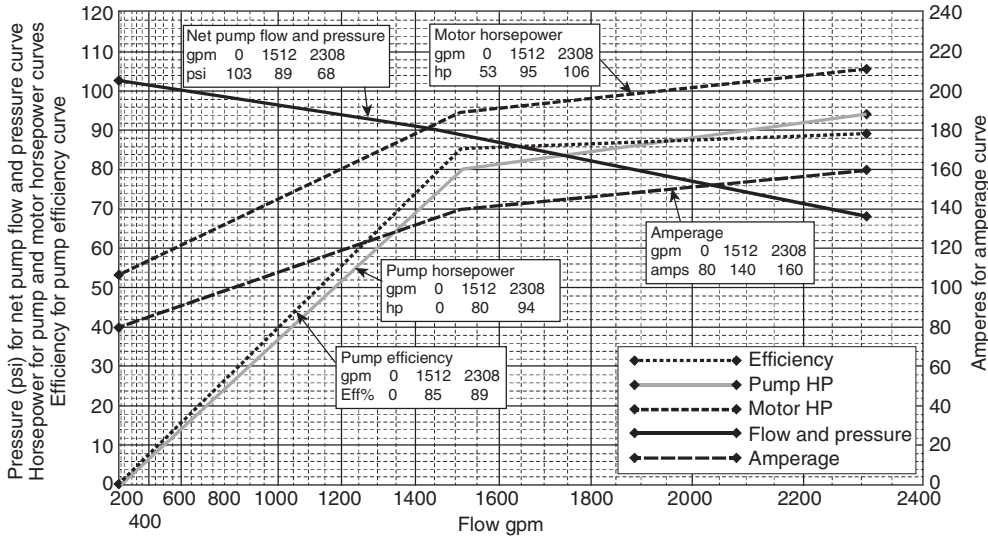


FIGURE A.14.2.6.5(d) Horsepower and Amperage Sample Curve – Underperforming 1500 gpm at 105 psi Fire Pump.

Annex B Possible Causes of Pump Troubles

This annex is not a part of the requirements of this NFPA document but is included for informational purposes only.

B.1 Causes of Pump Troubles. This annex contains a partial guide for locating pump troubles and their possible causes (see Figure B.1). It also contains a partial list of suggested remedies. (For other information on this subject, see *Hydraulic Institute Standards for Centrifugal, Rotary and Reciprocating Pumps.*)

The causes listed here are in addition to possible mechanical breakage that would be obvious on visual inspection. In case of trouble, it is suggested that those troubles that can be checked easily should be corrected first or eliminated as possibilities.

B.1.1 Air Drawn into Suction Connection Through Leak(s). Air drawn into suction line through leaks causes a pump to lose suction or fail to maintain its discharge pressure. Uncover suction pipe and locate and repair leak(s).

B.1.2 Suction Connection Obstructed. Examine suction intake, screen, and suction pipe and remove obstruction. Repair or provide screens to prevent recurrence. (See 4.15.8.)

B.1.3 Air Pocket in Suction Pipe. Air pockets cause a reduction in delivery and pressure similar to an obstructed pipe. Uncover suction pipe and rearrange to eliminate pocket. (See 4.15.6.)

B.1.4 Well Collapsed or Serious Misalignment. Consult a reliable well drilling company and the pump manufacturer regarding recommended repairs.

B.1.5 Stuffing Box Too Tight or Packing Improperly Installed, Worn, Defective, Too Tight, or of Incorrect Type. Loosen gland swing bolts and remove stuffing box gland halves. Replace packing.

B.1.6 Water Seal or Pipe to Seal Obstructed. Loosen gland swing bolt and remove stuffing box gland halves along with the water seal ring and packing. Clean the water passage to and in the water seal ring. Replace water seal ring, packing gland, and packing in accordance with manufacturer's instructions.

B.1.7 Air Leak into Pump Through Stuffing Boxes. Same as the possible cause in B.1.6.

B.1.8 Impeller Obstructed. Does not show on any one instrument, but pressures fall off rapidly when an attempt is made to draw a large amount of water.

For horizontal split-case pumps, remove upper case of pump and remove obstruction from impeller. Repair or provide screens on suction intake to prevent recurrence.

For vertical shaft turbine-type pumps, lift out column pipe (see Figure A.7.2.2.1 and Figure A.7.2.2.2) and pump bowls from wet pit or well and disassemble pump bowl to remove obstruction from impeller.

For close-coupled, vertical in-line pumps, lift motor on top pull-out design and remove obstruction from impeller.

B.1.9 Wearing Rings Worn. Remove upper case and insert feeler gauge between case wearing ring and impeller wearing ring. Clearance when new is 0.0075 in. (0.19 mm). Clearances of more than 0.015 in. (0.38 mm) are excessive.

B.1.10 Impeller Damaged. Make minor repairs or return to manufacturer for replacement. If defect is not too serious, order new impeller and use damaged one until replacement arrives.

B.1.11 Wrong Diameter Impeller. Replace with impeller of proper diameter.

B.1.12 Actual Net Head Lower than Rated. Check impeller diameter and number and pump model number to make sure correct head curve is being used.

B.1.13 Casing Gasket Defective, Permitting Internal Leakage (Single-Stage and Multistage Pumps). Replace defective gasket. Check manufacturer's drawing to see whether gasket is required.

B.1.14 Pressure Gauge Is on Top of Pump Casing. Place gauges in correct location. [See Figure A.6.3.1(a).]

	Suction				Pump																Driver and/or Pump					Driver								
	1	2	3	4	5	6	7	8	9	10	11	12	13	14	15	16	17	18	19	20	21	22	23	24	25	26	27	28	29	30	31	32		
Fire pump Troubles	Air drawn into suction connection through leak(s)	Suction connection obstructed	Air pocket in suction pipe	Well collapsed or serious misalignment	Stuffing box too tight or packing improperly installed, worn, defective, too tight, or incorrect type	Water seal or pipe to seal obstructed	Air leak into pump through stuffing boxes	Impeller obstructed	Wearing rings worn	Impeller damaged	Wrong diameter impeller	Actual net head lower than rated	Casing gasket defective, permitting internal leakage (single-stage and multistage pumps)	Pressure gauge is on top of pump casing	Incorrect impeller adjustment (vertical shaft turbine-type pump only)	Impellers locked	Pump is frozen	Pump shaft or shaft sleeve scored, bent, or worn	Pump not primed	Seal ring improperly located in stuffing box, preventing water from entering space to form seal	Excess bearing friction due to lack of lubrication, wear, dirt, rusting, failure, or improper installation	Rotating element binds against stationary element	Pump and driver misaligned	Foundation not rigid	Engine-cooling system obstructed	Faulty driver	Lack of lubrication	Speed too low	Wrong direction of rotation	Speed too high	Rated motor voltage different from line voltage	Faulty electric circuit, obstructed fuel system, obstructed steam pipe, or dead battery		
Excessive leakage at stuffing box					X												X					X												
Pump or driver overheats				X	X	X		X			X				X			X	X	X	X	X	X	X			X		X	X	X			
Pump unit will not start				X	X										X	X	X				X					X	X						X	
No water discharge	X	X	X					X											X															
Pump is noisy or vibrates				X	X			X		X								X			X	X	X	X			X							
Too much power required				X	X			X	X		X		X		X			X			X	X	X	X			X		X	X	X			
Discharge pressure not constant for same gpm	X				X	X	X																											
Pump loses suction after starting	X	X	X			X	X													X														
Insufficient water discharge	X	X	X			X	X	X	X	X	X	X	X	X	X													X	X			X		
Discharge pressure too low for gpm discharge	X	X	X		X	X	X	X	X	X	X	X	X	X														X	X			X		

FIGURE B.1 Possible Causes of Fire Pump Troubles.

B.1.15 Incorrect Impeller Adjustment (Vertical Shaft Turbine-Type Pump Only). Adjust impellers according to manufacturer's instructions.

B.1.16 Impellers Locked. For vertical shaft turbine-type pumps, raise and lower impellers by the top shaft adjusting nut. If this adjustment is not successful, follow the manufacturer's instructions.

For horizontal split-case pumps, remove upper case and locate and eliminate obstruction.

B.1.17 Pump Is Frozen. Provide heat in the pump room. Disassemble pump and remove ice as necessary. Examine parts carefully for damage.

B.1.18 Pump Shaft or Shaft Sleeve Scored, Bent, or Worn. Replace shaft or shaft sleeve.

B.1.19 Pump Not Primed. If a pump is operated without water in its casing, the wearing rings are likely to seize. The first warning is a change in pitch of the sound of the driver. Shut down the pump.

For vertical shaft turbine-type pumps, check water level to determine whether pump bowls have proper submergence.

B.1.20 Seal Ring Improperly Located in Stuffing Box, Preventing Water from Entering Space to Form Seal. Loosen gland swing bolt and remove stuffing box gland halves along with the water-seal ring and packing. Replace, putting seal ring in proper location.

B.1.21 Excess Bearing Friction Due to Lack of Lubrication, Wear, Dirt, Rusting, Failure, or Improper Installation. Remove bearings and clean, lubricate, or replace as necessary.

B.1.22 Rotating Element Binding Against Stationary Element. Check clearances and lubrication and replace or repair the defective part.

B.1.23 Pump and Driver Misaligned. Shaft running off center because of worn bearings or misalignment. Align pump and driver according to manufacturer's instructions. Replace bearings according to manufacturer's instructions. (See Section 6.5.)

B.1.24 Foundation Not Rigid. Tighten foundation bolts or replace foundation if necessary. (See Section 6.4.)

B.1.25 Engine Cooling System Obstructed. Heat exchanger or cooling water systems too small or cooling pump faulty. Remove thermostats. Open bypass around regulator valve and strainer. Check regulator valve operation. Check strainer. Clean and repair if necessary. Disconnect sections of cooling system to locate and remove possible obstruction. Adjust engine cooling water circulating pump belt to obtain proper speed without binding. Lubricate bearings of this pump.

If overheating still occurs at loads up to 150 percent of rated capacity, contact pump or engine manufacturer so that necessary steps can be taken to eliminate overheating.

B.1.26 Faulty Driver. Check electric motor, internal combustion engine, or steam turbine, in accordance with manufacturer's instructions, to locate reason for failure to start.

B.1.27 Lack of Lubrication. If parts have seized, replace damaged parts and provide proper lubrication. If not, stop pump and provide proper lubrication.

B.1.28 Speed Too Low. For electric motor drive, check that rated motor speed corresponds to rated speed of pump, voltage is correct, and starting equipment is operating properly.

Low frequency and low voltage in the electric power supply prevent a motor from running at rated speed. Low voltage can be due to excessive loads and inadequate feeder capacity or (with private generating plants) low generator voltage. The generator voltage of private generating plants can be corrected by changing the field excitation. When low voltage is from the other causes mentioned, it might be necessary to change transformer taps or increase feeder capacity.

Low frequency usually occurs with a private generating plant and should be corrected at the source. Low speed can result in older type squirrel-cage-type motors if fastenings of copper bars to end rings become loose. The remedy is to weld or braze these joints.

For steam turbine drive, check that valves in steam supply pipe are wide open; boiler steam pressure is adequate; steam pressure is adequate at the turbine; strainer in the steam supply pipe is not plugged; steam supply pipe is of adequate size; condensate is removed from steam supply pipe, trap, and turbine; turbine nozzles are not plugged; and setting of speed and emergency governor is correct.

For internal combustion engine drive, check that setting of speed governor is correct; hand throttle is opened wide; and there are no mechanical defects such as sticking valves, timing off, or spark plugs fouled, and so forth. These problems might require the services of a trained mechanic.

B.1.29 Wrong Direction of Rotation. Instances of an impeller turning backward are rare but are clearly recognizable by the extreme deficiency of pump delivery. Wrong direction of rota-

tion can be determined by comparing the direction in which the flexible coupling is turning with the directional arrow on the pump casing.

With a polyphase electric motor drive, two wires must be reversed; with a dc driver, the armature connections must be reversed with respect to the field connections. Where two sources of electrical current are available, the direction of rotation produced by each should be checked.

B.1.30 Speed Too High. See that pump- and driver-rated speed correspond. Replace electric motor with one of correct rated speed. Set governors of drivers for correct speed. Frequency at private generating stations might be too high.

B.1.31 Rated Motor Voltage Different from Line Voltage. For example, a 220 V or 440 V motor on 208 V or 416 V line. Obtain motor of correct rated voltage or larger size motor. (See Section 9.4.)

B.1.32 Faulty Electric Circuit, Obstructed Fuel System, Obstructed Steam Pipe, or Dead Battery. Check for break in wiring open switch, open circuit breaker, or dead battery. If circuit breaker in controller trips for no apparent reason, make sure oil is in dash pots in accordance with manufacturer's specifications. Make sure fuel pipe is clear, strainers are clean, and control valves are open in fuel system to internal combustion engine. Make sure all valves are open and strainer is clean in steam line to turbine.

B.2 Warning. Chapters 9 and 10 include electrical requirements that discourage the installation of disconnect means in the power supply to electric motor-driven fire pumps. This requirement is intended to ensure the availability of power to the fire pumps. When equipment connected to those circuits is serviced or maintained, the employee can have unusual exposure to electrical and other hazards. It can be necessary to require special safe work practices and special safeguards, personal protective clothing, or both.

B.3 Maintenance of Fire Pump Controllers After a Fault Condition.

B.3.1 Introduction. In a fire pump motor circuit that has been properly installed, coordinated, and in service prior to the fault, tripping of the circuit breaker or the isolating switch indicates a fault condition in excess of operating overload.

It is recommended that the following general procedures be observed by qualified personnel in the inspection and repair of the controller involved in the fault. These procedures are not intended to cover other elements of the circuit, such as wiring and motor, which can also require attention.

B.3.2 Caution. All inspections and tests are to be made on controllers that are de-energized at the line terminal, disconnected, locked out, and tagged so that accidental contact cannot be made with live parts and so that all plant safety procedures will be observed.

B.3.2.1 Enclosure. Where substantial damage to the enclosure, such as deformation, displacement of parts, or burning has occurred, replace the entire controller.

B.3.2.2 Circuit Breaker and Isolating Switch. Examine the enclosure interior, circuit breaker, and isolating switch for evidence of possible damage. If evidence of damage is not apparent, the circuit breaker and isolating switch can continue to be used after closing the door.

If there is any indication that the circuit breaker has opened several short-circuit faults, or if signs of possible deterioration appear within either the enclosure, circuit breaker, or isolating switch (e.g., deposits on surface, surface discoloration, insulation cracking, or unusual toggle operation), replace the components. Verify that the external operating handle is capable of opening and closing the circuit breaker and isolating switch. If the handle fails to operate the device, this would also indicate the need for adjustment or replacement.

B.3.2.3 Terminals and Internal Conductors. Where there are indications of arcing damage, overheating, or both, such as discoloration and melting of insulation, replace the damaged parts.

B.3.2.4 Contactor. Replace contacts showing heat damage, displacement of metal, or loss of adequate wear allowance of the contacts. Replace the contact springs where applicable. If deterioration extends beyond the contacts, such as binding in the guides or evidence of insulation damage, replace the damaged parts or the entire contactor.

B.3.2.5 Return to Service. Before returning the controller to service, check for the tightness of electrical connections and for the absence of short circuits, ground faults, and leakage current.

Close and secure the enclosure before the controller circuit breaker and isolating switch are energized. Follow operating procedures on the controller to bring it into standby condition.

Annex C Fire Pump Controller Connectivity

This annex is not a part of the requirements of this NFPA document but is included for informational purposes only.

C.1 Scope.

C.1.1 This annex covers considerations relating to the access of fire pump controllers, including access methods, security considerations, accessible information, potential use of accessible information, long-term improvement in reliability, and standardization that allows the full potential of connectivity to be met.

C.1.2 Potential use of accessible information includes remote supervision, remote monitoring that could include specific components for failure forecasting/component replacement, reliability analysis for owner, manufacturer, and NFPA or similar group for obtaining information only. No remote operation nor remote changing of any controller settings are to be permitted.

C.1.3 Connectivity is for remote monitoring and data gathering. It does not replace any of the alarm and signaling requirements of this standard.

C.1.4 The access can be local, such as a port (USB, RS-232, RS-485), or by remote access over any communication channel, such as phone line, Ethernet, Internet, Local Network (LAN), or other.

C.1.5 This annex includes the following:

- (1) Possible controller access configurations (C.3)
- (2) Security considerations (C.4)
- (3) Some protection methods (C.5)
- (4) Standardization issues (C.6)

Standardization means standardization per se — that is, defining common data formats, and so forth, to allow access to a defined common set of data in any compliant controller. Controllers might also have proprietary data beyond the defined common set.

C.1.6 Remote or local access to fire pump controller stored data has been in existence for over 20 years; however, each manufacturer has used proprietary means for accessing (reading or downloading or transferring) this data. There is a perceived need to extend these means to fire pump controllers in general, using some amount of commonality.

C.1.7 Although none of the clauses in Annex C are enforceable, the intention for future editions of this standard is to incorporate requirements into the main body of this standard. It is likely that the more technical aspects will remain in the annex or be deleted in the future.

C.2 General Definitions.

C.2.1 Access. The ability to interrogate a controller in order to be able to read or download data. This can also include means of sending data or commands to a controller. Annex C addresses both local access and remote access.

C.2.2 Circuitry. Electrical/electronic circuitry which include microcontrollers and associated firmware.

C.2.3 Cloud. The system of internet-connected devices and services.

C.2.4 Connectivity. The issues involved with communicating with (connecting to) fire pump controllers.

C.2.5 Encode. Encrypt. This can be used to hide data, passwords, access information, and so forth.

C.2.6 Ethernet. High-speed serial connection. Each Ethernet device has (should have) a unique Ethernet MAC (media access control) address. These are 48 bit (12 hexadecimal digit) addresses such as: 00:A0:C9:14:C8:29.

C.2.7 Firmware. A permanently stored processor program code (software); also called embedded program code.

C.2.8 Global System for Mobile Communication (GSM). Cell phone technology.

C.2.9 Internet. The global system of devices with routable IP addresses.

C.2.10 IP. Internet protocol.

C.2.11 IP-4 (IPv4). Internet version 4. Most of the extant internet is IP-4. LAN addresses are specific to IP-4. IP-4 uses 32-bit addresses (4×8) and has around 4.3 billion addresses.

C.2.12 IP-6 (IPv6). The latest (next) internet version. Most of the current internet is IP-V. All IP-6 addresses are routable. IP-6 uses 128-bit addresses and provides many times more addresses than IP-4.

C.2.13 IT Department. The company's information technology (computer) department.

C.2.14 Local Area Network (LAN). A computer network that consists of either routable or non-routable IP addresses.

C.2.15 Nonroutable. An IP address reserved for LAN use. These are not visible outside the local network. Typical LAN addresses are: 10.x.y.z, 19D.2.168.x.y, and 17D.2.16/3D.2.x.y.

C.2.16 Private Area Network (PAN). Short-range wireless networks such as: Bluetooth, ZigBee, infrared, and RFID.

C.2.17 Routable. An IP address that is part of a routing table in a network (internet) router (or switch). These are visible to the outside world.

C.2.18 Routing. The process of translating a device's IP address (usually a LAN address) into another IP address (usually a WAN or a routable address).

C.2.19 RS-232 (EIA-32). A serial transmission electrical specification for two pieces of equipment.

C.2.20 RS-485 (EIA-45). A serial transmission electrical specification which is more advanced than RS-232 It allows connection to multiple pieces of equipment. Many serial protocols, such as ModBus, and so forth, run over RS-485 electrical networks.

C.2.21 Serial Port. The electrical connection (electrical connector) to circuitry that provides and complies with a serial protocol.

C.2.22 Serial Protocol. Data format used in various commercial data/and/or control schemes involving multiple pieces of equipment, such as ModBus, LonWorks, BacNet, and CAN bus.

C.2.23 Transmission Control Protocol/Internet Protocol (TCP/IP). The protocol used for most of the internet including web pages.

C.2.24 USB Port. The connection (connector) to circuitry that provides and complies with the Universal Serial Bus protocol. This is the same as USB connection on personal devices (computers, and so forth).

C.2.25 User. The person or entity who accesses or desires to access an FPC or FPCs.

C.2.26 Wide Area Network (WAN). A network consisting of two or more locations under the control of a single entity (corporation or other entity). IP addresses must be routable in order to be visible from other locations.

C.3 Possible Configurations.

C.3.1 Standalone Controllers (FPCs) — Controllers Not Connected to a Network.

C.3.1.1 These controllers have no permanent physical (wired) or wireless connection.

C.3.1.2 Standalone controllers are almost universal in modern controllers. Manual (user) intervention is required to access (read or download).

C.3.1.3 User connection can be any of several means, such as a Serial Port or a USB Port.

C.3.1.4 There are potential dangers (security hazards) to these access means. The dangers might be accidental (inadvertent) or malicious (willful) occurrences.

C.3.1.5 Potential damage could include corrupting the stored data or the access circuitry or firmware, either the data access means and/or the fire protection related firmware.

C.3.2 Controllers (FPCs) Permanently Connected to a Network.

C.3.2.1 Private (Premise) Permanently Wired Methods. These might include: Phone modem; serial port or USP Port, or Ethernet (*see IEEE 802.3*). The preferred protocol is Modbus. Other protocols can be used but no guidance is provided to standardize the register definitions for other protocols.

C.3.2.2 Public Accessible Connections (Wired or Wireless). These might have a factory pre-assigned (default) LAN IP address or addresses, which is usually assigned by the premise owner's IT department.

C.3.2.3 Permanent Wireless Connections. These can be WiFi (*see IEEE 802.11*) (LAN or routable); cellular (any of various services) (LAN).

C.4 Security Concerns.

C.4.1 General. Fire pump controllers (FPCs) are usually critical to life safety and property protection. Modern FPCs make use of internal embedded processors (microprocessors or microcontrollers). These are subject to damage or derangement if the program (program code) or data is damaged or compromised.

C.4.2 Accessing Data. Plugging into the data access port (USP or other) via a computer (laptop, tablet, and so forth), smart phone, or a thumb drive (memory stick) could cause electrical damage or damage to data or software. Provisions should be made to prevent any such damage from preventing the fire pump from starting.

C.4.2.1 The device used to access the data might be damaged or have an infection (virus) which could infect the fire pump controller. Inadvertent damage threats could include the following:

- (1) Accidental altering controller while connected to a laptop, cell phone, and so forth (remotely or locally)
- (2) Lightning hits (mainly induced surges from nearby hits)
- (3) Local (building) network (LANs) problems
- (4) Wide area (corporate) network (WAN) problems
- (5) Internet or "Cloud" problems

C.4.3 Malicious Intent. All devices with a routable IP address are discovered within minutes of being connected to the internet. Furthermore, connected (routable) devices are constantly being scanned.

C.4.4 Infections.

C.4.4.1 Computers (laptops, tablets, and so forth) are frequently infected with viruses, key-loggers, trojan horses, and so forth, despite installed anti-virus software. Many of these allow the infected machine to be used for malicious intents.

C.4.4.2 Web pages are often infected. Web pages can be shut down, masquerade as another web page ("spoofing"), or used to gather data.

C.4.4.3 Web servers can also become infected and be forced to use hosted web page for malicious purposes.

C.4.5 Remote Control Hazards.

C.4.5.1 Allowing remote starting and/or stopping a fire pump implies outside world access to the basic control software. This limits or negates the effectiveness of any firewalls.

C.4.5.2 Single installations: Disable PUMP starting, false starting (cause a fire alarm), false or reset weekly test time (cause a fire alarm), of a disabled controller.

C.4.5.3 Multiple installations: Simultaneous instances of any or all of 4.5.1 and 4.5.2 in order to hamper municipal services such as the local fire departments or the 911 centers.

C.4.6 External Threats to Fire Protection. Corrupting a fire pump controller's data or software (firmware) is made easier if the attacker knows the controller software. Malicious access to controller firmware is often done by one or more of the following techniques:

- (1) Corruption of controller manufacturer's network via numerous attack schemes
- (2) Compromised employees or service personnel
- (3) Faux service personnel, vendors, and so forth
- (4) Access by employees' smartphones, laptops, or tablets
- (5) Direct or indirect via home connection
- (6) Key-loggers or other infections of manufacturers' computers

C.5 Risk Mitigation Methods. Any single method can be, and are, compromised. The use of multiple methods of protection reduce the likelihood of successful attacks.

C.5.1 Risk Assessment. This includes, at a minimum, both the likelihood and the frequency of an identified risk or hazard. See the risk assessment method of *NFPA 70*, Article 708 for an example.

C.5.2 Motivations for Attackers. Some motivations include: simple mischief or curiosity (hackers); desire to commit arson; business disruption; corporate blackmail; masking criminal activity; disrupting a COPS site or sites; reprisal (disgruntled employees or former ones); foreign enemies, including terrorists; disrupting critical services; damaging a competitor's reputation.

C.5.3 Protection Against Threats. Some means of protection include: password protection (needs minimum requirements), encryption, software firewall, hardware firewall (separate processors for data access versus fire pump controlling).

C.5.4 Passwords. Passwords are easily compromised; however, more comprehensive ones take longer.

C.5.5 Encryption. Various methods include: HTTPS (SSL), RC5 and public-private key encryption. Anything less than 128-bit encryption methods are easily cracked in minutes by a determined attacker.

C.5.6 Alternate Access. GMS can be more secure than wired or wireless TCP/IP connections.

C.5.7 Risk Mitigation. Other methods of risk mitigation include the following:

- (1) Use of nonstandard ports (only limited help since encryption is vital)
- (2) Use of call-back for dial-up links
- (3) Limiting IP access to specific IP addresses(s) (white list)
- (4) Limiting access to specific MAC address(s)
- (5) Protecting controller software (source code)
- (6) Limiting the number of copies
- (7) Limiting access to software (source or object code)
- (8) Effective encryption of code

C.6 Standardization of Parameters.

C.6.1 Message Format. Allowed local network types are: RS-232, RS-485, Ethernet (TCP/IP). The preferred protocol is Modbus. Other protocols can be used, but no guidance is provided to standardize the register definitions for other protocols.

C.6.2 Modbus Register Definitions. See Table C.8.2.9.1(a), Table C.8.2.9.1(b), and Table C.8.2.9.1(c) for register definitions.

C.7 Remote Control. Remote starting and/or stopping is prohibited.

C.8 Recommended Requirements.

C.8.1 Separate access protocols should be used for the following access levels:

- (1) Read-only access to performance information — Level 1
- (2) Access for statistical analysis by independent body — Level 2a
- (3) Access for manufacturer analysis — fire pump — Level 2b
- (4) Access for manufacturer analysis — controller — Level 2c
- (5) Access for remote testing — Level 2d with alarm to be triggered if the pump is not restored to automatic mode within 8 hours

C.8.2 Information Recorded on Controller.

C.8.2.1 All recorded information should be protected in accordance with C.8.1 and/or other appropriate security to limit access to appropriate entities.

C.8.2.2 The equipment information shown in Table C.8.2.2 should be recorded on the controller at the time of installation and made accessible in accordance with Table C.8.2.2.

C.8.2.3 The information shown in Table C.8.2.3 should be continuously monitored by the controller and time stamped recorded every 24 hours and whenever the value changes more than 5 percent from the previously recorded value.

C.8.2.4 The test information shown in Table C.8.2.4 should be recorded with a time stamp, test identifier stamp, and data set identifier stamp on the controller at the time by pushing a test record button on the controller.

C.8.2.5 The performance information shown in Table C.8.2.5 should be time stamped, test identifier stamped, and data set identifier stamped, and recorded on the controller at the completion of any test and made accessible per Table C.8.2.5.

C.8.2.6 The test information shown in Table C.8.2.6 should be recorded with a time stamp and maintenance / repair identifier on the controller at the time of the maintenance.

Table C.8.2.2 Recommended Equipment Data

Data	Information Source	Data Accessible to						
		Supervision Monitoring	Performance Monitoring	Fire Pump Manufacturer	Controller Manufacturer	Independent 3rd Party Statistical Analysis	Diesel Engine Manufacturer	Remote Operations
Fire pump manufacturer	M		X	X	X	X	X	
Fire pump type	M		X	X	X	X	X	
Rated flow	M		X	X	X	X	X	
Rated pressure	M		X	X	X	X	X	
Rated speed	M		X	X	X	X	X	
Horsepower	M		X	X	X	X	X	
Factory test pressure	M		X	X	X	X	X	
Net churn pressure	M		X	X	X	X	X	
Net 150% pressure	M		X	X	X	X	X	
Pump start pressure	M		X	X	X	X	X	
Pump shutoff pressure	M		X	X	X	X	X	
Design suction pressure	M	X	X	X	X	X	X	
Design discharge pressure	M	X	X	X	X	X	X	
Electric motor manufacturer	M		X	X	X	X	X	
Electric motor type	M		X	X	X	X	X	
Electric motor serial number	M		X	X	X	X	X	
Electric motor model number	M		X	X	X	X	X	
Electric motor date in service	M		X	X	X	X	X	
Nominal system voltage	M		X	X	X	X	X	
Electric motor horsepower	M		X	X	X	X	X	
Electric motor rated speed	M		X	X	X	X	X	
Motor rated FLA at the system nominal voltage	M		X	X	X	X	X	
Motor service factor	M		X	X	X	X	X	
Motor starting code	M		X	X	X	X	X	
Diesel engine manufacturer	M		X	X	X	X	X	
Diesel engine serial number	M		X	X	X	X	X	
Diesel engine model number	M		X	X	X	X	X	
Diesel engine date in service	M		X	X	X	X	X	
Diesel engine horsepower	M		X	X	X	X	X	
Diesel engine rated speed	M		X	X	X	X	X	
Controller manufacturer	M		X	X	X	X	X	
Controller type	M		X	X	X	X	X	
Controller serial number	M		X	X	X	X	X	
Controller model number	M		X	X	X	X	X	
Controller date in service	M		X	X	X	X	X	

(continues)

Table C.8.2.2 *Continued*

Data	Data Accessible to							
	Information Source	Supervision Monitoring	Performance Monitoring	Fire Pump Manufacturer	Controller Manufacturer	Independent 3rd Party Statistical Analysis	Diesel Engine Manufacturer	Remote Operations
Jockey pump manufacturer	M		X	X	X	X	X	
Jockey pump type	M		X	X	X	X	X	
Jockey pump serial number	M		X	X	X	X	X	
Jockey pump model number	M		X	X	X	X	X	
Jockey pump date in service	M		X	X	X	X	X	
Jockey pump horsepower	M		X	X	X	X	X	
Jockey pump start pressure	M		X	X	X	X	X	
Jockey pump shutoff pressure	M		X	X	X	X	X	
Jockey pump controller manufacturer	M		X	X	X	X	X	
Jockey pump controller manufacturer	M		X	X	X	X	X	
Jockey pump controller type	M		X	X	X	X	X	
Jockey pump controller serial number	M		X	X	X	X	X	
Jockey pump controller model number	M		X	X	X	X	X	
Jockey pump controller date in service	M		X	X	X	X	X	
Maximum system flow demand (at pump discharge flange)	M		X	X	X	X	X	
Maximum system pressure demand (at pump discharge flange)	M		X	X	X	X	X	

M: Requires manual input at time of installation or test.

Table C.8.2.3 Continuously Monitored Data

Data	Data Accessible to							
	Information Source	Supervision Monitoring	Performance Monitoring	Fire Pump Manufacturer	Controller Manufacturer	Independent 3rd Party statistical Analysis	Diesel Engine Manufacturer	Remote Operations
Fire pump power status	M	X	X	X	X	X	X	
Fire pump running status	M	X	X	X	X	X	X	
Fire pump test running	M	X	X	X	X	X	X	
Suction pressure	A	X	X	X	X	X	X	
System pressure	A	X	X	X	X	X	X	
Water temperature in pump casing	A	X	X	X	X	X	X	
Room temperature	A	X	X	X	X	X	X	
Pump started	A	X	X	X	X	X	X	
Pressure at pump start	A	X	X	X	X	X	X	
Type of start (automatic demand, automatic test, manual)	A	X	X	X	X	X	X	
Pump shutdown	A	X	X	X	X	X	X	
System pressure at pump Shutdown	A	X	X	X	X	X	X	
Type of shutdown (automatic demand, automatic test, manual)	A	X	X	X	X	X	X	
Loss of power	A	X	X	X	X	X	X	
Transfer of power	A	X	X	X	X	X	X	
Fuel tank level	A	X	X			X	X	
Fuel maintenance system status	A	X	X			X	X	

A: Controller should access and record data automatically.

M: Requires manual input at time of installation or test.

Table C.8.2.4 Recommended Test Performance Data

Time Stamped Data Multiple Data Sets	Information Source	Supervision Monitoring	Performance Monitoring	Fire Pump Manufacturer	Controller Manufacturer	Data Accessible to		
						Independent 3rd party statistical analysis	Diesel Engine Manufacturer	Remote Operations
Test date	A		X	X	X	X	X	
Test reference identifier	A		X	X	X	X	X	
Data set reference identifier	A		X	X	X	X	X	
Suction pressure	A		X	X	X	X	X	
System pressure	A		X	X	X	X	X	
Water temperature in pump casing	A		X	X	X	X	X	
Room temperature	A		X	X	X	X	X	
Pump started	A		X	X	X	X	X	
Pressure at pump start	A		X	X	X	X	X	
Type of start (automatic demand, automatic test, manual)	A		X	X	X	X	X	
Pump shutdown	A		X	X	X	X	X	
System pressure at pump shutdown	A		X	X	X	X	X	
Type of shutdown (automatic demand, automatic test, manual)	A		X	X	X	X	X	
Loss of power	A		X	X	X	X	X	
Transfer of power	A		X	X	X	X	X	
Test date	A		X	X	X	X	X	
RPM	A		X	X	X	X	X	
Voltage phase A – B	A		X	X	X	X	X	
Voltage phase B – C	A		X	X	X	X	X	
Voltage phase C – C	A		X	X	X	X	X	
Amperage phase 1	A		X	X	X	X	X	
Amperage phase 2	A		X	X	X	X	X	
Amperage phase 3	A		X	X	X	X	X	
Suction pressure	A		X	X	X	X	X	
Discharge pressure	A		X	X	X	X	X	
Net pressure	A		X	X	X	X	X	
Minimum transducer pressure	A		X	X	X	X	X	
Nozzle 1 coefficient	M		X	X	X	X	X	
Nozzle 1 size	M		X	X	X	X	X	
Nozzle 1 pitot	M/A		X	X	X	X	X	
Nozzle 2 coefficient	M		X	X	X	X	X	
Nozzle 2 size	M		X	X	X	X	X	
Nozzle 2 pitot	M/A		X	X	X	X	X	
Nozzle 3 coefficient	M		X	X	X	X	X	

(continues)

Table C.8.2.4 *Continued*

Time Stamped Data Multiple Data Sets	Information Source	Supervision Monitoring	Performance Monitoring	Data Accessible to				
				Fire Pump Manufacturer	Controller Manufacturer	Independent 3rd party statistical analysis	Diesel Engine Manufacturer	Remote Operations
Nozzle 3 size	M		X	X	X	X	X	
Nozzle 3 pitot	M/A		X	X	X	X	X	
Nozzle 4 coefficient	M		X	X	X	X	X	
Nozzle 4 size	M		X	X	X	X	X	
Nozzle 4 pitot	M/A		X	X	X	X	X	
Nozzle 5 coefficient	M		X	X	X	X	X	
Nozzle 5 size	M		X	X	X	X	X	
Nozzle 5 pitot	M/A		X	X	X	X	X	
Nozzle 6 coefficient	M		X	X	X	X	X	
Nozzle 6 size	M		X	X	X	X	X	
Nozzle 6 pitot	M/A		X	X	X	X	X	
Fuel tank level	A		X			X	X	

A: Controller should access and record data automatically.

M: Requires manual input at time of installation or test.

M/A: Probably requires manual input at time of installation or test but may be able to Record Automatically.

Note: A “record data now button” or input from a tablet or computer is needed to record each set and/or subset of performance data along with the test and data set identifier. It is recommended to provide a minimum of five data sets for constant speed pumps and seven data sets for variable speed pumps.

C.8.2.7 As a recommended minimum, failure modes should be encoded (selectable on a pop-up menu) on the controller. The following failure modes are provided to improve standardization and help provide consistency in reporting:

- (1) Water supply inadequate
- (2) Electric power supply failure
- (3) Pipe, fitting, and/or valve failure
- (4) Controller failure
- (5) Pump running condition failure
- (6) Pump running operation failure
- (7) Relief valve failure
- (8) Diesel engine failure
- (9) Diesel engine system failure
- (10) Component failure (identify component)
- (11) Other (provide comment)

C.8.2.8 As a recommended minimum, the components should be encoded (selectable on a pop-up menu) on the controller. The following components list is provided to improve standardization and help provide consistency in reporting:

- (1) Impeller
- (2) Shaft
- (3) Bearings

- (4) Electric motor
- (5) Diesel engine
- (6) Batteries
- (7) Controller
- (8) Circuit board
- (9) Relief valve
- (10) Check valve
- (11) Control valve

C.8.2.9 Modbus Register Addresses.

C.8.2.9.1 Table C.8.2.9.1(a) through Table C.8.2.9.1(c) are recommended Modbus register usage for controllers.

C.8.2.9.2 Table C.8.2.9.1(c) includes information that is beyond the current functionality of fire pump controllers but is important for evaluating the reliability of fire pump systems and components. The proposed Modbus register usage in this table is preliminary and can be modified by NEMA and input from fire pump controller manufacturers. If it is determined that the information in Table C.8.2.9.1(c) is beyond what should be included in a fire pump controller, a standalone device could be developed to handle the information in this table. The data in Table C.8.2.9.1(c) can be stored locally, remotely, or both.

Table C.8.2.5 Recommended Performance Data

Time Stamped Data Multiple Data Sets	Information Source	Supervision Monitoring	Performance Monitoring	Data Accessible to				
				Fire Pump Manufacturer	Controller Manufacturer	Independent 3rd party statistical analysis	Diesel Engine Manufacturer	Remote Operations
Flow through pump	M/A		X	X	X	X	X	
RPM adjusted net pressure	A		X	X	X	X	X	
RPM adjusted flow	A		X	X	X	X	X	
% of factory certified curve	A		X	X	X	X	X	
Hours on diesel engine or electric motor	A		X	X	X	X	X	
Maximum system flow demand (at pump discharge flange)	M		X	X	X	X	X	
Maximum system pressure demand (at pump discharge flange)	M		X	X	X	X	X	
Pump passed initial test	M		X	X	X	X	X	
Pump could supply maximum system demand	M		X	X	X	X	X	
Pump was significantly impaired	M		X	X	X	X	X	
Pump was partially impaired	M		X	X	X	X	X	
Pump passed after adjustments	M		X	X	X	X	X	
Failure mode	M		X	X ^a	X ^b	X	X ^c	
Explanation of failure	M		X	X ^a	X ^b	X	X ^c	
Part replaced (1)	M		X	X ^a	X ^b	X	X ^c	
Part replaced (2)	M		X	X ^a	X ^b	X	X ^c	
Part replaced (3)	M		X	X ^a	X ^b	X	X ^c	
Part replaced (4)	M		X	X ^a	X ^b	X	X ^c	
Description of maintenance, repair, and/or part replacement	M		X	X ^a	X ^b	X	X ^c	
Routine maintenance or repair	M		X	X ^a	X ^b	X	X ^c	
Date & time repair completed								

A: Controller should access and record data automatically.

M: Requires manual input at time of installation or test.

M/A: Probably requires manual Input at time of installation or test but may be able to Record Automatically.

^aFor failure modes and parts replacement that involve the fire pump or motor.

^bFor failure modes and parts replacement that involve the fire pump controller.

^cFor failure modes and parts replacement that involve the diesel engine driver.

Note: A "record data now button" or input from a tablet or computer is needed to record each set and / or subset of performance data along with the test and data set identifier. It is recommended to provide for a minimum of 5 data sets for constant speed pumps and 7 data sets for variable speed pumps.

Table C.8.2.6 Maintenance Data

Data	Information Source	Data Accessible to					
		Supervision Monitoring	Performance Monitoring	Fire Pump Manufacturer	Controller Manufacturer	Independent 3rd party statistical analysis	Diesel Engine Manufacturer
Date of maintenance/repair	M		X	X	X	X	X
Maintenance/repair identifier	M		X	X	X	X	X
Pump could supply maximum system demand before maintenance/repair.	M		X	X	X	X	X
Pump was significantly impaired.	M		X	X	X	X	X
Pump was partially impaired.	M		X	X	X	X	X
Failure mode	M		X	X ^a	X ^b	X	X ^c
Explanation of failure	M		X	X ^a	X ^b	X	X ^c
Part replaced (1)	M		X	X ^a	X ^b	X	X ^c
Part replaced (2)	M		X	X ^a	X ^b	X	X ^c
Part replaced (3)	M		X	X ^a	X ^b	X	X ^c
Part replaced (4)	M		X	X ^a	X ^b	X	X ^c
Description of maintenance/repair	M		X	X ^a	X ^b	X	X ^c
Routine maintenance or repair	M		X	X ^a	X ^b	X	X ^c
Date & time repair completed	M		X	X	X	X	X
Fuel tank level	A		X			X	X
Fuel maintenance system status	A		X			X	X

A: Controller should access and record data automatically.

M: Requires manual input at time of installation or test.

^aFor failure modes and parts replacement that involve the fire pump or motor.

^bFor failure modes and parts replacement that involve the fire pump controller.

^cFor failure modes and parts replacement that involve the diesel engine driver

Note: A "record data now button" or input from a tablet or computer is needed to record each set and/or subset of performance data.

Table C.8.2.9.1(a) Recommended Standardized Electric Motor Controller Modbus Register Definitions

Modbus Register	Registry Use	Flow (%)	Format	Data Type
42001	ac volts L1-L2	NA	xxxxx	D
42002	ac volts L2-L3	NA	xxxxx	D
42003	ac volts L1-L3	NA	xxxxx	D
42004	ac amps L1	NA	xxxxx	D
42005	ac amps L2	NA	xxxxx	D
42006	ac amps L3	NA	xxxxx	D
42007	System pressure (psi or bars)	NA	xxxx.x or xxx.xx*	D
42008	Suction pressure (psi or bars)	NA	xxxx.x or xxx.xx*	D
42009	VFD speed (HZ)	NA	xxxxx	D
42010	Aux input #1, 0–100%	NA	xxxxx	D
42011	Aux input #2, 0–100%	NA	xxxxx	D
Modbus Register Description Alarm On State				
42012	Alarm register #1	NA		D
	Minimum run delay timing high	NA	bit-0	D
	Accelerate delay timing high	NA	bit-1	D
	High zone delay timing high	NA	bit-2	D
	Sequence delay timing high	NA	bit-3	D
	Load shed active high	NA	bit-4	D
	Low discharge pressure alarm high	NA	bit-5	D
	Low suction alarm high	NA	bit-6	D
	Low suction shutdown active high	NA	bit-7	D
	System over pressure alarm high	NA	bit-8	D
	Restart delay timing high	NA	bit-9	D
	Weekly test demand active high	NA	bit-10	D
	Failure to start alarm high	NA	bit-11	D
	Lockout active high	NA	bit-12	D
	VFD ready high	NA	bit-13	D
	VFD forward command active high	NA	bit-14	D
	VFD reverse command active high	NA	bit-15	D
42013	Alarm register #2	NA		D
	Pressure start demand high	NA	bit-0	D
	Remote start demand high	NA	bit-1	D
	Deluge start demand high	NA	bit-2	D
	Weekly test start demand high	NA	bit-3	D
	Local start PB demand high	NA	bit-4	D
	Manual operator start demand high	NA	bit-5	D
	Audible alarm high	NA	bit-6	D
	Weekly/monthly test setup error high	NA	bit-7	D
	Minimum run timed out high	NA	bit-8	D
	Load shed delay timing high	NA	bit-9	D

(continues)

Table C.8.2.9.1(a) *Continued*

Modbus Register	Registry Use	Flow (%)	Format	Data Type
	Mod SP1/2 power OK high	NA	bit-10	D
	Mod SP1/2 power loss start high	NA	bit-11	D
	Pressure transducer fault high	NA	bit-12	D
	Pressure transducer test OK high	NA	bit-13	D
	VFD failure high	NA	bit-14	D
	Controller in bypass mode, soft start/VFD only high	NA	bit-15	D
42014	Alarm register #3	NA		D
	Timed trip timing high	NA	bit-0	D
	Motor running high	NA	bit-1	D
	Motor overload alarm high	NA	bit-2	D
	Motor single phasing alarm high	NA	bit-3	D
	Phase reversal alarm high	NA	bit-4	D
	ac voltage low alarm high	NA	bit-5	D
	Phase smart protection lockout high	NA	bit-6	D
	Transfer switch in normal position high	NA	bit-7	D
	Transfer switch in emergency position high	NA	bit-8	D
	ac power available high	NA	bit-9	D
	Transfer switch normal power available high	NA	bit-10	D
	Transfer switch emergency power available high	NA	bit-11	D
	Emergency CB open high	NA	bit-12	D
	CB tripped high	NA	bit-13	D
	Engine start signal low	NA	bit-14	D
	Unused	NA	bit-15	D
42015	Alarm register #4	NA		D
	Pump trouble #1 input high	NA	bit-0	D
	Pump trouble #2 input high	NA	bit-1	D
	Pump trouble #3 input high	NA	bit-2	D
	Pump trouble #4 input high	NA	bit-3	D
	Pump trouble #5 input high	NA	bit-4	D
	Pump trouble #6 input high	NA	bit-5	D
	Pump trouble #7 input high	NA	bit-6	D
	Pump trouble #8 input high	NA	bit-7	D
	Pump trouble group alarm high	NA	bit-8	D
	Unused	NA	bit-9-15	D
	Other Information	NA		D
42016	Start count	NA	xxxxx	D
42017	Run time hours	NA	xxxx.x	D
42018	Hours since last run	NA	xxxx.x	D
42019	Hours since last DVS test	NA	xxxx.x	D
42020-42029	Unused	NA		

(continues)

Table C.8.2.9.1(a) *Continued*

Modbus Register	Registry Use	Flow (%)	Format	Data Type
Pump Curve Data				
	Present Data	% Flow		
42030	Measured flow (gpm or L/min)	0	xxxxx	S
42031	Year (4-digit)	0	xxxxx	S
42032	Month 1-12	0	xxxxx	S
42033	Day 1-31	0	xxxxx	S
42034	SYS – SUCT pressure (psi or bar)	0	xxxx.x or xxx.xx*	S
42035	rpm	0	xxxxx	S
42036	Suction pressure (psi or bar)	0	xxxx.x or xxx.xx*	S
42037	System pressure (psi or bar)	0	xxxx.x or xxx.xx*	S
42038	Amps L1	0	xxxxx	S
42039	Amps L2	0	xxxxx	S
42040	Amps L3	0	xxxxx	S
42041	Volts L1-L2	0	xxxxx	S
42042	Volts L2-L3	0	xxxxx	S
42043	Volts L1-L3	0	xxxxx	S
42044	Measured flow (gpm or L/min)	25	xxxxx	S
42045	Year (4-digit)	25	xxxxx	S
42046	Month 1-12	25	xxxxx	S
42047	Day 1-31	25	xxxxx	S
42048	SYS – SUCT pressure (psi or bar)	25	xxxx.x or xxx.xx*	S
42049	rpm	25	xxxxx	S
42050	Suction pressure (psi or bar)	25	xxxx.x or xxx.xx*	S
42051	System pressure (psi or bar)	25	xxxx.x or xxx.xx*	S
42052	Amps L1	25	xxxxx	S
42053	Amps L2	25	xxxxx	S
42054	Amps L3	25	xxxxx	S
42055	Volts L1-L2	25	xxxxx	S
42056	Volts L2-L3	25	xxxxx	S
42057	Volts L1-L3	25	xxxxx	S
42058	Measured flow (gpm or L/min)	50	xxxxx	S
42059	Year (4-digit)	50	xxxxx	S
42060	Month 1-12	50	xxxxx	S
42061	Day 1-31	50	xxxxx	S
42062	SYS – SUCT pressure (psi or bar)	50	xxxx.x or xxx.xx*	S
42063	rpm	50	xxxxx	S
42064	Suction pressure (psi or bar)	50	xxxx.x or xxx.xx*	S
42065	System pressure (psi or bar)	50	xxxx.x or xxx.xx*	S
42066	Amps L1	50	xxxxx	S
42067	Amps L2	50	xxxxx	S

(continues)

Table C.8.2.9.1(a) *Continued*

Modbus Register	Registry Use	Flow (%)	Format	Data Type
42068	Amps L3	50	xxxxx	S
42069	Volts L1-L2	50	xxxxx	S
42070	Volts L2-L3	50	xxxxx	S
42071	Volts L1-L3	50	xxxxx	S
42072	Measured flow (gpm or L/min)	75	xxxxx	S
42073	Year (4-digit)	75	xxxxx	S
42074	Month 1-12	75	xxxxx	S
42075	Day 1-31	75	xxxxx	S
42076	SYS – SUCT pressure (psi or bar)	75	xxxx.x or xxx.xx [*]	S
42077	rpm	75	xxxxx	S
42078	Suction pressure (psi or bar)	75	xxxx.x or xxx.xx [*]	S
42079	System pressure (psi or bar)	75	xxxx.x or xxx.xx [*]	S
42080	Amps L1	75	xxxxx	S
42081	Amps L2	75	xxxxx	S
42082	Amps L3	75	xxxxx	S
42083	Volts L1-L2	75	xxxxx	S
42084	Volts L2-L3	75	xxxxx	S
42085	Volts L1-L3	75	xxxxx	S
42086	Measured flow (gpm or L/min)	100	xxxxx	S
42087	Year (4-digit)	100	xxxxx	S
42088	Month 1-12	100	xxxxx	S
42089	Day 1-31	100	xxxxx	S
42090	SYS – SUCT pressure (psi or bar)	100	xxxx.x or xxx.xx [*]	S
42091	rpm	100	xxxxx	S
42092	Suction pressure (psi or bar)	100	xxxx.x or xxx.xx [*]	S
42093	System pressure (psi or bar)	100	xxxx.x or xxx.xx [*]	S
42094	Amps L1	100	xxxxx	S
42095	Amps L2	100	xxxxx	S
42096	Amps L3	100	xxxxx	S
42097	Volts L1-L2	100	xxxxx	S
42098	Volts L2-L3	100	xxxxx	S
42099	Volts L1-L3	100	xxxxx	S
42100	Measured flow (gpm or L/min)	125	xxxxx	S
42101	Year (4-digit)	125	xxxxx	S
42102	Month 1-12	125	xxxxx	S
42103	Day 1-31	125	xxxxx	S
42104	SYS – SUCT pressure (psi or bar)	125	xxxx.x or xxx.xx [*]	S
42105	rpm	125	xxxxx	S
42106	Suction pressure (psi or bar)	125	xxxx.x or xxx.xx [*]	S
42107	System pressure (psi or bar)	125	xxxx.x or xxx.xx [*]	S

(continues)

Table C.8.2.9.1(a) *Continued*

Modbus Register	Registry Use	Flow (%)	Format	Data Type
42108	Amps L1	125	xxxxx	S
42109	Amps L2	125	xxxxx	S
42110	Amps L3	125	xxxxx	S
42111	Volts L1-L2	125	xxxxx	S
42112	Volts L2-L3	125	xxxxx	S
42113	Volts L1-L3	125	xxxxx	S
42114	Measured flow (gpm or L/min)	150	xxxxx	S
42115	Year (4-digit)	150	xxxxx	S
42116	Month 1–12	150	xxxxx	S
42117	Day 1–31	150	xxxxx	S
42118	SYS – SUCT pressure (psi or bar)	150	xxxx.x or xxx.xx*	S
42119	rpm	150	xxxxx	S
42120	Suction pressure (psi or bar)	150	xxxx.x or xxx.xx*	S
42121	System pressure (psi or bar)	150	xxxx.x or xxx.xx*	S
42122	Amps L1	150	xxxxx	S
42123	Amps L2	150	xxxxx	S
42124	Amps L3	150	xxxxx	S
42125	Volts L1-L2	150	xxxxx	S
42126	Volts L2-L3	150	xxxxx	S
42127	Volts L1-L3	150	xxxxx	S
	Previous Data	%Flow		
42128	Measured flow (gpm or L/min)	0	xxxxx	S
42129	Year (4-digit)	0	xxxxx	S
42130	Month 1–12	0	xxxxx	S
42131	Day 1–31	0	xxxxx	S
42132	SYS – SUCT pressure (psi or bar)	0	xxxx.x or xxx.xx*	S
42133	rpm	0	xxxxx	S
42134	Suction pressure (psi or bar)	0	xxxx.x or xxx.xx*	S
42135	System pressure (psi or bar)	0	xxxx.x or xxx.xx*	S
42136	Amps L1	0	xxxxx	S
42137	Amps L2	0	xxxxx	S
42138	Amps L3	0	xxxxx	S
42139	Volts L1-L2	0	xxxxx	S
42140	Volts L2-L3	0	xxxxx	S
42141	Volts L1-L3	0	xxxxx	S
42142	Measured flow (gpm or L/min)	25	xxxxx	S
42143	Year (4-digit)	25	xxxxx	S
42144	Month 1–12	25	xxxxx	S
42145	Day 1–31	25	xxxxx	S
42146	SYS – SUCT Pressure (psi or bar)	25	xxxx.x or xxx.xx*	S

(continues)

Table C.8.2.9.1(a) *Continued*

Modbus Register	Registry Use	Flow (%)	Format	Data Type
42147	rpm	25	xxxxx	S
42148	Suction pressure (psi or bar)	25	xxxx.x or xxx.xx [*]	S
42149	System pressure (psi or bar)	25	xxxx.x or xxx.xx [*]	S
42150	Amps L1	25	xxxxx	S
42151	Amps L2	25	xxxxx	S
42152	Amps L3	25	xxxxx	S
42153	Volts L1-L2	25	xxxxx	S
42154	Volts L2-L3	25	xxxxx	S
42155	Volts L1-L3	25	xxxxx	S
42156	Measured flow (gpm or L/min)	50	xxxxx	S
42157	Year (4-digit)	50	xxxxx	S
42158	Month 1–12	50	xxxxx	S
42159	Day 1–31	50	xxxxx	S
42160	SYS – SUCT pressure (psi or bar)	50	xxxx.x or xxx.xx [*]	S
42161	rpm	50	xxxxx	S
42162	Suction pressure (psi or bar)	50	xxxx.x or xxx.xx [*]	S
42163	System pressure (psi or bar)	50	xxxx.x or xxx.xx [*]	S
42164	Amps L1	50	xxxxx	S
42165	Amps L2	50	xxxxx	S
42166	Amps L3	50	xxxxx	S
42167	Volts L1-L2	50	xxxxx	S
42168	Volts L2-L3	50	xxxxx	S
42169	Volts L1-L3	50	xxxxx	S
42170	Measured flow (gpm or L/min)	75	xxxxx	S
42171	Year (4-digit)	75	xxxxx	S
42172	Month 1–12	75	xxxxx	S
42173	Day 1–31	75	xxxxx	S
42174	SYS – SUCT pressure (psi or bar)	75	xxxx.x or xxx.xx [*]	S
42175	rpm	75	xxxxx	S
42176	Suction pressure (psi or bar)	75	xxxx.x or xxx.xx [*]	S
42177	System pressure (psi or bar)	75	xxxx.x or xxx.xx [*]	S
42178	Amps L1	75	xxxxx	S
42179	Amps L2	75	xxxxx	S
42180	Amps L3	75	xxxxx	S
42181	Volts L1-L2	75	xxxxx	S
42182	Volts L2-L3	75	xxxxx	S
42183	Volts L1-L3	75	xxxxx	S
42184	Measured flow (gpm or L/min)	100	xxxxx	S
42185	Year (4-digit)	100	xxxxx	S
42186	Month 1–12	100	xxxxx	S

(continues)

Table C.8.2.9.1(a) *Continued*

Modbus Register	Registry Use	Flow (%)	Format	Data Type
42187	Day 1–31	100	xxxxx	S
42188	SYS – SUCT pressure (psi or bar)	100	xxxx.x or xxx.xx [*]	S
42189	rpm	100	xxxxx	S
42190	Suction pressure (psi or bar)	100	xxxx.x or xxx.xx [*]	S
42191	System pressure (psi or bar)	100	xxxx.x or xxx.xx [*]	S
42192	Amps L1	100	xxxxx	S
42193	Amps L2	100	xxxxx	S
42194	Amps L3	100	xxxxx	S
42195	Volts L1-L2	100	xxxxx	S
42196	Volts L2-L3	100	xxxxx	S
42197	Volts L1-L3	100	xxxxx	S
42198	Measured flow – (gpm or L/min)	125	xxxxx	S
42199	Year (4-digit)	125	xxxxx	S
42200	Month 1–12	125	xxxxx	S
42201	Day 1–31	125	xxxxx	S
42202	SYS – SUCT pressure (psi or bar)	125	xxxx.x or xxx.xx [*]	S
42203	rpm	125	xxxxx	S
42204	Suction pressure (psi or bar)	125	xxxx.x or xxx.xx [*]	S
42205	System pressure (psi or bar)	125	xxxx.x or xxx.xx [*]	S
42206	Amps L1	125	xxxxx	S
42207	Amps L2	125	xxxxx	S
42208	Amps L3	125	xxxxx	S
42209	Volts L1-L2	125	xxxxx	S
42210	Volts L2-L3	125	xxxxx	S
42211	Volts L1-L3	125	xxxxx	S
42212	Measured flow (gpm or L/min)	150	xxxxx	S
42213	Year (4-digit)	150	xxxxx	S
42214	Month 1–12	150	xxxxx	S
42215	Day 1–31	150	xxxxx	S
42216	SYS – SUCT pressure (psi or bar)	150	xxxx.x or xxx.xx [*]	S
42217	rpm	150	xxxxx	S
42218	Suction pressure (psi or bar)	150	xxxx.x or xxx.xx [*]	S
42219	System pressure (psi or bar)	150	xxxx.x or xxx.xx [*]	S
42220	Amps L1	150	xxxxx	S
42221	Amps L2	150	xxxxx	S
42222	Amps L3	150	xxxxx	S
42223	Volts L1-L2	150	xxxxx	S
42224	Volts L2-L3	150	xxxxx	S
42225	Volts L1-L3	150	xxxxx	S

(continues)

Table C.8.2.9.1(a) *Continued*

Modbus Register	Registry Use	Flow (%)	Format	Data Type
Acceptance Data		% Flow		
42226	Measured flow (gpm or L/min)	0	xxxxx	P
42227	Year (4-digit)	0	xxxxx	P
42228	Month 1-12	0	xxxxx	P
42229	Day 1-31	0	xxxxx	P
42230	SYS – SUCT pressure (psi or bar)	0	xxxx.x or xxx.xx [*]	P
42231	rpm	0	xxxxx	P
42232	Suction pressure (psi or bar)	0	xxxx.x or xxx.xx [*]	P
42233	System pressure (psi or bar)	0	xxxx.x or xxx.xx [*]	P
42234	Amps L1	0	xxxxx	P
42235	Amps L2	0	xxxxx	P
42236	Amps L3	0	xxxxx	P
42237	Volts L1-L2	0	xxxxx	P
42238	Volts L2-L3	0	xxxxx	P
42239	Volts L1-L3	0	xxxxx	P
42240	Measured flow (gpm or L/min)	25	xxxxx	P
42241	Year (4-digit)	25	xxxxx	P
42242	Month 1-12	25	xxxxx	P
42243	Day 1-31	25	xxxxx	P
42244	SYS – SUCT pressure (psi or bar)	25	xxxx.x or xxx.xx [*]	P
42245	rpm	25	xxxxx	P
42246	Suction pressure (psi or bar)	25	xxxx.x or xxx.xx [*]	P
42247	System pressure (psi or bar)	25	xxxx.x or xxx.xx [*]	P
42248	Amps L1	25	xxxxx	P
42249	Amps L2	25	xxxxx	P
42250	Amps L3	25	xxxxx	P
42251	Volts L1-L2	25	xxxxx	P
42252	Volts L2-L3	25	xxxxx	P
42253	Volts L1-L3	25	xxxxx	P
42254	Measured flow (gpm or L/min)	50	xxxxx	P
42255	Year (4-digit)	50	xxxxx	P
42256	Month 1-12	50	xxxxx	P
42257	Day 1-31	50	xxxxx	P
42258	SYS – SUCT pressure (psi or bar)	50	xxxx.x or xxx.xx [*]	P
42259	rpm	50	xxxxx	P
42260	Suction pressure (psi or bar)	50	xxxx.x or xxx.xx [*]	P
42261	System pressure (psi or bar)	50	xxxx.x or xxx.xx [*]	P
42262	Amps L1	50	xxxxx	P
42263	Amps L2	50	xxxxx	P
42264	Amps L3	50	xxxxx	P

(continues)

Table C.8.2.9.1(a) *Continued*

Modbus Register	Registry Use	Flow (%)	Format	Data Type
42265	Volts L1-L2	50	xxxxx	P
42266	Volts L2-L3	50	xxxxx	P
42267	Volts L1-L3	50	xxxxx	P
42268	Measured flow (gpm or L/min)	75	xxxxx	P
42269	Year (4-digit)	75	xxxxx	P
42270	Month 1–12	75	xxxxx	P
42271	Day 1–31	75	xxxxx	P
42272	SYS – SUCT pressure (psi or bar)	75	xxxx.x or xxx.xx*	P
42273	RPM	75	xxxxx	P
42274	Suction pressure (psi or bar)	75	xxxx.x or xxx.xx*	P
42275	System pressure (psi or bar)	75	xxxx.x or xxx.xx*	P
42276	Amps L1	75	xxxxx	P
42277	Amps L2	75	xxxxx	P
42278	Amps L3	75	xxxxx	P
42279	Volts L1-L2	75	xxxxx	P
42280	Volts L2-L3	75	xxxxx	P
42281	Volts L1-L3	75	xxxxx	P
42282	Measured flow (gpm or L/min)	100	xxxxx	P
42283	Year (4-digit)	100	xxxxx	P
42284	Month 1–12	100	xxxxx	P
42285	Day 1–31	100	xxxxx	P
42286	SYS – SUCT pressure (psi or bar)	100	xxxx.x or xxx.xx*	P
42287	rpm	100	xxxxx	P
42288	Suction pressure (psi or bar)	100	xxxx.x or xxx.xx*	P
42289	System pressure (psi or bar)	100	xxxx.x or xxx.xx*	P
42290	Amps L1	100	xxxxx	P
42291	Amps L2	100	xxxxx	P
42292	Amps L3	100	xxxxx	P
42293	Volts L1	100	xxxxx	P
42294	Volts L2	100	xxxxx	P
42295	Volts L3	100	xxxxx	P
42296	Measured flow (gpm or L/min)	125	xxxxx	P
42297	Year (4-digit)	125	xxxxx	P
42298	Month 1–12	125	xxxxx	P
42299	Day 1–31	125	xxxxx	P
42300	SYS – SUCT pressure (psi or bar)	125	xxxx.x or xxx.xx*	P
42301	rpm	125	xxxxx	P
42302	Suction pressure (psi or bar)	125	xxxx.x or xxx.xx*	P
42303	System pressure (psi or bar)	125	xxxx.x or xxx.xx*	P
42304	Amps L1	125	xxxxx	P

(continues)

Table C.8.2.9.1(a) *Continued*

Modbus Register	Registry Use	Flow (%)	Format	Data Type
42305	Amps L2	125	xxxxx	P
42306	Amps L3	125	xxxxx	P
42307	Volts L1-L2	125	xxxxx	P
42308	Volts L2-L3	125	xxxxx	P
42309	Volts L1-L3	125	xxxxx	P
42310	Measured flow (gpm or L/min)	150	xxxxx	P
42311	Year (4-digit)	150	xxxxx	P
42312	Month 1–12	150	xxxxx	P
42313	Day 1–31	150	xxxxx	P
42314	SYS – SUCT pressure (psi or bar)	150	xxxx.x or xxx.xx*	P
42315	rpm	150	xxxxx	P
42316	Suction pressure (psi or bar)	150	xxxx.x or xxx.xx*	P
42317	System pressure (psi or bar)	150	xxxx.x or xxx.xx*	P
42318	Amps L1	150	xxxxx	P
42319	Amps L2	150	xxxxx	P
42320	Amps L3	150	xxxxx	P
42321	Volts L1-L2	150	xxxxx	P
42322	Volts L2-L3	150	xxxxx	P
42323	Volts L1-L3	150	xxxxx	P
Jockey Pump Operation				
42500	Last jockey pump monitoring reset date (year)	NA	xxxxx	S
42501	Last jockey pump monitoring reset date (month)	NA	xxxxx	S
42502	Last jockey pump monitoring reset date (day)	NA	xxxxx	S
42503	Last jockey pump monitoring reset time (hr)	NA	xxxxx	S
42504	Last jockey pump monitoring reset time (min)	NA	xxxxx	S
42505	Last jockey pump monitoring reset time (sec)	NA	xxxxx	S
42506	Total number of starts (since reset)	NA	xxxxx	S
42507	Total jockey pump run time (min, since last reset)	NA	xxxxx	S
42508	Jockey pump start pressure (most recent)	NA	xxxxx	S
42509	Jockey pump stop pressure	NA	xxxxx	S
42510	Most recent run time (sec)	NA	xxxxx	S

NA: Not applicable. P: Permanent. S: Static. D: Dynamic

*One decimal place assumed if psi and two decimal places assumed if bar.

Table C.8.2.9.1(b) Recommended Standardized Diesel Controller Modbus Register Definitions

Modbus Register	Registry Use	Flow (%)	Format	Data Type
42001	Battery #1 volts	NA	Xxxxx*	D
42002	Battery #2 volts	NA	Xxxxx*	D
42003	Unused	NA		D
42004	Battery #1 amps	NA	Xxxxx*	D
42005	Battery #2 amps	NA	Xxxxx*	D
42006	Unused	NA		D
42007	System pressure (psi or bars)	NA	xxxx.x or xxx.xx [†]	D
42008	Suction pressure (psi or bars)	NA	xxxx.x or xxx.xx [†]	D
42009	Unused	NA		D
42010	Aux. Input #1 user defined	NA	xxxxx	D
42011	Aux. Input #2 user defined	NA	xxxxx	D
	Modbus Register Description Alarm on State	NA		
42012	Alarm register #1	NA		D
	Minimum run delay timing high	NA	bit-0	D
	Power fail start delay timing high	NA	bit-1	D
	High zone delay timing high	NA	bit-2	D
	Sequence delay timing high	NA	bit-3	D
	Engine running high	NA	bit-4	D
	High water temp alarm high	NA	bit-5	D
	Low suction alarm high	NA	bit-6	D
	Low suction shutdown active high	NA	bit-7	D
	System over pressure alarm high	NA	bit-8	D
	Overspeed alarm high	NA	bit-9	D
	Weekly test demand active high	NA	bit-10	D
	Failure to start alarm high	NA	bit-11	D
	Lockout active high	NA	bit-12	D
	Crank on battery #1 high	NA	bit-13	D
	Crank on battery #2 high	NA	bit-14	D
	Resting high	NA	bit-15	D
42013	Alarm register #2	NA		D
	Pressure start demand high	NA	bit-0	D
	Remote start demand high	NA	bit-1	D
	Deluge start demand high	NA	bit-2	D
	Weekly test start demand high	NA	bit-3	D
	Start contactor #1 fail high	NA	bit-4	D
	Start contactor #2 fail high	NA	bit-5	D
	Audible alarm high	NA	bit-6	D
	Weekly/monthly test setup error high	NA	bit-7	D
	Minimum run timed out high	NA	bit-8	D
	Pump demand high	NA	bit-9	D

(continues)

Table C.8.2.9.1(b) *Continued*

Modbus Register	Registry Use	Flow (%)	Format	Data Type
	Control switch in auto high	NA	bit-10	D
	Control switch in manual high	NA	bit-11	D
	Pressure transducer fault high	NA	bit-12	D
	Pressure transducer test OK high	NA	bit-13	D
	ac power fail start high	NA	bit-14	D
	Low discharge pressure alarm high	NA	bit-15	D
42014	Alarm register #3	NA		D
	Battery #1 failure alarm high	NA	bit-0	D
	Battery #2 failure alarm high	NA	bit-1	D
	Pump trouble group alarm high	NA	bit-2	D
	System trouble #1 alarm high	NA	bit-3	D
	ac power fail alarm high	NA	bit-4	D
	Battery #1 over voltage alarm high	NA	bit-5	D
	Battery #2 over voltage alarm high	NA	bit-6	D
	Term 301, ECMS high	NA	bit-7	D
	Term 302, FIM high	NA	bit-8	D
	Term 303, ECMW high	NA	bit-9	D
	Term 304, ECMF high	NA	bit-10	D
	Term 310, RWHIT high	NA	bit-11	D
	Term 311, CRWCLS high	NA	bit-12	D
	Term 312, LET high	NA	bit-13	D
	Low oil pressure alarm high	NA	bit-14	D
	Unused	NA	bit-15	D
42015	Alarm register #4	NA		D
	Pump trouble #1 input high	NA	bit-0	D
	Pump trouble #2 input high	NA	bit-1	D
	Pump trouble #3 input high	NA	bit-2	D
	Pump trouble #4 input high	NA	bit-3	D
	Pump trouble #5 input high	NA	bit-4	D
	Pump trouble #6 input high	NA	bit-5	D
	Pump trouble #7 input high	NA	bit-6	D
	Pump trouble #8 input high	NA	bit-7	D
	Battery #1 in equalize high	NA	bit-8	D
	Battery #2 in equalize high	NA	bit-9	D
	Battery #1 OK high	NA	bit-10	D
	Battery #2 OK high	NA	bit-11	D
	Charger #1 fail alarm high	NA	bit-12	D
	Charger #2 fail alarm high	NA	bit-13	D
	System trouble #2 alarm high	NA	bit-14	D
	Unused	NA	bit-15	D

(continues)

Table C.8.2.9.1(b) *Continued*

Modbus Register	Registry Use	Flow (%)	Format	Data Type
Other Information		NA		D
42016	Start count	NA	xxxxx	D
42017	Run time hours	NA	xxxxx	D
42018	Hours since last run	NA	xxxx.x*	D
42019	Hours since last DVS test	NA	xxxx.x*	D
42020-42029	Unused	NA		
Pump Curve Data				
Present Data		% Flow		
42030	Measured flow (gpm or L/min)	0	xxxxx	S
42031	Year (4-digit)	0	xxxxx	S
42032	Month 1-12	0	xxxxx	S
42033	Day 1-31	0	xxxxx	S
42034	SYS – SUCT pressure (psi or bar)	0	xxxx.x or xxx.xx [†]	S
42035	RPM	0	xxxxx	S
42036	Suction pressure (psi or bar)	0	xxxx.x or xxx.xx [†]	S
42037	System pressure (psi or bar)	0	xxxx.x or xxx.xx [†]	S
42038	Amps battery 1	0	xxxxx	S
42039	Amps battery 2	0	xxxxx	S
42040	Volts battery 1	0	xxxxx	S
42041	Volts battery 2	0	xxxxx	S
42042	Unused	0	xxxxx	S
42043	Unused	0	xxxxx	S
42044	Measured flow (gpm or L/min)	25	xxxxx	S
42045	Year (4-digit)	25	xxxxx	S
42046	Month 1-12	25	xxxxx	S
42047	Day 1-31	25	xxxxx	S
42048	SYS – SUCT pressure (psi or bar)	25	xxxx.x or xxx.xx [†]	S
42049	rpm	25	xxxxx	S
42050	Suction pressure (psi or bar)	25	xxxx.x or xxx.xx [†]	S
42051	System pressure (psi or bar)	25	xxxx.x or xxx.xx [†]	S
42052	Amps battery 1	25	xxxxx	S
42053	Amps battery 2	25	xxxxx	S
42054	Volts battery 1	25	xxxxx	S
42055	Volts battery 2	25	xxxxx	S
42056	Unused	25	xxxxx	S
42057	Unused	25	xxxxx	S
42058	Measured flow (gpm or L/min)	50	xxxxx	S
42059	Year (4-digit)	50	xxxxx	S
42060	Month 1-12	50	xxxxx	S
42061	Day 1-31	50	xxxxx	S

(continues)

Table C.8.2.9.1(b) *Continued*

Modbus Register	Registry Use	Flow (%)	Format	Data Type
42062	SYS – SUCT pressure (psi or bar)	50	xxxx.x or xxx.xx [†]	S
42063	rpm	50	xxxxx	S
42064	Suction pressure (psi or bar)	50	xxxx.x or xxx.xx [†]	S
42065	System pressure (psi or bar)	50	xxxx.x or xxx.xx [†]	S
42066	Amps battery 1	50	xxxxx	S
42067	Amps battery 2	50	xxxxx	S
42068	Volts battery 1	50	xxxxx	S
42069	Volts battery 2	50	xxxxx	S
42070	Unused	50	xxxxx	S
42071	Unused	50	xxxxx	S
42072	Measured flow (gpm or L/min)	75	xxxxx	S
42073	Year (4-digit)	75	xxxxx	S
42074	Month 1–12	75	xxxxx	S
42075	Day 1–31	75	xxxxx	S
42076	SYS – SUCT pressure (psi or bar)	75	xxxx.x or xxx.xx [†]	S
42077	rpm	75	xxxxx	S
42078	Suction pressure (psi or bar)	75	xxxx.x or xxx.xx [†]	S
42079	System Pressure (psi or bar)	75	xxxx.x or xxx.xx [†]	S
42080	Amps battery 1	75	xxxxx	S
42081	Amps battery 2	75	xxxxx	S
42082	Volts battery 1	75	xxxxx	S
42083	Volts battery 2	75	xxxxx	S
42084	Unused	75	xxxxx	S
42085	Unused	75	xxxxx	S
42086	Measured flow (gpm or L/min)	100	xxxxx	S
42087	Year (4-digit)	100	xxxxx	S
42088	Month 1–12	100	xxxxx	S
42089	Day 1–31	100	xxxxx	S
42090	SYS – SUCT pressure (psi or bar)	100	xxxx.x or xxx.xx [†]	S
42091	rpm	100	xxxxx	S
42092	Suction pressure (psi or bar)	100	xxxx.x or xxx.xx [†]	S
42093	System pressure (psi or bar)	100	xxxx.x or xxx.xx [†]	S
42094	Amps battery 1	100	xxxxx	S
42095	Amps battery 2	100	xxxxx	S
42096	Volts battery 1	100	xxxxx	S
42097	Volts battery 2	100	xxxxx	S
42098	Unused	100	xxxxx	S
42099	Unused	100	xxxxx	S
42100	Measured flow (gpm or L/min)	125	xxxxx	S
42101	Year (4-digit)	125	xxxxx	S

(continues)

Table C.8.2.9.1(b) *Continued*

Modbus Register	Registry Use	Flow (%)	Format	Data Type
42102	Month 1–12	125	xxxxx	S
42103	Day 1–31	125	xxxxx	S
42104	SYS – SUCT pressure (psi or bar)	125	xxxx.x or xxx.xx [†]	S
42105	rpm	125	xxxxx	S
42106	Suction pressure (psi or bar)	125	xxxx.x or xxx.xx [†]	S
42107	System pressure (psi or bar)	125	xxxx.x or xxx.xx [†]	S
42108	Amps battery 1	125	xxxxx	S
42109	Amps battery 2	125	xxxxx	S
42110	Volts battery 1	125	xxxxx	S
42111	Volts battery 2	125	xxxxx	S
42112	Unused	125	xxxxx	S
42113	Unused	125	xxxxx	S
42114	Measured flow (gpm or L/min)	150	xxxxx	S
42115	Year (4-digit)	150	xxxxx	S
42116	Month 1–12	150	xxxxx	S
42117	Day 1–31	150	xxxxx	S
42118	SYS – SUCT pressure (psi or bar)	150	xxxx.x or xxx.xx [†]	S
42119	rpm	150	xxxxx	S
42120	Suction pressure (psi or bar)	150	xxxx.x or xxx.xx [†]	S
42121	System pressure (psi or bar)	150	xxxx.x or xxx.xx [†]	S
42122	Amps battery 1	150	xxxxx	S
42123	Amps battery 2	150	xxxxx	S
42124	Volts battery 1	150	xxxxx	S
42125	Volts battery 2	150	xxxxx	S
42126	Unused	150	xxxxx	S
42127	Unused	150	xxxxx	S
	Previous Data	%FLOW		
42128	Measured flow (gpm or L/min)	0	xxxxx	S
42129	Year (4-digit)	0	xxxxx	S
42130	Month 1–12	0	xxxxx	S
42131	Day 1–31	0	xxxxx	S
42132	SYS – SUCT pressure (psi or bar)	0	xxxx.x or xxx.xx [†]	S
42133	rpm	0	xxxxx	S
42134	Suction pressure (psi or bar)	0	xxxx.x or xxx.xx [†]	S
42135	System pressure (psi or bar)	0	xxxx.x or xxx.xx [†]	S
42136	Amps battery 1	0	xxxxx	S
42137	Amps battery 2	0	xxxxx	S
42138	Volts battery 1	0	xxxxx	S
42139	Volts battery 2	0	xxxxx	S
42140	Unused	0	xxxxx	S

(continues)

Table C.8.2.9.1(b) *Continued*

Modbus Register	Registry Use	Flow (%)	Format	Data Type
42141	Unused	0	xxxxx	S
42142	Measured flow (gpm or L/min)	25	xxxxx	S
42143	Year (4-digit)	25	xxxxx	S
42144	Month 1–12	25	xxxxx	S
42145	Day 1–31	25	xxxxx	S
42146	SYS – SUCT pressure (psi or bar)	25	xxxx.x or xxx.xx [†]	S
42147	rpm	25	xxxxx	S
42148	Suction pressure (psi or bar)	25	xxxx.x or xxx.xx [†]	S
42149	System pressure (psi or bar)	25	xxxx.x or xxx.xx [†]	S
42150	Amps battery 1	25	xxxxx	S
42151	Amps battery 2	25	xxxxx	S
42152	Volts battery 1	25	xxxxx	S
42153	Volts battery 2	25	xxxxx	S
42154	Unused	25	xxxxx	S
42155	Unused	25	xxxxx	S
42156	Measured flow (gpm or L/min)	50	xxxxx	S
42157	Year (4-digit)	50	xxxxx	S
42158	Month 1–12	50	xxxxx	S
42159	Day 1–31	50	xxxxx	S
42160	SYS – SUCT pressure (psi or bar)	50	xxxx.x or xxx.xx [†]	S
42161	rpm	50	xxxxx	S
42162	Suction pressure (psi or bar)	50	xxxx.x or xxx.xx [†]	S
42163	System pressure (psi or bar)	50	xxxx.x or xxx.xx [†]	S
42164	Amps battery 1	50	xxxxx	S
42165	Amps battery 2	50	xxxxx	S
42166	Volts battery 1	50	xxxxx	S
42167	Volts battery 2	50	xxxxx	S
42168	Unused	50	xxxxx	S
42169	Unused	50	xxxxx	S
42170	Measured flow (gpm or L/min)	75	xxxxx	S
42171	Year (4-digit)	75	xxxxx	S
42172	Month 1– 12	75	xxxxx	S
42173	Day 1–31	75	xxxxx	S
42174	SYS – SUCT pressure (psi or bar)	75	xxxx.x or xxx.xx [†]	S
42175	rpm	75	xxxxx	S
42176	Suction pressure (psi or bar)	75	xxxx.x or xxx.xx [†]	S
42177	System pressure (psi or bar)	75	xxxx.x or xxx.xx [†]	S
42178	Amps battery 1	75	xxxxx	S
42179	Amps battery 2	75	xxxxx	S
42180	Volts battery 1	75	xxxxx	S

(continues)

Table C.8.2.9.1(b) *Continued*

Modbus Register	Registry Use	Flow (%)	Format	Data Type
42181	Volts battery 2	75	xxxxxx	S
42182	Unused	75	xxxxxx	S
42183	Unused	75	xxxxxx	S
42184	Measured flow (gpm or L/min)	100	xxxxxx	S
42185	Year (4-digit)	100	xxxxxx	S
42186	Month 1–12	100	xxxxxx	S
42187	Day 1–31	100	xxxxxx	S
42188	SYS – SUCT pressure (psi or bar)	100	xxxx.x or xxx.xx [†]	S
42189	rpm	100	xxxxxx	S
42190	Suction pressure (psi or bar)	100	xxxx.x or xxx.xx [†]	S
42191	System pressure (psi or bar)	100	xxxx.x or xxx.xx [†]	S
42192	Amps battery 1	100	xxxxxx	S
42193	Amps battery 2	100	xxxxxx	S
42194	Volts battery 1	100	xxxxxx	S
42195	Volts battery 2	100	xxxxxx	S
42196	Unused	100	xxxxxx	S
42197	Unused	100	xxxxxx	S
42198	Measured flow (gpm or L/min)	125	xxxxxx	S
42199	Year (4-digit)	125	xxxxxx	S
42200	Month 1–12	125	xxxxxx	S
42201	Day 1–31	125	xxxxxx	S
42202	SYS – SUCT pressure (psi or bar)	125	xxxx.x or xxx.xx [†]	S
42203	rpm	125	xxxxxx	S
42204	Suction pressure (psi or bar)	125	xxxx.x or xxx.xx [†]	S
42205	System pressure (psi or bar)	125	xxxx.x or xxx.xx [†]	S
42206	Amps battery 1	125	xxxxxx	S
42207	Amps battery 2	125	xxxxxx	S
42208	Volts battery 1	125	xxxxxx	S
42209	Volts battery 2	125	xxxxxx	S
42210	Unused	125	xxxxxx	S
42211	Unused	125	xxxxxx	S
42212	Measured flow (gpm or L/min)	150	xxxxxx	S
42213	Year (4-digit)	150	xxxxxx	S
42214	Month 1–12	150	xxxxxx	S
42215	Day 1–31	150	xxxxxx	S
42216	SYS – SUCT pressure (psi or bar)	150	xxxx.x or xxx.xx [†]	S
42217	rpm	150	xxxxxx	S
42218	Suction pressure (psi or bar)	150	xxxx.x or xxx.xx [†]	S
42219	System pressure (psi or bar)	150	xxxx.x or xxx.xx [†]	S
42220	Amps battery 1	150	xxxxxx	S

(continues)

Table C.8.2.9.1(b) *Continued*

Modbus Register	Registry Use	Flow (%)	Format	Data Type
42221	Amps battery 2	150	xxxxx	S
42222	Volts battery 1	150	xxxxx	S
42223	Volts battery 2	150	xxxxx	S
42224	Unused	150	xxxxx	S
42225	Unused	150	xxxxx	S
	Acceptance Data	% FLOW		
42226	Measured flow (gpm or L/min)	0	xxxxx	P
42227	Year (4-digit)	0	xxxxx	P
42228	Month 1–12	0	xxxxx	P
42229	Day 1–31	0	xxxxx	P
42230	SYS – SUCT pressure (psi or bar)	0	xxxx.x or xxx.xx [†]	P
42231	rpm	0	xxxxx	P
42232	Suction pressure (psi or bar)	0	xxxx.x or xxx.xx [†]	P
42233	System pressure (psi or bar)	0	xxxx.x or xxx.xx [†]	P
42234	Amps battery 1	0	xxxxx	P
42235	Amps battery 2	0	xxxxx	P
42236	Volts battery 1	0	xxxxx	P
42237	Volts battery 2	0	xxxxx	P
42238	Unused	0	xxxxx	P
42239	Unused	0	xxxxx	P
42240	Measured flow (gpm or L/min)	25	xxxxx	P
42241	Year (4-digit)	25	xxxxx	P
42242	Month 1–12	25	xxxxx	P
42243	Day 1–31	25	xxxxx	P
42244	SYS – SUCT pressure (psi or bar)	25	xxxx.x or xxx.xx [†]	P
42245	rpm	25	xxxxx	P
42246	Suction pressure (psi or bar)	25	xxxx.x or xxx.xx [†]	P
42247	System pressure (psi or bar)	25	xxxx.x or xxx.xx [†]	P
42248	Amps battery 1	25	xxxxx	P
42249	Amps battery 2	25	xxxxx	P
42250	Volts battery 1	25	xxxxx	P
42251	Volts battery 2	25	xxxxx	P
42252	Unused	25	xxxxx	P
42253	Unused	25	xxxxx	P
42254	Measured flow (gpm or L/minM)	50	xxxxx	P
42255	Year (4-digit)	50	xxxxx	P
42256	Month 1–12	50	xxxxx	P
42257	Day 1–31	50	xxxxx	P
42258	SYS – SUCT pressure (psi or bar)	50	xxxx.x or xxx.xx [†]	P
42259	rpm	50	xxxxx	P

(continues)

Table C.8.2.9.1(b) *Continued*

Modbus Register	Registry Use	Flow (%)	Format	Data Type
42260	Suction pressure (psi or bar)	50	xxxx.x or xxx.xx [†]	P
42261	System pressure (psi or bar)	50	xxxx.x or xxx.xx [†]	P
42262	Amps battery 1	50	xxxxx	P
42263	Amps battery 2	50	xxxxx	P
42264	Volts battery 1	50	xxxxx	P
42265	Volts battery 2	50	xxxxx	P
42266	Unused	50	xxxxx	P
42267	Unused	50	xxxxx	P
42268	Measured flow (gpm or L/min)	75	xxxxx	P
42269	Year (4-digit)	75	xxxxx	P
42270	Month 1–12	75	xxxxx	P
42271	Day 1–31	75	xxxxx	P
42272	SYS – SUCT pressure (psi or bar)	75	xxxx.x or xxx.xx [†]	P
42273	rpm	75	xxxxx	P
42274	Suction pressure (psi or bar)	75	xxxx.x or xxx.xx [†]	P
42275	System pressure (psi or bar)	75	xxxx.x or xxx.xx [†]	P
42276	Amps battery 1	75	xxxxx	P
42277	Amps battery 2	75	xxxxx	P
42278	Volts battery 1	75	xxxxx	P
42279	Volts battery 2	75	xxxxx	P
42280	Unused	75	xxxxx	P
42281	Unused	75	xxxxx	P
42282	Measured flow (gpm or L/min)	100	xxxxx	P
42283	Year (4-digit)	100	xxxxx	P
42284	Month 1–12	100	xxxxx	P
42285	Day 1–31	100	xxxxx	P
42286	SYS – SUCT pressure (psi or bar)	100	xxxx.x or xxx.xx [†]	P
42287	rpm	100	xxxxx	P
42288	Suction pressure (psi or bar)	100	xxxx.x or xxx.xx [†]	P
42289	System pressure (psi or bar)	100	xxxx.x or xxx.xx [†]	P
42290	Amps battery 1	100	xxxxx	P
42291	Amps battery 2	100	xxxxx	P
42292	Volts battery 1	100	xxxxx	P
42293	Volts battery 2	100	xxxxx	P
42294	Unused	100	xxxxx	P
42295	Unused	100	xxxxx	P
42296	Measured flow (gpm or L/min)	125	xxxxx	P
42297	Year (4-digit)	125	xxxxx	P
42298	Month 1–12	125	xxxxx	P
42299	Day 1–31	125	xxxxx	P

(continues)

Table C.8.2.9.1(b) *Continued*

Modbus Register	Registry Use	Flow (%)	Format	Data Type
42300	SYS – SUCT pressure (psi or bar)	125	xxxx.x or xxx.xx [†]	P
42301	rpm	125	xxxxx	P
42302	Suction pressure (psi or bar)	125	xxxx.x or xxx.xx [†]	P
42303	System pressure (psi or bar)	125	xxxx.x or xxx.xx [†]	P
42304	Amps battery 1	125	xxxxx	P
42305	Amps battery 2	125	xxxxx	P
42306	Volts battery 1	125	xxxxx	P
42307	Volts battery 2	125	xxxxx	P
42308	Unused	125	xxxxx	P
42309	Unused	125	xxxxx	P
42310	Measured flow (gpm or L/min)	150	xxxxx	P
42311	Year (4-digit)	150	xxxxx	P
42312	Month 1–12	150	xxxxx	P
42313	Day 1–31	150	xxxxx	P
42314	SYS – SUCT pressure (psi or bar)	150	xxxx.x or xxx.xx [†]	P
42315	rpm	150	xxxxx	P
42316	Suction pressure (psi or bar)	150	xxxx.x or xxx.xx [†]	P
42317	System pressure (psi or bar)	150	xxxx.x or xxx.xx [†]	P
42318	Amps battery 1	150	xxxxx	P
42319	Amps battery 2	150	xxxxx	P
42320	Volts battery 1	150	xxxxx	P
42321	Volts battery 2	150	xxxxx	P
42322	Unused	150	xxxxx	P
42323	Unused	150	xxxxx	P
Jockey Pump Operation				
42500	Last jockey pump monitoring reset date (year)	NA	xxxxx	S
42501	Last jockey pump monitoring reset date (month)	NA	xxxxx	S
42502	Last jockey pump monitoring reset date (day)	NA	xxxxx	S
42503	Last jockey pump monitoring reset time (hr)	NA	xxxxx	S
42504	Last jockey pump monitoring reset time (min)	NA	xxxxx	S
42505	Last jockey pump monitoring reset time (sec)	NA	xxxxx	S
42506	Total number of starts (since reset)	NA	xxxxx	S
42507	Total jockey pump run time (minutes since last reset)	NA	xxxxx	S
42508	Jockey pump start pressure (most recent)	NA	xxxxx	S
42509	Jockey pump stop pressure	NA	xxxxx	S
42510	Most recent run time (sec)	NA	xxxxx	S

NA: Not applicable. P: Permanent. S: Static. D: Dynamic

*One decimal place assumed for battery voltage, amperes, and hours.

†One decimal place assumed if psi and two decimal place assumed if bar.

Table C.8.2.9.1(c) Recommended Additional Standardized Controller Modbus Register Definitions

Modbus Register	Registry Use	Flow (%)	Format	Data Type
Basic Information (should be supplied by the fire pump package Integrator)				
43001	Recording units	NA	Xxxxx ^a	P
43002-43021	Fire pump type	NA	String(40)	P
43022	Rated flow	NA	xxxxx	P
43023	Rated pressure	NA	xxxxx	P
43024	Rated speed	NA	xxxxx	P
43025	Rated horsepower	NA	xxxxx	P
43026	Factory test pressure	NA	xxxxx	P
43027	Design net churn pressure	NA	xxxxx	P
43028	Design net 150% pressure	NA	xxxxx	P
43029	Pump start pressure	NA	xxxxx	S
43030	Pump reset pressure	NA	xxxxx	S
43031	Design suction pressure	NA	xxxxx	S
43032	Design discharge pressure	NA	xxxxx	S
43101-43120	Electric motor manufacturer	NA	String(40)	P
43121-43140	Electric motor type	NA	String(40)	P
43141-43160	Electric motor serial number	NA	String(40)	P
43161-43180	Electric motor model number	NA	String(40)	P
43181-43183	Electric motor date in service	NA	xxxxx	P
43184	Nominal system voltage	NA	xxxxx	P
43185	Electric motor rated horsepower	NA	xxxxx	P
43186	Electric motor rated speed	NA	xxxxx	P
43187	Motor rated FLA at the system nominal voltage	NA	xxxxx	P
43188	Motor service factor	NA	x.xxxx ^b	P
43189	Motor starting code	NA	ASCII	P
43190	Name plate full load amps	NA	xxxxx	P
43251-43270	Diesel engine manufacturer	NA	String(40)	P
43271-43290	Diesel engine serial number	NA	String(40)	P
43291-43310	Diesel engine model number	NA	String(40)	P
43311-43313	Diesel engine date in service	NA	xxxxx	P
43314	Diesel engine rated horsepower	NA	xxxxx	P
43315	Diesel engine rated speed	NA	xxxxx	P
43351-43370	Controller manufacturer	NA	String(40)	P
43371-43390	Controller type	NA	String(40)	P
43391-43410	Controller serial number	NA	String(40)	P
43411-43430	Controller model number	NA	String(40)	P
43431-43433	Controller date in service	NA	xxxxx	P
43501-43520	Jockey pump manufacturer	NA	String(40)	P
43521-43540	Jockey pump type	NA	String(40)	P
43541-43560	Jockey pump serial number	NA	String(40)	P

(continues)

Table C.8.2.9.1(c) *Continued*

Modbus Register	Registry Use	Flow (%)	Format	Data Type
43561-43580	Jockey pump model number	NA	String(40)	P
43581-43583	Jockey pump date in service	NA	xxxxx	S
43584	Jockey pump horsepower	NA	xxxxx	P
43585	Jockey pump start pressure	NA	xxxxx	S
43586	Jockey pump reset pressure	NA	xxxxx	S
43651-43670	Jockey pump controller manufacturer	NA	String(40)	P
43671-43690	Jockey pump controller type	NA	String(40)	P
43691-43710	Jockey pump controller serial number	NA	String(40)	P
43711-43730	Jockey pump controller model number	NA	String(40)	P
43731-43733	Jockey pump controller date in service	NA	xxxxx	P
43801	Maximum system flow demand (at pump discharge flange)	NA	xxxxx	P
43802	Maximum system pressure demand (at pump discharge flange)	NA	xxxx.x or xxx.xx ^c	P
	Continuously Monitored Data	NA		
43851	Fire pump power status	NA	xxxxx	D
43852	Fire pump running status	NA	xxxxx	D
43853	Fire pump test running	NA	xxxxx	D
43854	Suction Pressure (psi or bar)	NA	xxxx.x or xxx.xx ^c	D
43855	System pressure (psi or bar)	NA	xxxx.x or xxx.xx ^c	D
43856	Pump discharge pressure (psi or bar)	NA	xxxx.x or xxx.xx ^c	D
43857	Water temperature in pump casing	NA	xxxxx	D
43858	Room temperature	NA	xxxxx	D
43859-43861	Last pump start date	NA	xxxxx	S
43862-43864	Last pump start time	NA	xxxxx	S
43865	Pressure at pump start	NA	xxxx.x or xxx.xx ^c	S
43866-43871	Type of start (1-automatic demand, 2-automatic test, 3-manual)	NA	xxxxx	S
43872-43874	Last pump shutdown date	NA	xxxxx	S
43875-43877	Last pump shutdown time	NA		
43878	System pressure at pump shutdown	NA	xxxx.x or xxx.xx ^c	S
43879	Type of shutdown (1-automatic demand, 2-automatic test, 3-manual, 4-overspeed, 5-other trouble)	NA	xxxxx	S
43880	Loss of power	NA	xxxxx	S
43881	Transfer of power	NA	xxxxx	S
43901	Fuel tank level (0-above 2/3, 1-below 2/3)	NA	xxxxx	S
43902	Fuel tank level (% full)	NA	xxx.xx ^d	S
43903	Fuel maintenance system status	NA	xxxxx	S
	Nonflow Test Data Sets — 10 sets	NA		
43951-43953	Last nonflow monitoring reset date (day month year)	NA	xxxxx	S
43954-43956	Last nonflow monitoring reset time (hour(s) minutes seconds)	NA	xxxxx	
43957	Total number of nonflow tests during monitored period	NA	xxxxx	S
43958	Total pump test run time during monitored period (minutes)	NA	xxxxx	S
43959-43988	Nonflow test date start (day month year)	NA	xxxxx	S

(continues)

Table C.8.2.9.1(c) *Continued*

Modbus Register	Registry Use	Flow (%)	Format	Data Type
43989-44018	Nonflow test time start (hr min sec)	NA	xxxxx	S
44019-44048	Nonflow test date end (day month year)	NA	xxxxx	S
44049-44078	Nonflow test time end (hr min sec)	NA	xxxxx	S
44079-44088	Nonflow test reference identifier	NA	xxxxx	S
44089-44098	Nonflow test data set reference identifier	NA	xxxxx	S
44099-44108	Nonflow test suction pressure (psi or bar)	NA	xxxx.x or xxx.xx ^c	S
44109-44118	Nonflow test system pressure (psi or bar)	NA	xxxx.x or xxx.xx ^c	S
44119-44128	Nonflow test pump discharge pressure (psi or bar)	NA	xxxx.x or xxx.xx ^c	S
44129-44138	Nonflow test net pressure (psi or bar)	NA	xxxx.x or xxx.xx ^c	S
44139-44148	Nonflow test water temperature in pump casing	NA	xxxxx	S
44149-44158	Nonflow test room temperature	NA	xxxxx	S
44159-44188	Nonflow test pump start date (day month year)	NA	xxxxx	S
44189-44218	Nonflow test pump start time (hr min sec)	NA	xxxxx	S
44219-44228	Nonflow test pressure at pump start	NA	xxxx.x or xxx.xx ^c	S
44229-44238	Nonflow test minimum transducer pressure	NA	xxxx.x or xxx.xx ^c	S
44239-44248	Nonflow test type of start (1-automatic demand, 2-automatic test, 3-manual)	NA	xxxxx	S
44249-44278	Nonflow test pump shutdown time	NA	xxxxx	S
44279-44288	Nonflow test system pressure at pump shutdown	NA	xxxx.x or xxx.xx ^c	S
44289-44298	Nonflow test type of shutdown (1-automatic demand, 2-automatic test, 3-manual, 4-overspeed, 5-other trouble)	NA	xxxxx	S
44299-44308	Nonflow test rpm	NA	xxxxx	S
44309-44318	Non-flow test voltage phase A–B	NA	xxxxx	S
44319-44328	Nonflow test voltage phase B–C	NA	xxxxx	S
44329-44338	Nonflow test voltage phase C–A	NA	xxxxx	S
44339-44348	Nonflow test amperage phase 1	NA	xxxxx	S
44349-44358	Nonflow test amperage phase 2	NA	xxxxx	S
44359-44368	Nonflow test amperage phase 3	NA	xxxxx	S
	Acceptance Test Data Set – Permanent – 0%, 25%, 50%, 75%, 100%, 125%, & 150%	NA		
44601-44603	Test date acceptance test (day month year)	NA	xxxxx	P
44604	Test reference identifier acceptance test	NA	xxxxx	P
44605-44611	Data set reference identifier acceptance test	Yes	xxxxx	P
44612-44618	Suction pressure acceptance test	Yes	xxxx.x or xxx.xx ^c	P
44619-44625	System pressure acceptance test	Yes	xxxx.x or xxx.xx ^c	P
44626-44632	Discharge pressure acceptance test	Yes	xxxx.x or xxx.xx ^c	P
44633-44639	Net pressure	Yes	xxxx.x or xxx.xx ^c	P
44661-44667	Water temperature in pump casing acceptance test	Yes	xxxxx	P
44668-44674	Room temperature acceptance test	Yes	xxxxx	P
44675-44677	Initial pump start date acceptance test	NA	xxxxx	P
44678-44680	Initial pump start time acceptance test	NA	xxxxx	P

(continues)

Table C.8.2.9.1(c) *Continued*

Modbus Register	Registry Use	Flow (%)	Format	Data Type
44681-44683	Final pump stop date acceptance test	NA	xxxxx	P
44684-44686	Final pump stop time acceptance test	NA	xxxxx	P
44687-44716	Pump start dates acceptance test (record up to 10)	NA	xxxxx	P
44717-44746	Pump start times acceptance test (record up to 10)	NA	xxxxx	P
44747-44776	Pump stop dates - acceptance test (record up to 10)	NA	xxxxx	P
44777-44806	Pump stop times acceptance test (record up to 10)	NA	xxxxx	P
44821-44841	Pressure at pump start acceptance test	NA	xxxx.x or xxx.xx ^c	P
44842-44848	Type of start acceptance test (1-automatic demand, 2-automatic test, 3-manual)	NA	xxxxx	P
44849-44855	Minimum transducer pressure at startup acceptance test	NA	xxxxx	P
44856	Number of start and stops during acceptance test	NA	xxxxx	P
44857-44859	Final pump shutdown time acceptance test	NA	xxxxx	P
44860	System pressure at final pump shutdown	NA	xxxx.x or xxx.xx ^c	P
44861	Type of shutdown (1-automatic demand, 2-automatic test, 3-manual, 4-overspeed, 5-other trouble)	NA	xxxxx	P
44881-44901	Loss of power (for transfer) date (day month year)	NA	xxxxx	
44902-44922	Loss of power (for transfer) time (hr min sec)	NA	xxxxx	P
44923-44943	Transfer of power date (day month year)	NA	xxxxx	
44944-44964	Transfer of power time (hr min sec)	NA	xxxxx	P
44965-44985	Day power restored to normal (day month year)	NA	xxxxx	P
44986-45006	Time power restored to normal (hr min sec)	NA	xxxxx	P
45007-45027	Date readings recorded (day month year)	NA	xxxxx	P
45028-45048	Time readings recorded (hr min sec)	NA	xxxxx	P
45061-45067	rpm	Yes	xxxxx	P
45068-45074	Voltage phase A-B acceptance test	Yes	xxxxx	P
45075-45081	Voltage phase B-C acceptance test	Yes	xxxxx	P
45082-45088	Voltage phase C-A acceptance test	Yes	xxxxx	P
45089-45095	Amperage phase 1 acceptance test	Yes	xxxxx	P
45096-45102	Amperage phase 2 acceptance test	Yes	xxxxx	P
45103-45109	Amperage phase 3 acceptance test	Yes	xxxxx	P
45151-45170	Nozzle coefficient acceptance test, up to 20 per test	NA	x.xxxx ^b	P
45171-45190	Nozzle size acceptance test, up to 20 per test (in. or cm)	NA	xx.xxx ^c	P
45191-45330	Nozzle pitot pressure acceptance test, up to 20 per test	Yes	xxxx.x or xxx.xx ^c	P
45361-45367	Fuel tank level acceptance test (0-above 2/3, 1-below 2/3)	Yes	xxxxx	P
45368-45374	Fuel tank level acceptance test (% full)	Yes	xxxxx	P
45375-45381	Flow through pump acceptance test	Yes	xxxxx	P
45382-45388	rpm adjusted net pressure acceptance test	Yes	xxxx.x or xxx.xx ^c	P
45389-45395	rpm adjusted flow acceptance test (gpm or L/min)	Yes	xxxxx	P
45396-45402	% of factory certified curve acceptance test	Yes	xxxxx	P
45421-45422	Hours on diesel engine or electric motor at start of acceptance test	NA	xxxxxxxx.xx ^d	P

(continues)

Table C.8.2.9.1(c) *Continued*

Modbus Register	Registry Use	Flow (%)	Format	Data Type
45423-45424	Hours on diesel engine or electric motor at conclusion of acceptance test	NA	xxxxxxxx.xx ^d	P
45425	Pump passed initial acceptance test	NA	Y/N	P
45426	Pump could supply maximum system demand acceptance test (1-Yes, 2-No, 3-Demand not known)	NA	xxxxx	P
45427	Pump was significantly impaired acceptance test	NA	Y/N	P
45428	Pump was partially impaired acceptance test	NA	Y/N	P
45429	Pump passed after adjustments acceptance test	NA	Y/N	P
45430	Failure mode acceptance test (See standardize list)	NA	xxxxx	P
45431-45470	Explanation of failure acceptance test	NA	String(80)	P
	Fire Pump Operation	NA	xxxxx	S
45501-45503	Last fire pump monitoring reset date	NA	xxxxx	S
45504-45506	Last fire pump monitoring reset time	NA		
45507-45566	Fire pump start date and time (last 10 times)	NA	xxxxx	S
45567-45626	Fire pump stop date and time (last 10 times)	NA	xxxxx	S
45627	Fire pump start pressure (most recent)	NA	xxxxx	S
45628	Fire pump stop pressure (most recent)	NA	xxxxx	S
45629	Stop automatic or manual (most recent)	NA	xxxxx	S
45630	Total number of starts since reset	NA	xxxxx	S
45631-45632	Total run time since reset (minutes)	NA	xxxxx	S
45661-45810	Date loss of electrical power with switch in on position since last reset (50 sets)	NA	xxxxx	S
45811-45960	Time loss of electrical power with switch in on position since last reset (50 sets)	NA	xxxxx	S
45961-46110	Date power restored after loss of power with switch in on position since last reset (50 sets)	NA	xxxxx	S
46111-46260	Time power restored after loss of power with switch in on position since last reset (50 sets)	NA	xxxxx	S
46261-46410	Date power switch turned off (50 sets)	NA	xxxxx	S
46411-46560	Time power switch turned off (50 sets)	NA	xxxxx	S
46561-46710	Date power switch turned back on (50 sets)	NA	xxxxx	S
46711-46860	Time power switch turned back on (50 sets)	NA	xxxxx	S
Current Performance Test Data Set – Permanent – 0%, 25%, 50%, 75%, 100%, 125%, & 150%				
47001-47003	Test date current performance test (day month year)	NA	xxxxx	S
47004	Test reference identifier current performance test	NA	xxxxx	S
47005-47011	Data set reference identifier current performance test	Yes	xxxxx	S
47012-47018	Suction pressure current performance test	Yes	xxxx.x or xxx.xx ^c	S
47019-47025	System pressure current performance test	Yes	xxxx.x or xxx.xx ^c	S
47026-47032	Discharge pressure current performance est	YES	xxxx.x or xxx.xx ^c	S
47033-47039	Net pressure	YES	xxxx.x or xxx.xx ^c	S
47061-47067	Water temperature in pump casing current performance test	YES	xxxxx	S
47068-47074	Room temperature current performance test	YES	xxxxx	S

(continues)

Table C.8.2.9.1(c) *Continued*

Modbus Register	Registry Use	Flow (%)	Format	Data Type
47075-47077	Initial pump start date current performance test	NA	xxxxx	S
47078-47080	Initial pump start time current performance test	NA	xxxxx	S
47081-47083	Final pump stop date current performance test	NA	xxxxx	S
47084-47086	Final pump stop time current performance test	NA	xxxxx	S
47087-47116	Pump start dates current performance test (record up to 10)	NA	xxxxx	S
47117-47146	Pump start times current performance test (record up to 10)	NA	xxxxx	S
47147-47176	Pump stop dates current performance test (record up to 10)	NA	xxxxx	S
47177-47206	Pump stop times current performance test (record up to 10)	NA	xxxxx	S
47221-47241	Pressure at pump start current performance test	NA	xxxx.x or xxx.xx ^c	S
47242-47248	Type of start current performance test (1-automatic demand, 2-automatic test, 3-manual) (up to 7 startups)	NA	xxxxx	S
47249-47255	Minimum transducer pressure at startup current performance test (up to 7 startups)	NA	xxxxx	S
47256	Number of start and stops during current performance test	NA	xxxxx	S
47257-47259	Final pump shutdown time current performance test	NA	xxxxx	S
47260	System pressure at final pump shutdown	NA	xxxx.x or xxx.xx ^c	S
47261	Type of shutdown (1-automatic demand, 2-automatic test, 3-manual, 4-overspeed, 5-other trouble)	NA	xxxxx	S
47281-47301	Loss of power (for transfer or shutdown, up to 7) date (day month year)	NA	xxxxx	
47302-47322	Loss of power (for transfer or shutdown, up to 7) time (hr min sec)	NA	xxxxx	S
47323-47343	Transfer of power date, up to 7 (day month year)	NA	xxxxx	
47344-47364	Transfer of power time, up to 7 (hr min sec)	NA	xxxxx	S
47365-47385	Day power restored to normal, up to 7 (day month year)	NA	xxxxx	
47386-47406	Time power restored to normal, up to 7 (hr min sec)	NA	xxxxx	
47407-47427	Date readings recorded (day month year)	Yes	xxxxx	S
47428-47448	Time readings recorded (hr min sec)	Yes	xxxxx	S
47461-47467	rpm	Yes	xxxxx	S
47468-47474	Voltage phase A-B current performance test	Yes	xxxxx	S
47475-47481	Voltage phase B-C current performance test	Yes	xxxxx	S
47482-47488	Voltage phase C-A current performance test	Yes	xxxxx	S
47489-47495	Amperage phase 1, current performance test	Yes	xxxxx	S
47496-47502	Amperage phase 2, current performance test	Yes	xxxxx	S
47503-47509	Amperage Phase 3, current performance test	Yes	xxxxx	S
47551-47570	Nozzle coefficient current performance test, up to 20 per test	NA	x.xxxx ^b	S
47571-47590	Nozzle size current performance test, up to 20 per test (inch or cm)	NA	xx.xxx ^c	S
47591-47730	Nozzle pitot pressure current performance test, up to 20 per test	Yes	xxxx.x or xxx.xx ^c	S
47761-47767	Fuel tank level current performance test (0-above 2/3, 1-below 2/3)	Yes	xxxxx	S
47768-47774	Fuel tank level current performance test (% full)	Yes	xxxxx	S
47775-47781	Flow through pump current performance test	Yes	xxxxx	S

(continues)

Table C.8.2.9.1(c) *Continued*

Modbus Register	Registry Use	Flow (%)	Format	Data Type
47782-47788	rpm adjusted net pressure current performance test	Yes	xxxx.x or xxx.xx ^c	S
47789-47795	rpm adjusted flow current performance test (gpm or L/min)	Yes	xxxxx	S
47796-47802	% of factory certified curve current performance test	Yes	xxxxx	S
47821-47822	Hours on diesel engine or electric motor at start of current performance test	NA	xxxxxxxx.xx ^d	S
47823-47824	Hours on diesel engine or electric motor at conclusion of current performance test	NA	xxxxxxxx.xx ^d	S
47825	Pump passed initial current performance test	NA	Y/N	S
47826	Pump could supply maximum system demand current performance test (1-Yes, 2-No, 3-Demand not known)	NA	xxxxx	S
47827	Pump was significantly impaired current performance test	NA	Y/N	S
47828	Pump was partially impaired current performance test	NA	Y/N	S
47829	Pump passed after adjustments current performance test	NA	Y/N	S
47830	Failure mode current performance test (see standardize list)	NA	xxxxx	S
47831-47870	Explanation of failure current performance test	NA	String(80)	S
	Previous Performance Test Data Set – Static – 0%, 25%, 50%, 75%, 100%, 125%, & 150%	NA		
48001-48003	Test date previous performance test (day month year)	NA	xxxxx	S
48004	Test reference identifier previous performance test	NA	xxxxx	S
48005-48011	Data set reference identifier previous performance test	Yes	xxxxx	S
48012-48018	Suction pressure previous performance test	Yes	xxxx.x or xxx.xx ^c	S
48019-48025	System pressure previous performance test	Yes	xxxx.x or xxx.xx ^c	S
48026-48032	Discharge pressure previous performance test	Yes	xxxx.x or xxx.xx ^c	S
48033-48039	Net pressure	Yes	xxxx.x or xxx.xx ^c	S
48061-48067	Water temperature in pump casing previous performance test	Yes	xxxxx	S
48068-48074	Room temperature previous performance test	Yes	xxxxx	S
48075-48077	Initial pump start date previous performance test	NA	xxxxx	S
48078-48080	Initial pump start time previous performance test	NA	xxxxx	S
48081-48083	Final pump stop date previous performance test	NA	xxxxx	S
48084-48086	Final pump stop time previous performance test	NA	xxxxx	S
48087-48116	Pump start dates previous performance test (record up to 10)	NA	xxxxx	S
48117-48146	Pump start times previous performance test (record up to 10)	NA	xxxxx	S
48147-48176	Pump stop dates previous performance test (record up to 10)	NA	xxxxx	S
48177-48206	Pump stop times previous performance test (record up to 10)	NA	xxxxx	S
48221-48241	Pressure at pump start previous performance test	NA	xxxx.x or xxx.xx ^c	S
48242-48248	Type of start previous performance test, up to 7 (1-automatic demand, 2-automatic test, 3-manual)	NA	xxxxx	S
48249-48255	Minimum transducer pressure at startup previous performance test, up to 7	NA	xxxxx	S
48256	Number of start and stops during previous performance test	NA	xxxxx	S
48257-48259	Final pump shutdown time previous performance test	NA	xxxxx	S
48260	System pressure at final pump shutdown	NA	xxxx.x or xxx.xx ^c	S

(continues)

Table C.8.2.9.1(c) *Continued*

Modbus Register	Registry Use	Flow (%)	Format	Data Type
48261	Type of shutdown (1-automatic demand, 2-automatic test, 3-manual, 4-overspeed, 5-other trouble)	NA	xxxxx	S
48281-48301	Loss of power (for transfer or shutdown, up to 7) date (day month year)	NA	xxxxx	
48302-48322	Loss of power (for transfer or shutdown, up to 7) time (hr min sec)	NA	xxxxx	S
48323-48343	Transfer of power date, up to 7 (day month year)	NA	xxxxx	
48344-48364	Transfer of power time, up to 7 (hr min sec)	NA	xxxxx	S
48365-48385	Day power restored to normal, up to 7 (day month year)	NA	xxxxx	
48386-48406	Time power restored to normal, up to 7 (hr min sec)	NA	xxxxx	
48407-48427	Date readings recorded (day month year)	Yes	xxxxx	S
48428-48448	Time readings recorded (hr min sec)	Yes	xxxxx	S
48461-48467	rpm	Yes	xxxxx	S
48468-48474	Voltage Phase A–B, previous performance test	Yes	xxxxx	S
48475-48481	Voltage Phase B–C, previous performance test	Yes	xxxxx	S
48482-48488	Voltage Phase C–A, previous performance test	Yes	xxxxx	S
48489-48495	Amperage Phase 1, previous performance test	Yes	xxxxx	S
48496-48502	Amperage Phase 2, previous performance test	Yes	xxxxx	S
48503-48509	Amperage Phase 3, previous performance test	Yes	xxxxx	S
48551-48570	Nozzle coefficient previous performance test, up to 20 per test	NA	x.xxxx ^b	S
48571-48590	Nozzle size previous performance test, up to 20 per test (in. or cm)	NA	xx.xxx3	S
48591-48730	Nozzle pitot pressure previous performance test, up to 20 per test	Yes	xxxx.x or xxx.xx ^c	S
48761-48767	Fuel tank level, previous performance test (0-above 2/3, 1-below 2/3)	Yes	xxxxx	S
48768-48774	Fuel tank level, previous performance test (% full)	Yes	xxxxx	S
48775-48781	Flow through pump, previous performance test	Yes	xxxxx	S
48782-48788	rpm adjusted net pressure, previous performance test	Yes	xxxx.x or xxx.xx ^c	S
48789-48795	rpm adjusted flow, previous performance test (gpm or L/min)	Yes	xxxxx	S
48796-48802	% of factory certified curve, previous performance test	Yes	xxxxx	S
48821-48822	Hours on diesel engine or electric motor at start of previous performance test	NA	xxxxxxxx.xx ^d	S
48823-48824	Hours on diesel engine or electric motor at conclusion of previous performance test	NA	xxxxxxxx.xx ^d	S
48825	Pump passed initial previous performance test	NA	Y/N	S
48826	Pump could supply maximum system demand previous performance test (1-Yes, 2-No, 3-Demand not known)	NA	xxxxx	S
48827	Pump was significantly impaired previous performance test	NA	Y/N	S
48828	Pump was partially impaired previous performance test	NA	Y/N	S
48829	Pump passed after adjustments previous performance test	NA	Y/N	S
48830	Failure mode previous performance test (see standardize list)	NA	xxxxx	S
48831-48870	Explanation of failure previous performance test	NA	String(80)	S

(continues)

Table C.8.2.9.1(c) *Continued*

Modbus Register	Registry Use	Flow (%)	Format	Data Type
Repair Maintenance Data (20 sets)				S
48901-48903	Date of maintenance/repair	NA	xxxxx	S
48904	Maintenance/repair identifier	NA	xxxxx	S
48905	Routine maintenance or repair	NA	Y/N	S
48906	Pump out of service during maintenance/repair	NA	Y/N	S
48907-48909	Date pump out of service (day month year)	NA	xxxxx	S
48910-48912	Time pump out of service (hour min sec)	NA	xxxxx	S
48913-48915	Date pump restored to service (day month year)	NA	xxxxx	S
48916-48918	Time pump restored to service (hour min sec)	NA	xxxxx	S
48919-48921	Date pump maintenance/repair completed	NA	xxxxx	S
48922-48941	Part replaced (1)	NA	String(40)	S
48942-48981	Description of maintenance, repair, and/or Part 1 replacement	NA	String(80)	S
48982-49001	Part replaced (2)	NA	String(40)	S
49002-49041	Description of maintenance, repair, and/or Part 2 replacement	NA	String(80)	S
49042-49061	Part replaced (3)	NA	String(40)	S
49062-49101	Description of maintenance, repair, and/or Part 3 replacement	NA	String(80)	S
49102-49121	Part replaced (4)	NA	String(40)	S
49122-49161	Description of maintenance, repair, and/or Part 4 replacement	NA	String(80)	S
49162-49201	Routine maintenance or repair	NA	String(40)	S
49202-49204	Date repair completed	NA	xxxxx	S
49205	Fuel tank level current performance test (0-above 2/3, 1-below 2/3)	NA	xxxxx	S
49206	Fuel tank level current performance test (% full)	NA	xxxxx	S
49207	Fuel maintenance system status	NA	xxxxx	S
49208-49300	Unused	NA		S
49301-56900	19 additional repair maintenance data sets	NA	See 48901-49207	S

NA: Not applicable. P: Permanent. S: Static. D: Dynamic

^aA value of 0 is psi, gpm, in., and °F; a value of 1 is bar, L/min cm and °C.

^bFour decimal places assumed.

^cOne decimal place assumed if psi, two decimal places assumed if bar.

^dTwo decimal places assumed.

^eThree decimal places assumed.

Annex D Informational References

D.1 Referenced Publications. The documents or portions thereof listed in this annex are referenced within the informational sections of this standard and are not part of the requirements of this document unless also listed in Chapter 2 for other reasons.

D.1.1 NFPA Publications. National Fire Protection Association, 1 Batterymarch Park, Quincy, MA 02169-7471.

NFPA 1, *Fire Code*, 2015 edition.

NFPA 13, *Standard for the Installation of Sprinkler Systems*, 2016 edition.

NFPA 14, *Standard for the Installation of Standpipe and Hose Systems*, 2013 edition.

NFPA 15, *Standard for Water Spray Fixed Systems for Fire Protection*, 2012 edition.

NFPA 16, *Standard for the Installation of Foam-Water Sprinkler and Foam-Water Spray Systems*, 2015 edition.

NFPA 24, *Standard for the Installation of Private Fire Service Mains and Their Appurtenances*, 2016 edition.

NFPA 25, *Standard for the Inspection, Testing, and Maintenance of Water-Based Fire Protection Systems*, 2014 edition.

NFPA 31, *Standard for the Installation of Oil-Burning Equipment*, 2011 edition.

NFPA 70®, *National Electrical Code®*, 2014 edition.

NFPA 77, *Recommended Practice on Static Electricity*, 2014 edition.

NFPA 750, *Standard on Water Mist Fire Protection Systems*, 2015 edition.

D.1.2 Other Publications.

D.1.2.1 ANSI Publications. American National Standards Institute, Inc., 25 West 43rd Street, 4th Floor, New York, NY 10036.

ANSI/IEEE C62.11, *IEEE Standard for Metal-Oxide Surge Arresters for AC Power Circuits*, 2012.

D.1.2.2 ASCE Publications. American Society of Civil Engineers, 1801 Alexander Bell Drive, Reston, VA 20190-4400.

SEI/ASCE 7, *Minimum Design Loads for Buildings and Other Structures*, 2010.

D.1.2.3 AWWA Publications. American Water Works Association, 6666 West Quincy Avenue, Denver, CO 80235.

AWWA C104, *Cement-Mortar Lining for Ductile-Iron Pipe and Fittings for Water*, 2013.

D.1.2.4 HI Publications. Hydraulic Institute, 6 Campus Drive, First Floor North, Parsippany, NJ 07054-4406.

Hydraulic Institute Standards for Centrifugal, Rotary and Reciprocating Pumps

ANSI/HI 3.5, *Standard for Rotary Pumps for Nomenclature, Design, Application and Operation*,

ANSI/HI 3.6, *Rotary Pump Tests*, 2010.

ANSI/HI 9.6.4, *Rotodynamic (Centrifugal and Vertical) Pumps for Vibration Measurement and Allowable Values*, 2009.

D.1.2.5 IEEE Publications. Institute of Electrical and Electronics Engineers, Three Park Avenue, 17th Floor, New York, NY 10016-5997.

IEEE 141, *Electric Power Distribution for Industrial Plants*, 1986.

IEEE 241, *Electric Systems for Commercial Buildings*, 1990.

IEEE 493, *Recommended Practice for the Design of Reliable Industrial and Commercial Power Systems*, 2007.

IEEE 802.3, *Standard for Ethernet*, 2012.

IEEE 802.11, *Standard for Information technology – Telecommunications and information exchange between systems Local and metropolitan area networks – Specific requirements Part 11: Wireless LAN Medium Access Control (MAC) and Physical Layer (PHY) Specifications*, 2012.

Anthony, M., et al, “Reliability Analysis for Power to Fire Pump Using Fault Tree and RBD,” *IEEE Transactions on Industry Applications*, Vol. 49, No. 2, March-April 2013, pp. 997–1003.

Anthony, M., et al, “Reliability engineering applied to Critical Operations Power Systems (COPS),” *Proc. 2011 Industrial and Commercial Power Systems Technical Conference (IC&CPS)*, 1-5 May 2011, pp.1–8.

Arno, R.G., E. Stoyas, and R. Schuerger, “NEC Article 708,” *Industry Application Magazine*, IEEE, Vol.17, No.1, Jan.-Feb. 2011, pp. 20–25.

Arno, R.G., E. Stoyas, and R. Schuerger, “Risk Analysis for NEC Article 708 Critical Operations Power Systems,” *Industry Applications Society Annual Meeting*, IEEE, 4-8 Oct. 2009, pp. 1–7.

D.1.2.6 NEMA Publications. National Electrical Manufacturers Association, 1300 North 17th Street, Suite 1847, Rosslyn, VA 22209.

NEMA ICS 14, *Application Guide for Electric Fire Pump Controllers*, 2010.

NEMA 250, *Enclosures for Electrical Equipment*, 2008.

D.1.2.7 SAE Publications. Society of Automotive Engineers, 400 Commonwealth Drive, Warrendale, PA 15096.

SAE J-1349, *Engine Power Test Code — Spark Ignition and Compression Engine*, 2011.

D.1.2.8 UL Publications. Underwriters Laboratories Inc., 333 Pfingsten Road, Northbrook, IL 60062-2096.

ANSI/UL 508, *Standard for Industrial Control Equipment*, 2013.

ANSI/UL 1008, *Standard for Transfer Switch Equipment*, 2011.

D.2 Informational References. The following documents or portions thereof are listed here as informational resources only. They are not a part of the requirements of this document.

D.2.1 UL Publications. Underwriters Laboratories Inc., 333 Pfingsten Road, Northbrook, IL 60062-2096.

ANSI/UL 80, *Standard for Steel Tanks for Oil Burner Fuels and Other Combustible Liquids*, 2007, Revised 2009.

UL 2080, *Standard for Fire Resistant Tanks for Flammable and Combustible Liquids*, 2000.

ANSI/UL 2085, *Standard for Protected Aboveground Tanks for Flammable and Combustible Liquids*, 1997, Revised 2010.

D.3 References for Extracts in Informational Sections. (Reserved)

Annex E Material Extracted by NFPA 70, Article 695

This annex is not a part of the requirements of this NFPA document but is included for informational purposes only.

E.1 General. Table E.1 indicates corresponding sections of NFPA 70, Article 695.

Table E.1 NFPA 70, National Electrical Code, Extracted Material

NFPA 20		NFPA 70 Section 695		Section 695 Titles or Text
2010 Edition	2013 Edition	2008 Edition	2011 Edition	
(Reference Only)		695.3	Same	Definitions
3.3.7.2	Same	695.2	Same	Fault Tolerant External Control Circuits
3.3.34	3.3.35	695.2	Same	On-Site Power Production Facility
3.3.35	3.3.36	695.2	Same	On-Site Standby Generator
9.2.1	Same	695.3	Same	Power Source(s) for Electric Motor-Driven Fire Pumps
9.2	Same	695.3(A)	Same	Individual Sources
9.2.2	Same	695.3(A)(1)	Same	Electric Utility Service Connection (2nd Sentence)
9.2.2	Same	695.3(A)(2)	Same	On-Site Power Production Facility
9.2.2(3)	Same	N/A	695.3(A)(3)	Dedicated Feeder
9.2.2	Same	695.3(B)	Same	Multiple Sources
9.2.2	Same	695.3(B)	695.3(B)(1)	Individual Sources
9.2.2	same	695.3(B)	695.3(B)(2)	Individual Source and On-Site Standby Generator
9.3.4(1)	Same	695.3(B)(2)	695.3(C)	Multibuilding Campus-Style Complexes
9.3.4(1)	Same	695.3(B)(2)	695.3(C)(1)	Feeder Sources
9.3.4(1)	Same	695.3(B)(2)	695.3(C)(2)	Feeder and Alternate Sources
N/A	N/A	N/A	695.3(C)(3)	Selective Coordination
9.6.1	Same	695.3(B)(1)	695.3(D)	On-Site Standby Generator as Alternate Source
9.6.1	Same	695.3(B)(1)	695.3(D)(1)	Capacity
9.6.1	Same	695.3(B)(1)	695.3(D)(2)	Connection
9.6.1	Same	695.3(B)(1)	695.3(D)(3)	Adjacent Disconnections
9.3.2	Same	695.3(B)(3)	695.3(E)	Arrangement
N/A	N/A	N/A	695.3(F)	Phase Converters
9.2.1	Same	695.4	Same	Continuity of Power
9.2.2	Same	695.4(A)	Same	Direct Connection
9.2	Same	695.4(B)	Same	Connection Through Disconnecting Means and Overcurrent Device
9.2	Same	695.4(B)	695.4(B)(1)	Number of Disconnecting Means
9.2	Same	695.4(B)	695.4(B)(1)(a)	General
9.2	Same	695.4(B)-(1)	695.4(B)(1)(a)(1)	(listed fire pump controller)
9.2	Same	695.4(B)-(2)	695.4(B)(1)(a)(2)	(listed fire pump power transfer switch)
9.2	Same	695.4(B)-(3)	695.4(B)(1)(a)(3)	(listed combo, fire pump controller/transfer switch)
9.2	Same	695.4(B)	695.4(B)(1)(b)	Feeder Sources
9.2	Same	695.4(B)	695.4(B)(1)(c)	On-Site Standby Generator
9.2.3.4	Same	695.4(B)(1)	695.4(B)(2)	Overcurrent Device Selection
9.2.3.4	Same	695.4(B)(1)	695.4(B)(2)(a)	Individual Sources
9.2	Same	695.4(B)	695.4(B)(2)(b)	On-Site Standby Generators
9.2.3.2	Same	695.4(B)(2)	695.4(B)(3)	Disconnecting Means
9.2.3.2	Same	695.4(B)(2)	695.4(B)(3)(a)	Features and Location – Normal Power Source
9.2.3.1	Same	695.4(B)(2)-(1)	695.4(B)(3)(a)(1)	Be identifiable as suitable for use as service equipment...
9.2.3.1(2)	Same	695.4(B)(2)-(2)	695.1(B)(3)(a)(2)	Be lockable in the closed position...
9.2.3.1(3)	Same	695.4(B)(2)-(3)	695.1(B)(3)(a)(3)	Not be located within equipment that feeds loads other than...
9.2.3.1(4)	Same	695.4(B)(2)-(4)	695.1(B)(3)(a)(4)	Be located sufficiently remote from...
N/A	N/A	N/A	695.4(B)(3)(b)	Features and Location – On – Site Standby Generator
9.2.3.1(5)	Same	695.4(B)(3)	695.4(B)(3)(c)	Disconnect Marking
10.1.2.2	Same	695.4(B)(4)	695.4(B)(3)(d)	Controller Marking
9.2.3.3	Same	695.4(B)(5)	695.4(B)(3)(e)	Supervision
9.2.3.3(1)	Same	695.4(B)(5)-(1)	695.4(B)(3)(e)(1)	Central station, proprietary, or remote station...
9.2.3.3(2)	Same	695.4(B)(5)-(2)	695.4(B)(3)(e)(2)	Local signaling service...
9.2.3.3(3)	Same	695.4(B)(5)-(3)	695.4(B)(3)(e)(3)	Locking the disconnecting means...
9.2.3.3(4)	Same	695.4(B)(5)-(4)	695.4(B)(3)(e)(4)	Sealing of disconnecting means...
9.2.2(5)	Same	695.5	Same	Transformers
Reference Only		695.6	Same	Power Wiring

(continues)

Table E.1 *Continued*

NFPA 20		NFPA 70 Section 695		Section 695 Titles or Text
2010 Edition	2013 Edition	2008 Edition	2011 Edition	
N/A	N/A	695.6(F)	695.6(E)	Loads Supplied by Controllers and Transfer Switches
9.8	Same	N/A	695.6(H)	Listed Electrical Circuit Protective System to Controller Wiring
9.8.1	Same	N/A	695.6(H)(1)	A junction box shall be installed ahead of the fire pump controller...
9.8.2	Same	N/A	695.6(H)(2)	...the raceway between the controller and junction box shall be sealed
9.8.3	Same	N/A	695.6(H)(3)	Standard wiring between the junction box and controller is permitted
9.7	Same	695.6(F)	695.6(I)	Junction boxes
9.7(1)	Same	N/A	695.6(I)(1)	The junction box shall be securely mounted
9.7(2)	Same	N/A	695.6(I)(2)	Mounting and Installing... shall not violate the enclosure type rating...
9.7(3)	Same	N/A	695.6(I)(3)	Mounting and Installing... shall not affect the short circuit rating...
9.7(4)	Same	N/A	695.6(I)(4)	...a Type 2... enclosure shall be used...
9.7(5)	Same	695.6(F)	695.6(I)(5)	Terminals, junction blocks, wire connectors, and splices shall be listed
10.3.4.5.1, 10.3.4.6	Same	695.6(F)	695.6(I)(6)	A fire pump controller or...transfer switch shall not be used as a junction box...
9.9	Same	N/A	695.6(J)	Raceway Terminations
9.9.1	Same	N/A	695.6(J)(1)	Listed Conduit Hubs
9.9.2	Same	N/A	695.6(J)(2)	The type rating of conduit hubs
9.9.3	Same	N/A	695.6(J)(3)	Installation instructions
9.9.4	Same	N/A	695.6(J)(4)	Alterations to the controller
9.4	Same	695.7	Same	Voltage Drop
9.5.1.1	Same	695.10	Same	Listed Equipment
10.1.2.1	Same	695.10	Same	Listed Equipment
10.8.3.1	10.7.3.1	695.10	Same	Listed Equipment
12.1.3.1	Same	695.10	Same	Listed Equipment
(Reference Only)		695.12	Same	Equipment Location
10.2.1	Same	695.12(A)	Same	Controllers and Transfer Switches
12.2.1	Same	695.12(B)	Same	Engine-Drive Controllers
11.2.7.2.4	11.2.7.2.5	695.12(C)	Same	Storage Batteries
11.2.7.2.4.2	11.2.7.2.5.2	695.12(D)	Same	Energized Equipment
10.2.2	Same	695.12(E)	Same	Protection Against Pump Water
12.2.2	Same	695.12(E)	Same	Protection Against Pump Water
10.3.2	Same	695.12(F)	Same	Mounting
12.3.2	Same	695.12(F)	Same	Mounting
12.5.2.6	Same	695.14(A)	Same	Control Circuit Failures
12.7.2.5	Same	695.14(A)	Same	Control Circuit Failures
10.4.5.7	Same	695.14(B)	Same	Sensor Functioning
10.8.1.3	10.7.1.3	695.14(C)	Same	Remote Device(s)
12.3.5.1	Same	695.14(D)	Same	Engine-Drive Control Wiring
(Reference Only)	Same	695.14(E)	Same	Electric Fire Pump Control Wiring Methods
Additional References – Informational Only				
A.9.3.2(3)	Same	695.6(A)	Same	Supply Conductors
9.6.4	Same	695.12(A)	Same	Controllers and Transfer Switches
A.9.3.2(3)	Same	695.14(F)	Same	Generator Control Wiring Methods

Index

Copyright © 2015 National Fire Protection Association. All Rights Reserved.

The copyright in this index is separate and distinct from the copyright in the document that it indexes. The licensing provisions set forth for the document are not applicable to this index. This index may not be reproduced in whole or in part by any means without the express written permission of NFPA.

-A-

- Access (controller)**, C.1.1, C.1.4 to C.1.5, C.3.1.2 to C.3.1.5
 - Alternate, C.5.6
 - Data, accessing, C.4.2
 - Definition, C.2.1
 - Malicious, C.4.6
 - Recommended requirements, C.8.1, C.8.2
 - Remote starting/stopping and, C.4.5.1
 - Risk mitigation, C.5.3, C.5.6, C.5.7
- Additive**
 - Definition, 3.3.1
 - Piping, 4.14.3
- Additive pumps**, 8.2, 8.10.2, A.8.2.2 to A.8.2.6 *see also* Foam concentrate pumps
 - Definition, 3.3.44.1
 - Motors, controllers for, 10.9
- Air leaks/pockets**, B.1.1, B.1.3, B.1.7
- Air release fittings, automatic**, 6.3.1, 6.3.3, 7.3.5.1(1), 7.3.5.2, A.6.3.1
- Air starting**, 11.2.7.4, 12.4.1.4(3), 12.8, A.11.2.7.4.4
- Alarms, fire pump**, *see* Fire pump alarms
- Anti-vortex plate**, 4.15.10, A.4.15.10
- Application of standard**, 1.3
- Approved/approval**
 - Definition, 3.2.1, A.3.2.1
 - Requirements, 4.2, A.4.2
- Appurtenances, seismic protection of**, 4.29.3.4, A.4.29.3.4.1
- Aquifer (definition)**, 3.3.2
- Aquifer performance analysis**, A.7.2.1.2
 - Definition, 3.3.3
- Authority having jurisdiction**
 - Definition, 3.2.2, A.3.2.2
 - Fuel system plan review, 11.4.1.1
- Automatic air release fittings**, *see* Air release fittings, automatic
- Automatic transfer switches**, 10.8.1.3
 - Definition, 3.3.60.2.1

-B-

- Backflow preventers**, 4.15.9.2(1), 4.16.7, 4.17.1, 4.28, 11.2.8.5.3.8, A.4.16.7, A.4.17, Fig. A.6.3.1(b), A.11.2.8.5.3.8(B)
- Backup fire pump, high-rise buildings**, 5.6.2
- Batteries, storage**, 11.2.7.2, 12.7.4, 14.2.6.5.7.1, 14.2.7.7, A.11.2.7.2.1.5 to A.11.2.7.2.4
 - Failure indicators, 12.4.1.4(1), 12.4.1.4(2), A.12.4.1.4(1)
 - Isolation, 11.2.7.2.2, A.11.2.7.2.2
 - Load, 11.2.7.2.3
 - Location, 11.2.7.2.4, A.11.2.7.2.4
 - Maintenance, 11.6.3, B.1.32
 - Recharging, 12.5, A.12.5
 - Voltmeter, 12.4.5
- Battery cables**, 11.2.6.3

- Battery chargers**, 12.4.1.4(2), 12.5.3, 12.6
- Bonding, diesel engines**, 11.4.6.2 to 11.4.6.4
- Bowl assembly, vertical shaft turbine pumps**, 7.3.3
- Branch circuit (definition)**, 3.3.8.1
- Break tanks**, 4.32
 - Definition, 3.3.6
 - Refill rate test, 14.2.6.2.5
- Butterfly valves**, 4.16.8, 4.16.9, 4.28.3.1, A.4.16.8, Fig. A.4.26.6.5
- Bypass line**, 4.15.4, 11.2.8.6, A.4.15.4, A.11.2.8.6, A.13.2.1.1, B.1.25
- Bypass operation, variable speed pressure limiting control**, 10.10.3, A.10.10.3
- Bypass valves**, 4.17.1

-C-

- Can pump (definition)**, 3.3.44.2
- Capacity, pump**, 4.9, 6.2.1, A.4.9, A.14.2.6.5
- Centrifugal pumps**
 - Capacity, 4.9, 6.2.1, A.4.9, A.14.2.6.5
 - Component replacement, 14.5.2, A.14.5.2.3
 - Connection to driver and alignment, 6.5, A.6.5, B.1.23
 - Definition, 3.3.44.3
 - End suction, 6.1.1.2
 - Factory and field performance, 6.2, A.6.2
 - In-line, 6.1.1.2
 - Maximum pressure for, 4.7.7, A.4.7.7
 - Pressure maintenance pumps, 4.26.5.1, A.4.26.5
 - Relief valves, 4.19, A.4.19.1 to A.4.19.8
 - Summary of data, Table 4.27(a), Table 4.27(b)
 - Types, 6.1.1, A.6.1.1
- Check valves**, 4.15.9.2(1), 4.16.7, 4.26.6.4, 4.28, 4.31.2, 4.31.4.1, 11.2.8.5.3.3, 11.2.8.5.3.8, A.4.15.7, A.4.16.7, Fig. A.4.26.6.5, A.11.2.8.5.3.8(A)
- Churn**, *see* No flow (churn, shutoff)
- Circuit breakers**, *see* Disconnecting means
- Circuitry**
 - Controller, C.3.1.5
 - Definition, C.2.2
 - Motor starting, 10.4.5, A.10.4.5.7
 - Overspeed, 11.2.4.4.4
 - Starting, 11.2.6.1.2
- Circuits**, *see also* Fault tolerant external control circuits
 - Branch circuit (definition), 3.3.8.1
 - Control, 10.3.5.2, 10.6.5.3
 - Internal conductors, B.3.2.3
 - Protection of, *see* Protective devices
- Circulation relief valves**, *see* Relief valves
- Cloud**, C.4.2.1
 - Definition, C.2.3
- Columns, vertical shaft turbine pumps**, 7.3.2, A.7.3.2.1
- Connectivity**, Annex C

Configurations, possible, C.3
 Definitions, C.2
 Parameters, standardization, C.6
 Recommended requirements, C.8
 Remote control, C.7
 Risk mitigation methods, C.5
 Scope, C.1
 Security concerns, C.4
Contractor's material and test certificate, 14.1.3, A.14.1.3
Controllers, fire pump, *see* Fire pump controllers
Control valves, 4.15.5.2, 4.17.2, 4.21.3.4, A.13.2.1.1, B.1.3.1, C.8.2.8(11) *see also* Butterfly valves; Gate valves; Pressure control valves
 Discharge, 10.5.2.1.8.6, A.4.16.7, A.4.16.8, A.4.17, A.4.21.3.1.3(1), A.10.5.2.1
 Manual, A.13.2.1.1
 Turbine governor, A.13.2.1.1
Coolant, engine, 11.2.4.4, 11.2.8.3, 11.2.8.4
Copper pipe or tubing, *see* Pipe
Corrosion-resistant material, 4.10.2, 4.15.8.6, 4.15.8.10
 Definition, 3.3.10
 Positive displacement pumps, 8.1.5, A.8.1.5
 Vertical shaft turbine pumps, A.7.2.7
 Suction strainer, 7.3.4.1
 Well screen, 7.2.4.8
Couplings, flexible, *see* Flexible couplings
Cutting, torch, 4.14.6, A.4.14.6

-D-

Definitions, Chap. 3, C.2
Designer, system, 4.3.2
Detectors, liquid level, *see* Liquid level
Diesel engines, 4.7.2, 4.7.6, Chap. 11, A.4.7.6 *see also* Engine drive controllers
 Backup, 9.3.3
 Connection to pump, 11.2.3
 Cooling, 11.2.8, A.11.2.8.5, A.11.2.8.6, B.1.25
 Critical path components, 14.5.2.5(3)
 Definition, 3.3.15.1, A.3.3.15.1
 Emergency starting and stopping, 11.6.6
 Exhaust, 11.5, A.11.5.2
 Fire pump buildings or rooms with, 4.13.1.3
 Fuel supply and arrangement, 11.4, A.11.4.1.2 to A.11.4.6
 Instrumentation and control, 11.2.4, A.11.2.4.2 to A.11.2.4.3.4.3
 Listing, 11.2.1
 Lubrication, 11.2.9
 Operation and maintenance, 11.6, A.11.6, A.14.2.6
 Pump connection and alignment, 6.5.1.1
 Pump room, 11.3, A.11.3
 Ratings, 11.2.2, A.11.2.2.2 to A.11.2.2.5
 Starting methods, 11.2.7, 11.6.6, A.11.2.7.2.1.5 to A.11.2.7.4.4, A.14.2.6
 Tests, 14.2.6 to 14.2.8, A.14.2.6 to A.14.2.7.1
 Type, 11.1.3, A.11.1.3
 Vertical lineshaft turbine pumps, 7.5.1.3, 7.5.1.4, 7.5.2
Discharge, exhaust, 11.5.3
Discharge cones, 4.19.5.1, 4.19.5.4, 6.3.2(4), 7.3.5.1(4)
Discharge control valves, *see* Control valves

Discharge pipe and fittings, 4.2.3, 4.16, A.4.16.4 to A.4.16.11 *see also* Drainage
 From dump valves, 8.1.6.5
 Pressure maintenance pumps, 4.26.6.1
 From relief valves, 4.19.5 to 4.19.7, 4.19.9, A.4.19.5, A.4.19.7
 Valves, 4.16.7 to 4.16.10, 4.17.1, 4.26.5.1, 4.31.2, A.4.16.7, A.4.16.8
Discharge pressure, 4.19.2.1, 4.19.6.1, 4.20.1.2, 4.20.2.2(2), 4.26.4, 4.26.5.1, 4.28.4.7, A.4.19.2.1, A.4.20.2.1, B.1.1
 Definition, 3.3.42.1
 Diesel engine drive, 11.2.4.3.5
 Electric-drive controllers, 10.10.10.4, A.10.5.2.1.8.2
 Engine drive controllers, A.12.4.4
 Field acceptance tests, 14.2.6.2.6.1, 14.2.6.5.3.3, 14.2.6.5.3.4, A.14.2.6.5(6)
 Positive displacement pumps, 8.2.6, 8.4.4, A.8.2.6, A.8.5.2
 Vertical shaft turbine-type pumps, 7.3.5.1(3)
Discharge pressure gauges, 4.11.1, 8.5.1
Disconnecting means
 Definition, 3.3.13
 Electric-drive controllers, 10.4.3, 10.6.3, 10.6.8, 10.8.2.1.3, A.10.4.3.1 to A.10.4.3.3.2, B.2, B.3.1, B.3.2.2
 Variable speed drives, 10.10.5, A.10.10.5
 Electric drivers, 9.2.3, 9.3.6, A.9.2.3.1(3), A.9.2.3.1(4), B.2
Domestic water supply, 4.13.1.1.6
Drainage
 Pump room/house, 4.13.7, 11.3.1, A.4.13.7
 Relief valve, 4.28.2
 Water mist system pumps, 8.5.4.1
Drain piping, 4.14.4
Drawdown (definition), 3.3.14
Drip-proof motors, 9.5.1.9.1, 9.5.2.4
 Definition, 3.3.35.2
 Guarded (definition), 3.3.35.1
Drivers, 4.2.3, 4.2.4, 4.4.1, 4.7, A.4.4.1, A.4.7.1 to A.4.7.7.3.2, B.1.26 *see also* Diesel engines; Electric motors (drivers); Steam turbines
 Critical path components, 14.5.2, A.14.5.2.3
 Earthquake protection, 4.29.3.1
 Positive displacement pumps, 8.4.3, 8.6, 8.9, A.8.6.1
 Pump connection and alignment, 6.5, A.6.5, B.1.23
 Speed, B.1.28, B.1.30
 Vertical lineshaft turbine pumps, 7.5, 7.6.1.6
Dual-drive pump units, A.4.7.3
Dump valves, 8.1.6
 Control, 8.1.6.3
 Definition, 3.3.67.1
Dust-ignition-proof motor (definition), 3.3.35.3

-E-

Earthquake protection, 4.13.1, 4.14.5, 4.29, A.4.13.1, A.4.14.5, A.4.29.2 to A.4.29.3.4.1
Eccentric tapered reducer or increaser, 4.15.6.4, 6.3.2(1)
Electric-drive controllers, 9.1.2, Chap. 10 *see also* Electric motors (drivers)
 Additive pump motors, 10.9
 Automatic, 10.5.1, 10.5.2, 10.9.2, A.10.5.1, A.10.5.2.1 to A.10.5.2.1.3.2
 Components, 10.4, A.10.4.1 to A.10.4.7

- Connections and wiring, 10.3.4
 - Continuous-duty basis, 10.3.4.4
 - Control circuits, protection of, 10.3.5
 - Construction, 10.3, A.10.3.3.1 to A.10.3.7.3
 - Design, 10.1.3, A.10.1.3
 - Electrical diagrams and instructions, 10.3.7, A.10.3.7.3
 - Electrical power supply connection, 9.6.4
 - Emergency-run control, 10.5.3.2, 10.6.10, A.10.5.3.2
 - External operations, 10.3.6, 10.5.2.6, A.10.3.6
 - Indicating devices
 - Available power, 10.6.6
 - Power source, 10.8.3.8
 - Remote indication, 10.4.8, 10.8.3.14, 10.10.9, A.10.4.5.7
 - Variable speed drive operations, 10.10.8, 10.10.9
 - Listing, 10.1.2.1, 10.1.2.4
 - Location, 10.2, A.10.2.1
 - Low-voltage control circuit, 10.6.5
 - Nonautomatic, 10.5.1, 10.5.2.4, 10.5.3, A.10.5.1, A.10.5.3.2
 - Power transfer for alternate power supply, 10.8, A.10.8
 - Rated in excess of 600 Volts, 10.6
 - Service arrangements, 10.1.2.6
 - Starting and control, 10.5, A.10.5.1 to A.10.5.4.2(1)
 - Motor starting circuitry, 10.4.5, A.10.4.5.7
 - Operating coils, 10.4.5.6
 - Single-phase sensors in controller, 10.4.5.7, A.10.4.5.7
 - Soft start units, 10.4.5.5
 - Starting reactors and autotransformers, 10.4.5.4
 - Starting resistors, 10.4.5.3
 - Timed acceleration, 10.4.5.2
 - State of readiness, 10.1.2.7
 - Stopping methods, 10.5.4, 10.9.3, A.10.5.4.2(1)
 - Variable speed pressure limiting control, 10.5.2.1.8.6, 10.10, A.10.10
 - Voltage drop, 9.1.6, 9.4, A.9.4
 - Electric motors (drivers)**, 4.7.2, 4.7.6, 6.5.1.1, Chap. 9, A.4.7.6 *see also* Electric-drive controllers
 - Backup, 9.3.3
 - Critical path components, 14.5.2.5(3)
 - Current limits, 9.5.2
 - Definition, 3.3.35.4
 - Operation, A.14.2.6
 - Phase reversal test, 14.2.6.7, A.14.2.6.7
 - Power sources and supply, *see* Power supply
 - Problems of, B.1.26, B.1.28 to B.1.31
 - Speed, B.1.28, B.1.30
 - Starting methods, A.14.2.6
 - Tests, 14.2.6 to 14.2.8, A.14.2.6 to A.14.2.7.1
 - Vertical lineshaft turbine pumps, 7.5.1.3, 7.5.1.5, 7.5.2
 - Voltage drop, 9.1.6, 9.4, A.9.4
 - Electric starting, diesel engine**, 11.2.7.2, A.11.2.7.2.1.5 to A.11.2.7.2.4
 - Electric supply**, *see* Power supply
 - Electronic fuel management control**, 11.2.4.2, 12.4.1.4(5), 12.4.1.4(6), 14.2.12, 14.5.2.3, A.11.2.4.2, A.12.4.1.4(6), A.14.2.12, A.14.5.2.3
 - Electrostatic ignitions, preventing**, 11.4.6, A.11.4.6 *see also* Grounding
 - Emergency boiler feed, steam turbine**, A.13.3
 - Emergency control for engine drive controllers**, 12.7.6
 - Emergency governors**, 13.2.2.4, 13.2.2.5, 14.2.9
 - Emergency lighting**, 4.13.5
 - Emergency power source**, 5.5
 - Emergency-run mechanical control**, 10.5.3.2, 10.6.10, A.10.5.3.2
 - Enclosures**
 - Controllers, 9.7(2), 10.3.3, 12.3.3, A.9.7(2), A.10.3.3.1, A.12.3.3.1, A.12.3.8, B.3.2.1
 - Pump, *see* Pump rooms/houses
 - Encode**
 - Definition, C.2.5
 - Failure mode, C.8.2.7
 - End suction pumps**, 6.1.1.2, Fig. A.6.1.1(a)
 - Definition, 3.3.44.4
 - Engine drive controllers**, Chap. 12
 - Air starting, 11.2.7.4, 12.8, A.11.2.7.4.4
 - Automatic, 12.7.1, 12.7.2, A.12.7.2.1.3
 - In-factory wiring, 11.2.6.1, 11.2.7.4.2, A.11.2.6.1.1
 - In-field wiring, 11.2.6.2, A.11.2.6.2
 - Battery charging and recharging, 12.5, 12.6, A.12.5
 - Components, 12.4, A.12.4.1.2 to A.12.4.2.3(3)
 - Connections and wiring, 11.2.6, 11.2.7.4.2, 12.3.5, A.11.2.6.1.1, A.11.2.6.2
 - Construction, 12.3, A.12.3.1.1 to A.12.3.8
 - Contacts, 12.4.3
 - Electrical diagrams and instructions, 12.3.6, 12.3.7.1, 12.3.8, A.12.3.8
 - External operations, 12.3.6.3, 12.7.2.6
 - Indicators, 12.4.1, A.12.4.1.2 to A.12.4.1.6
 - Remote, 12.4.2, 12.4.3, 14.2.7.6, A.12.4.2.3(3)
 - Location, 12.2, A.12.2.1
 - Locked cabinet for switches, 12.3.4
 - Nonautomatic, 12.7.1, 12.7.2.3, 12.7.3
 - Starting and control, 12.4.1.3(3), 12.7, 12.8.2, A.12.7
 - Stopping methods, 12.7.5, 12.8.3, A.12.7.5.2
 - Automatic shutdown, 12.7.5.2, A.12.7.5.2
 - Manual shutdown, 12.7.5.1, 12.8.3, A.12.7.5.2
 - Tests, 12.7.2.7, 12.7.3.2, 14.2.7.7
 - Engines**
 - Diesel, *see* Diesel engines
 - Internal combustion, *see* Internal combustion engines
 - Equivalency to standard**, 1.5
 - Ethernet**, C.1.4, C.3.2.1, C.6.1
 - Definition, C.2.6
 - Exhaust system**
 - Diesel engine, 11.5, A.11.5.2
 - Steam turbines, A.13.3
 - Explosionproof motor (definition)**, 3.3.35.5
- F-**
- Fan-cooled motor, totally enclosed**, 9.5.2.4
 - Definition, 3.3.35.8
 - Fault tolerant external control circuits**, 10.5.2.6, 12.7.2.6
 - Definition, 3.3.8.2
 - Feeder**, 9.2.2, 9.3.6
 - Definition, 3.3.17
 - Inadequate capacity, B.1.28
 - Field acceptance tests**, 4.4.2, 4.33, 14.2, 14.3.5, A.14.2.1 to A.14.2.12

- Component replacement, 14.5, A.14.5.2.3
 - Retests, 14.5.2.7, A.4.5.1.4
 - Fill/refill valves, water tank**, 5.6.1.2 to 5.6.1.5
 - Fire protection equipment control**, 10.5.2.3, 12.7.2.2
 - Fire pump alarms**
 - Definition, 3.3.18
 - Electric-drive controllers, 10.1.1.2, 10.4.7, A.10.4.7
 - Engine drive controllers, 12.1.2, 12.4.1.3 to 12.4.1.5, 12.4.2, 12.4.3, A.12.4.1.4(1), A.12.4.1.4(6), A.12.4.2.3(3)
 - Tests, 14.2.10
 - Fire pump controllers**, 4.2.3, 4.2.4, 4.4.1, 8.7, A.4.4.1, A.8.7 *see also* Electric-drive controllers; Engine drive controllers
 - Acceptance tests, 14.2.6, A.14.2.6
 - Additive pump motors, 10.9
 - Connectivity, *see* Connectivity
 - Critical path components, 14.5.2, A.14.5.2.3
 - Dedicated controller for each driver, 4.7.5
 - Definition, 3.3.19
 - Earthquake protection, 4.29.3.1
 - Maintenance, after fault condition, B.3
 - Network, permanently connected to, C.3.2
 - Positive displacement pump, 8.1.6.3, 8.4.3, 8.4.4
 - Pressure actuated controller pressure sensing lines, 4.31, A.4.31.3
 - Pressure maintenance pump, 4.26.8
 - Protection of, 4.13.1, A.4.13.1
 - Standalone, C.3.1
 - Vertical lineshaft turbine pumps, 7.5.2, 10.10.12
 - Fire pumps**, *see also* Pumps
 - Backup, 9.3.3
 - Critical path components, 14.5.2, A.14.5.2.3
 - Definition, 3.3.44.5
 - In high-rise buildings, *see* High-rise buildings
 - Operations, *see* Operations
 - Packaged fire pump assemblies, 4.30, A.4.30.9
 - Redundant, 14.2.6.5.3.9, 14.2.6.5.3.10
 - Standby, 4.26.7
 - Fire pump units**
 - Definition, 3.3.20
 - Dual-drive, A.4.7.3
 - Field acceptance tests, 4.33
 - Location and protection
 - Indoor units, 4.13.1.1, A.4.13.1.1
 - Outdoor units, 4.13.1.2
 - Performance, 4.4, 14.2.6.6, A.4.4.1
 - Series, 4.20, A.4.20.2.1, A.4.20.2.8.1
 - Definition, 3.3.50, A.3.3.50
 - Firmware**, C.3.1.5, C.4.6
 - Definition, C.2.7
 - Fittings**, 4.2.3, 4.14, 6.3, A.4.14.1 to A.4.14.6, A.6.3.1
 - Discharge, 4.16, A.4.16.4 to A.4.16.11
 - Earthquake protection, 4.29.3.3, A.4.29.3.3
 - Joining method, 4.14.2, A.4.14.2
 - Maintenance, B.1.13
 - Positive displacement pumps, 8.5, A.8.5.2 to A.8.5.5
 - Suction, 4.15, A.4.15.1 to A.4.15.10
 - Vertical lineshaft turbine pumps, 7.3.5, A.7.3.5.3
 - Flexible connecting shafts**, 6.5.1.1, 11.2.3.1, A.6.5
 - Definition, 3.3.21
 - Guards for, 4.13.8
 - Vertical lineshaft turbine pumps, 7.5.1.7.1, 7.5.1.8
 - Flexible couplings**, 6.5.1.1, 6.5.1.2, Fig. A.6.1.1(e), A.6.5, A.6.5.1.2
 - Definition, 3.3.22
 - Diesel engine pump connection, 11.2.3.1
 - Guards, 4.13.8
 - Positive displacement pumps, 8.9.1, 8.9.2
 - Flooded suction (definition)**, 3.3.23
 - Flow-measuring devices**, 5.4, 6.3.2(3), 8.10.2, 8.10.3, 14.2.6.5.3.2, 14.2.6.5.3.3
 - Flow tests**, *see* Tests
 - Foam concentrate piping**, 4.14.3
 - Foam concentrate pumps**, 8.2, 8.5.3, 14.2.11, A.8.2.2 to A.8.2.6, A.8.5.3, A.14.2.11 *see also* Additive pumps
 - Foundations**, 6.4, A.6.4.1, A.6.4.4, B.1.24
 - Positive displacement pumps, 8.8
 - Vertical lineshaft turbine pumps, 7.4.3
 - Frequency-sensing devices**, 10.8.3.7
 - Fuel solenoid valves**
 - Diesel engines, 11.2.7.2.2.2, 11.4.4.7
 - Electric-drive controllers, 10.5.2.1.3.1, 10.5.2.7.3, 10.5.2.7.4, 10.5.3.3, A.10.5.2.1.3.1
 - Engine drive controllers, 12.7.2.1.3.1, 12.7.2.7.3, 12.7.2.7.6, 12.7.3.2, A.12.7.2.1.3.1, A.12.7.2.1.3.2
 - Fuel supply**, 11.4, A.11.4.1.2 to A.11.4.6 *see also* Electronic fuel management control
 - Fuel types, 11.4.5, A.11.4.5
 - Location, 11.4.3, A.11.4.3
 - Maintenance, 11.6.4, A.11.6.4
 - Obstructed system, B.1.32
 - On-site standby generators, 9.6.2.3, A.9.6.2
- G-**
- Gate valves**, 4.15.5, 4.16.8, A.4.15.5, A.4.16.8, Fig. A.4.26.6.5, A.13.3
 - Gear drives**, 7.5.1.7, 14.2.6.5.9
 - Gear pumps (definition)**, 3.3.44.7
 - Generator**, *see* On-site standby generator
 - Global system for mobile communication (GMS) (definition)**, C.2.8
 - Governors**, B.1.30
 - Diesel engine, 11.2.4.1, 14.2.6.5.7.3, 14.2.6.5.7.4
 - Emergency, 13.2.2.4, 13.2.2.5, 14.2.9
 - Speed, steam turbine, 13.2.2
 - Ground-face unions**, 4.31.4.2
 - Grounding**
 - Diesel engines, 11.4.6.2 to 11.4.6.4
 - Electric drive controller enclosures, 10.3.3.3
 - Engine drive controllers, 12.3.3.2
 - Groundwater (definition)**, 3.3.24
 - Guarded motors**
 - Definition, 3.3.35.6
 - Dripproof (definition), 3.3.35.1
- H-**
- Hangers**, 4.14.5, A.4.14.5, A.4.29.3.4.1
 - Head**, 4.5.1, 6.2.2 *see also* Net positive suction head (NPSH) (h_v); Total head (H); Total rated head

- Available from water supply, 4.6.5
 - Definition, 3.3.25, A.3.3.25
 - Net head lower than rated, B.1.12
 - Static, A.6.1.2
 - Total discharge head (, 3.3.25.2
 - Total suction head, 4.23.2.2
 - Definition, 3.3.25.5
 - Velocity head, 3.3.25.6, A.3.3.25.6
 - Vertical turbine pump head component, 7.3.1, A.7.3.1
 - Heat exchangers**, 11.2.8.1(1), 11.2.8.5, 11.2.8.6, A.11.2.8.5, A.11.2.8.6, A.11.3.2, B.1.25
 - Heat source, pump room/house**, 4.13.3
 - High-rise buildings**
 - Definition, 3.3.26
 - Fire pumps for, 4.13.1.1.1, Chap. 5, 9.3.1
 - Horizontal pumps**, 4.1
 - Definition, 3.3.44.8
 - Diesel engine drive connection, 11.2.3.1
 - Installation, Fig. A.6.3.1(a)
 - Shaft rotation, A.4.24
 - Split-case, 6.1.1.3, Fig. A.6.1.1(f), Fig. A.6.3.1(a)
 - Definition, 3.3.44.9
 - Suction pipe and fittings, 4.15.6.3.1 to 4.15.6.3.3
 - Total head, A.14.2.6.5
 - Definition, 3.3.25.3.1, A.3.3.25.3.1
 - Hose valves**, 4.21.3, 6.3.2(2), 7.3.5.1(5), A.4.21.3.1 to A.4.21.3.4(2), A.14.2.6.5
 - Hydraulic starting**, 11.2.7.3, 12.4.1.4(3)
- I-**
- Impellers**
 - Impeller between bearings design, 6.1.1.1, 6.1.1.3, 6.4.1, Fig. A.6.1.1(f), A.6.4.1
 - Overhung impeller design, 6.1.1.1, 6.1.1.2, 6.4.1, 6.4.2, A.6.1.1, A.6.4.1
 - Problems, B.1.8, B.1.10 to B.1.12, B.1.15, B.1.16, B.1.29
 - Vertical lineshaft turbine pumps, 7.3.3.2, 7.5.1.1, 7.5.1.2, 7.5.1.6.2, 7.5.1.7.2, 7.6.1.3, A.7.6.1.1
 - Indicating valves**, 4.16.8, 4.26.6.5, A.4.16.8, A.4.26.6.5
 - In-line pumps**, 6.1.1.2, Figs. A.6.1.1(c) to (e)
 - Definition, 3.3.44.10
 - In-rush currents**, 10.8.3.10
 - In sight from (within sight from, within sight)**
 - Definition, 3.3.27
 - Inspection, periodic**, 14.3.5, 14.4
 - Installer, system**, 4.3.3, A.4.3.3.3(2)
 - Instrument panel**, 11.2.5.1
 - Internal combustion engines**, B.1.26 *see also* Diesel engines
 - Definition, 3.3.15.1.1
 - Pump room or house, heat for, 4.13.3.2
 - Spark-ignited, 11.1.3.2
 - Speed, B.1.28
 - Internet**, C.1.4, C.4.2.1(5), C.4.3
 - Definition, C.2.9
 - IP**, C.4.3, C.5.7
 - Definition, C.2.10
 - LAN IP addresses, C.3.2.2
 - IP-4 (definition)**, C.2.11
 - IP-6 (IPV6) (definition)**, C.2.12
 - Isolating switches**, 10.4.2, 10.8.2.1.2, 10.8.2.2, 10.8.3.12.1, A.10.4.2.1.2, A.10.4.2.3, B.3.1, B.3.2.2
 - Definition, 3.3.60.1
 - Isolation valves**, 4.17.1, 4.26.6.3, 4.26.6.4, 4.26.6.7, 4.31.2
 - IT Department**, C.3.2.2
 - Definition, C.2.13
- J-**
- Jockey pumps**, *see* Pressure maintenance (jockey or make-up) pumps
 - Junction boxes**, 9.7, 10.3.4.5.1, A.9.7(2), A.9.7(3)
- L-**
- Lighting**
 - Emergency, 4.13.5
 - Normal artificial, 4.13.4
 - Limited service controllers**, 10.7
 - Liquid (definition)**, 3.3.30
 - Liquid level**
 - Detectors, 7.3.5.1(2), 7.3.5.3, 14.2.6.2.6, A.7.3.5.3
 - Pumping, 4.6.3, B.1.19
 - Definition, 3.3.31.1
 - Static, 6.1.2, A.6.1.2
 - Definition, 3.3.31.2
 - Well or wet pit, 4.6.3
 - Liquid supplies**, 4.2.3, 4.2.4, 4.6, A.4.6.1 to A.4.6.4
 - Domestic water supply, 4.13.1.1.6, 5.3.2, 5.6.1.5(2)
 - Head, 4.6.5, A.6.1.2
 - Heat exchanger, 11.2.8.5, 11.2.8.6, A.11.2.8.5, A.11.2.8.6
 - Potable water, 8.5.6, 11.2.8.5.3.8, A.11.2.8.5.3.8(A), A.11.2.8.5.3.8(B), A.13.3
 - Pumps, priming of, B.1.19
 - Reliability, 4.6.1, A.4.6.1
 - Sources, 4.6.2, 7.2.1, A.4.6.2, A.7.1.1, A.7.2.1.1, A.7.2.1.2
 - Discharge to, 4.19.7, A.4.19.7
 - Stored supply, 4.6.4, 5.3, 5.4, 5.6.1, A.4.6.4, A.5.6.1.5.1
 - Vertical lineshaft turbine pumps, 7.1.1, 7.2, A.7.1.1, A.7.2.1.1 to A.7.2.7, B.1.19
 - Listed**
 - Component replacement parts, 14.5.2.4.1, 15.5.2.4.2
 - Controllers and transfer switches, 4.26.8, 10.1.2.1, 10.1.2.4, 10.10.1.2, 12.1.3.1
 - Definition, 3.2.3, A.3.2.3
 - Dump valves, 8.1.6.4
 - Electrical circuit protective system to controller wiring, 9.8, A.9.8.1, A.9.8.2
 - Engines, 11.2.1
 - Pumps, 4.7.1, 6.5.1.2, A.4.7.1, A.6.2, A.6.5.1.2
 - Loads start test**, 14.2.6.6
 - Local area network (LAN)**, C.3.2.2, C.3.2.3, C.4.2.1(3)
 - Definition, C.2.14
 - Locked rotor overcurrent protection**, 10.4.4, 10.6.9, A.10.4.4(4)
 - Lockout, additive pump motors**, 10.9.4
 - Loss of phase**, 10.4.7.2.2
 - Definition, 3.3.32
 - Low suction pressure control**, *see* Suction pressure regulating valves
 - Low suction throttling valves**, 4.15.9.2(2)

Lubrication, pump, B.1.21, B.1.27

-M-

Maintenance

Batteries, storage, 11.6.3, B.1.32
 Controllers, B.3
 Diesel engines, 11.6.2 to 11.6.5, A.11.6.2 to A.11.6.5
 Fittings, B.1.13
 Fuel supply, 11.6.4, A.11.6.4
 Pumps, 7.6.2, 14.3.4(2), 14.3.5, 14.4
 Water seals, B.1.6

Main throttle valve, steam turbine, 13.2.1.3

Make-up pumps, *see* Pressure maintenance (jockey or make-up) pumps

Manuals, instruction, 14.3.3, 14.3.4, A.14.3, A.14.3.4(6)

Manual transfer switches, 10.8.1.2, 10.8.3.5

Definition, 3.3.60.2.2

Marking

Additive pump motor controllers, 10.9.5
 Disconnecting means, 9.2.3.1(5), 9.2.3.2
 Electric-drive controllers, 10.1.2.2, 10.1.2.5, 10.3.8, 10.9.5, 10.10.2, 10.10.11, A.10.1.2.2
 Electric drivers, 9.5.3
 Engine drive controllers, 12.1.3.3, 12.3.7
 Transfer switches, 10.1.2.2, A.10.1.2.2

Mass elastic system, 7.5.1.6

Maximum pump brake horsepower, 4.5.1, 11.2.2.7, 11.2.8.5.3.5, A.4.7.6

Definition, 3.3.34

Measurement, units of, 1.6

Meters, 4.21.2, 8.10.2, 8.10.3, A.4.21.2.1, A.4.21.2.10

Motor contactors, 10.4.5.1, B.3.2.4

Motors

Dripproof, *see* Dripproof motors
 Dust-ignition-proof (definition), 3.3.35.3
 Electric, *see* Electric motors (drivers)
 Explosionproof (definition), 3.3.35.5
 Guarded (definition), 3.3.35.6
 Open, 9.5.2.4
 Definition, 3.3.35.7
 Speed, *see* Speed
 Totally enclosed, *see* Totally enclosed motors

Multistage multiport pumps, 4.8, 4.16.2

Definition, 3.3.44.11, A.3.3.44.11
 Engine drive controllers, 12.7.2.1.1.2 to 12.7.2.1.1.4
 Pressure-actuated switch, dedicated, 12.7.2.1.1.2, 12.7.2.1.1.4
 Pressure recorder, dedicated, 10.5.2.1.1.3, 12.7.2.1.1.3

Multistage pumps, 4.1, 6.1.1.2, 6.1.1.3

-N-

Nameplates, on pumps, 4.10

Net positive suction head (NPSH), 7.2.2.2.2, 8.2.2, 8.3.2, A.8.2.2
 Definition, 3.3.25.1

Net pressure (differential pressure), 4.9.2, A.4.9.2, A.8.1.2.2, A.14.2.6.1

Definition, 3.3.42.2, A.3.3.42.2

NFPA 70, Article 695, extracted material, Annex E

No flow (churn, shutoff), A.14.2.6.1

Definition, 3.3.38, A.3.3.38

Nonreverse ratchets, 7.5.1.4, 7.5.1.7.3, 9.5.1.9.2

Nonroutable (definition), C.2.15

Nonventilated motor, totally enclosed, 9.5.2.4

Definition, 3.3.35.10

-O-

Oil pressure, signal of low, 11.2.4.4, 12.4.1.3.1, 12.4.1.3(1)

Oil pressure gauge, 11.2.5.3

On-site power production facility, 9.2.2(2) *see also* Power supply

Definition, 3.3.39

On-site standby generator, 9.3.4, 9.6, 10.8.3.6.2, 10.8.3.12, A.9.6.2, A.9.6.5 *see also* Power supply, Alternate power sources

Definition, 3.3.40, A.3.3.40

Open motors, 9.5.2.4

Definition, 3.3.35.7

Operations

Controllers, external operations, 10.3.6, 10.5.2.6, 12.3.6.3, 12.7.2.6, A.10.3.6

Diesel engines, 11.6, A.11.6

Pumps, 4.3, 7.6.1, A.4.3.2.3(2) to A.4.3.4.2(2), A.7.6.1.1, A.7.6.1.4, A.14.2.6

Vertical lineshaft turbine pumps, 7.6.1, A.7.6.1.1, A.7.6.1.4

Outdoor setting

Fire pump units, 4.13.1.2

Vertical lineshaft turbine pumps, 7.4.2

Outside screw and yoke gate valves, *see* Gate valves

Overcurrent protection, 9.2.2(4), 9.2.3, 9.3.6, 10.3.5.1, 10.8.2.2(3), 10.8.3.11, 14.2.7.8, A.10.8.3.11 *see also* Disconnecting means

Isolating switch, 10.4.2.1.3

Locked rotor, 10.4.4, 10.6.9, A.10.4.4(4)

Overspeed shutdown devices, 9.6.2.2, 11.2.4.4, 12.4.1.3(4), 12.7.5.2.1

-P-

Packaged fire pump assemblies, 4.30, A.4.30.9

Definition, 3.3.44.12

Peak load, 14.2.6.2.1, 14.2.6.2.3, 14.2.6.3.1.1, 14.2.6.6

Alternate power supply, 14.2.8.1

Definition, 3.3.41, A.3.3.41

Phase converters, 9.1.7, A.9.1.7

Phase reversal, 10.4.6.2, 10.4.7.2.3, 14.2.6.7, A.14.2.6.7

Pipe, 4.14, A.4.14.1 to A.4.14.6 *see also* Discharge pipe and fittings; Suction pipe and fittings

Copper pipe or tubing, 4.31.3, 11.4.4.2, A.4.31.3, A.7.2.2.1.3

Earthquake protection, 4.29.3.3, A.4.29.3.3

Exhaust, 11.5.2, A.11.5.2

Flushing, 14.1.1, A.14.1.1

Fuel, 11.4.4, A.11.4.4

Joining method, 4.14.2, A.4.14.2

Problems, causes of, B.1.1 to B.1.3, B.1.6

Protection

Against damage due to movement, 4.18, A.4.18

For fuel line, 11.4.4.6, A.11.4.4.6

Seismic bracing, 4.14.5, A.4.14.5

Size

Minimum pipe size data, Table 4.27(a), Table 4.27(b)

- Suction pipe, 4.15.3, A.4.15.3.2
- Steel, 4.14.1, 4.14.2.1, 4.26.6.1, 4.31.3, 11.4.4.2, A.4.14.1, A.4.31.3
- Pipeline strainers**, 6.3.2(5)
- Piston plunger pump (definition)**, 3.3.44.13
- Positive displacement pumps**, 4.1, Chap. 8
 - Application, 8.1.3
 - Component replacement, 14.5.1
 - Connection to driver and alignment, 8.9
 - Controllers, 8.7, A.8.7
 - Definition, 3.3.44.14
 - Drivers, 8.6, 8.9, A.8.6.1
 - Fittings, 8.5, A.8.5.2 to A.8.5.5
 - Flow tests, 8.10, 14.2.6.5.3
 - Foam concentrate and additive pumps, 8.2, 8.5.3, 8.10.2, A.8.2.2 to A.8.2.6, A.8.5.3
 - Foundation and setting, 8.8
 - Materials, 8.1.5, A.8.1.5
 - Seals, 8.1.4, 8.2.3
 - Suitability, 8.1.2, A.8.1.2
 - Types, 8.1.1
 - Water mist system pumps, 8.3, A.8.3.1
- Power supply**, 4.2.3, 4.2.4
 - Alternate power sources, 9.2.2(4), 9.3, 9.6.4, 10.4.7.2.4, 10.8, 14.2.3, 14.2.8, A.9.3.2, A.10.8 *see also* On-site standby generator
 - Momentary test switch, 10.8.3.13
 - Overcurrent protection, 10.8.3.11, A.10.8.3.11
 - Transfer of power, 9.6.4, 10.8, A.10.8
 - Electric drive for pumps, 9.1.4 to 9.1.6, 9.2, A.9.1.4, A.9.2, B.1.28, B.1.30
 - Alternate power sources, *see* Alternate power sources
 - High-rise buildings, auxiliary power for, 5.5
 - Normal power, 9.2, A.9.2
 - On-site power production facility, 9.2.2(2)
 - Definition, 3.3.39
 - Service-supplied, 9.2.2
 - Variable speed drives, 10.10.6, A.10.10.6.2
 - Steam supply, *see* Steam supply
 - Tests, 10.8.3.13, 14.2.7.9, 14.2.8, A.14.2.6.5
- Pressure**, *see* Discharge pressure; Net pressure (differential pressure); Rated pressure; Suction pressure
- Pressure control valves**, 12.7.2.3, A.13.2.1.1
 - Definition, 3.3.67.3
- Pressure gauges**, 4.11, 5.4, 6.3.1, A.4.11.2, A.6.3.1, B.1.14
 - Oil, 11.2.5.3
 - Positive displacement pumps, 8.5.1
 - Steam, 13.2.3
 - Vertical lineshaft turbine pumps, 7.3.5.1(3)
- Pressure maintenance (jockey or make-up) pumps**, 4.26, 10.3.4.6, 14.2.3, A.4.15.4, A.4.15.9, A.4.26, A.14.2.6(4)
 - Definition, 3.3.44.15
 - Overcurrent protection, 9.2.3.4
 - Pressure sensing lines, 4.31.1, 4.31.2
 - Valves, 4.26.6.2 to 4.26.6.5, 4.26.6.7
- Pressure recorders**
 - Electric-drive controllers, 10.5.2.1.1.3, 10.5.2.1.8.3, 10.5.2.7.2, A.10.5.2.1.8.2
 - Engine drive controllers, 12.4.4, 12.7.2.1.1.3, 12.7.2.7.2, A.12.4.4
 - Field acceptance tests, A.14.2.6
- Pressure-reducing valves**, 4.20.2.6, A.4.7.7.2, A.4.20.2.1, A.13.3
 - Definition, 3.3.67.4
- Pressure-regulating devices**, 4.16.11, 4.20.2.6, A.4.16.11, A.13.2.1.1
 - Definition, 3.3.43
- Pressure relief valves**, *see* Relief valves
- Pressure sensing lines**, 4.31, 11.2.4.3.4, A.4.31.3, Fig. A.4.31(b), A.11.2.4.3.4.3
- Private area network (PAN) (definition)**, C.2.16
- Protection**
 - Equipment, 4.13, A.4.13
 - Personnel, 10.6.7, B.2
 - Piping
 - Fuel line, 11.4.4.6, A.11.4.4.6
 - Movement, damage due, 4.18, A.4.18
 - Seismic bracing, 4.14.5, A.4.14.5
- Protective devices**, *see also* Overcurrent protection
 - Control circuits, 10.3.5
 - Controller, 10.4.2 to 10.4.4, 10.6.9, A.10.4.2.1.2 to A.10.4.4(4)
 - Listed electrical circuit protective system to controller wiring, 9.8, A.9.8.1, A.9.8.2
 - On-site power source circuits, 9.6.5, A.9.6.5
 - Overspeed shutdown device, 11.2.4.4
 - Variable speed drive circuit protection, 10.10.5, A.10.10.5
- Pump brake horsepower, maximum**, *see* Maximum pump brake horsepower
- Pumping liquid level**, 4.6.3, A.7.1.1
 - Definition, 3.3.31.1
- Pump manufacturers**, 10.1.2.6, 12.1.4, 14.2.1, A.14.2.1
- Pump rooms/houses**, 4.13, A.4.13
 - Access to, 4.13.2, 5.2, A.5.2
 - Diesel engine drive, 11.3, 11.6.5, A.11.3, A.11.6.5
 - Drainage, 4.13.7, 11.3.1, A.4.13.7
 - Electrical wiring, field testing of, 14.2.3
 - Electric-drive controllers, 9.6.4, 10.4.7.1, 10.5.2.6.3
 - Engine drive controllers, 12.3.5.3.4, 12.4.2.1, 12.7.2.6.3
 - Lighting, 4.13.4, 4.13.5
 - Temperature of, 4.13.3, 11.6.5, A.11.6.5, B.1.17
 - Torch-cutting or welding in, 4.14.6, A.4.14.6
 - Ventilation, 4.13.6, 11.3.2, A.11.3.2
 - Vertical lineshaft turbine pumps, 7.4.1
- Pumps**
 - Additive, *see* Additive pumps
 - Bypass, with, 4.15.4, 11.2.8.6, A.4.15.4, A.11.2.8.6
 - Can (definition), 3.3.44.2
 - Centrifugal, *see* Centrifugal pumps
 - End suction, *see* End suction pumps
 - Fire, *see* Fire pumps
 - Foam concentrate, *see* Foam concentrate pumps
 - Gear (definition), 3.3.44.7
 - Horizontal, *see* Horizontal pumps
 - In-line, *see* In-line pumps
 - Listed, 4.7.1, A.4.7.1
 - Lubrication, B.1.21, B.1.27
 - Multiple, 4.15.3.1, 4.15.7, 12.1.3.3.2, 14.2.3, 14.2.6.2.3.1
 - Sequence starting of, 9.6.3, 10.5.2.5, 12.7.2.5

Multistage, 4.1, 6.1.1.2, 6.1.1.3 *see also* Multistage multiport pumps

Piston plunger (definition), 3.3.44.13

Positive displacement, *see* Positive displacement pumps

Pressure maintenance, *see* Pressure maintenance (jockey or make-up) pumps

Pressure maintenance (jockey or make-up), *see* Pressure maintenance (jockey or make-up) pumps

Priming, B.1.19

Problems, causes of, Annex B

Rotary lobe (definition), 3.3.44.16

Rotary vane (definition), 3.3.44.17

Single-stage, 4.1, 6.1.1.2, 6.1.1.3, A.6.1.1

Speed, 4.7.6, A.4.7.6, B.1.30

Vertical lineshaft turbine, *see* Vertical lineshaft turbine pumps

Pump shaft rotation, 4.24, A.4.24, B.1.18

Purpose of standard, 1.2

-Q-

Qualified person (definition), 3.3.46

-R-

Radiators, 11.2.8.8, 11.3.2.1(4), 11.3.2.4.3, A.11.3.2, A.11.3.2.4.3.4

Rated flow, 4.6.2.3.1, 4.6.2.3.2, 4.6.5.2, 4.16.10.5, 14.1.1.3, 14.2.6.2.4, A.14.5.2.3

Definition, 3.3.47

Rated pressure, 8.4.4, 8.5.2.2, 11.2.8.5.3.2

Definition, 3.3.42.3

Rated speed, *see* Speed

Record drawings, 14.3.1, A.14.3

Definition, 3.3.49

References, Chap. 2, Annex D

Relief valves, 4.7.7.2, 4.19, 4.26.5.1, 6.3.2(4), A.4.7.7.2, A.4.19.1 to A.4.19.7, A.4.19.1 to A.4.19.8, A.6.3.1

Circulation relief valves, 4.12, 6.3.1, A.6.3.1, A.14.2.6.1

Definition, 3.3.67.5.1

Definition, 3.3.67.5

Drainage, backflow prevention device, 4.28.2

Field acceptance tests, 14.2.6.3.2, 14.2.6.3.3, A.14.2.6.1

Positive displacement pumps, 8.5.2 to 8.5.4, A.8.5.2 to A.8.5.4

Vertical lineshaft turbine pumps, 7.3.5.1(4)

Remote control, C.7

Remote station, manual control at, 10.5.2.4, 12.7.2.3

Retroactivity of standard, 1.4

Rotary lobe pump (definition), 3.3.44.16

Rotary vane pump (definition), 3.3.44.17

Routable, C.3.2.3, C.4.3

Definition, C.2.17

Routing (definition), C.2.18

RS-232 (EIA-32), C.1.4, C.6.1

Definition, C.2.19

RS-485 (EIA-45), C.1.4, C.6.1

Definition, C.2.20

-S-

Scope of standard, 1.1, A.1.1

Screens

Suction pipe, 4.15.8, 7.3.4.3, A.4.15.8

Well, 7.2.4.5 to 7.2.4.11

Seals

Positive displacement pumps, 8.1.4, 8.2.3

Rings improperly located in stuffing box, B.1.20

Water seals, maintenance of, B.1.6

Seismic bracing, 4.14.5

Sequence starting of pumps, 9.6.3, 10.5.2.5, 12.7.2.5

Serial port, C.3.1.3, C.3.2.1

Definition, C.2.21

Serial protocol (definition), C.2.22

Series fire pump units, 4.20, A.4.20.2.1, A.4.20.2.8.1

Definition, 3.3.50, A.3.3.50

Service (power source), 9.2.2

Definition, 3.3.51, A.3.3.51

Service equipment, 9.2.3.1(1)

Definition, 3.3.52, A.3.3.52

Service factor (definition), 3.3.53

Service personnel, 4.3.4, A.4.3.4

Set pressure, 4.7.7.3.2, A.4.7.7.3.2

Definition, 3.3.54

Variable speed pressure limiting control, 10.10.3.1, 10.10.8.3, A.10.10.3.1

Shaft rotation, *see* Pump shaft rotation

Shafts, flexible connecting, *see* Flexible connecting shafts

Shall (definition), 3.2.4

Shop tests, *see* Tests

Should (definition), 3.2.5

Shutoff, *see* No flow (churn, shutoff)

Shutoff valves, 4.19.9, 4.31.5, 11.2.8.5.3.3, 11.2.8.5.3.4, 11.2.8.6.2, 11.2.8.6.3, 11.4.4.4, 11.4.4.5

Signal devices

Electric-drive controllers, 10.1.1.2, 10.4.6, 10.4.7, A.10.4.6, A.10.4.7

Engine drive controllers, 12.1.2, 12.4.2, 12.4.3, A.12.4.2.3(3)

Phase reversal indicators, 10.4.6.2, 10.4.7.2.3

Signals, 4.25, A.4.25

Definition, 3.3.56, A.3.3.56

Diesel engines, 11.2.4.4

Electric-drive controllers, 10.4.5.7.3, 10.4.7.1, 10.8.3.12.2

Engine drive controllers, 12.4.1.3 to 12.4.1.5, 14.2.7.6, A.12.4.1.4(1), A.12.4.1.4(6)

Engine running and crank termination, 11.2.7.4.3

Tests, 14.2.10

Visible, 10.4.7.1 *see also* Visible indicators

Single-stage pumps, 4.1, 6.1.1.2, 6.1.1.3, A.6.1.1

Spare parts, 14.3.4(6), 14.5.2.3, 14.5.2.4.1, 15.5.2.4.2, A.14.3.3, A.14.3.4(6), A.14.5.2.3

Speed, *see also* Variable speed pressure limiting control

Engine

Definition, 3.3.57.1

Internal combustion engine, B.1.28

Overspeed shutdown device, 11.2.4.4, 12.4.1.3(4), 12.7.5.2.1

Motor, B.1.28, B.1.30

Definition, 3.3.57.2

Overspeed shutdown device, 9.6.2.2

Rated, 4.7.6, A.4.7.6, A.14.2.6.5

Definition, 3.3.57.3

Steam turbine, B.1.28

- Speed governor, steam turbine**, 13.2.2, A.13.2.1.1
- Split-case pumps**, *see* Horizontal pumps
- Sprinkler systems**, 4.13.1.3
- Standard (definition)**, 3.2.6
- Static liquid level**, 6.1.2, A.6.1.2
Definition, 3.3.31.2
- Steam supply**, 4.22, 13.1.3.1, 13.3, A.13.3
- Steam turbines**, 4.7.2, 4.7.6, Chap. 13, A.4.7.6, B.1.26
Acceptability, 13.1.1
Backup, 9.3.3
Bearings, 13.2.6
Capacity, 13.1.2
Casing and other parts, 13.2.1, A.13.2.1.1
Critical path components, 14.5.2.5(3)
Gauge and gauge connections, 13.2.3
Installation, 13.3, A.13.3
Obstructed pipe, B.1.32
Rotor, 13.2.4
Shaft, 13.2.5
Speed, B.1.28
Speed governor, 13.2.2
Starting methods, A.14.2.6
Steam consumption, 13.1.3, A.13.1.3
Tests, 14.2.6, 14.2.9, A.14.2.6
Vertical lineshaft turbine pumps, 7.5.1.3, 7.5.1.4, 7.5.2
- Steel pipe**, *see* Pipe
- Storage batteries**, *see* Batteries, storage
- Strainers**, *see also* Suction strainers
Engine cooling system, B.1.25
Pipeline, 6.3.2(5)
Suction, vertical shaft turbine pumps, 7.3.4
- Stuffing boxes**, B.1.5, B.1.7, B.1.20
- Suction**, *see also* Net positive suction head
Backflow preventers, evaluation of, 4.28.4.2, 4.28.4.3, 4.28.4.6, 4.28.4.7
Static suction lift, 6.1.2, A.6.1.2
Total suction head, 4.23.2.2
Definition, 3.3.25.5
Total suction lift (, 3.3.66
- Suction pipe and fittings**, 4.2.3, 4.15, A.4.15.1
Devices in, 4.15.9, 4.28.3, 4.28.4.2, 4.28.4.3, 4.28.4.6, 4.28.4.7, A.4.15.9
Elbows and tees, 4.15.6.3
Freeze protection, 4.15.6.2
Pressure maintenance pumps, 4.26.6.1
Problems, causes of, B.1.1 to B.1.3
Strain relief, 4.15.6.5
Valves, 4.17.1
- Suction pressure**, 4.6.2.3.2, 4.7.7.1, 4.11.2.1.1, 4.11.2.3, 4.12.1.2, 4.15.9.2, 4.19.1.2, 4.20.2.9.1.1(6), 4.20.2.9.1.2(4), 4.28.4.2, 4.28.4.3, 4.28.4.6, A.4.15.3.2, A.4.15.9, A.14.2.6.5(6)
Definition, 3.3.42.4
Diesel engine drive, 11.2.4.3.1
Electric-drive controllers, 10.5.2.5.2
Engine drive controllers, 12.7.2.5.2
Vertical lineshaft turbine pumps, 7.3.5.3, A.7.2.2.1.3, A.7.3.5.2
- Suction pressure controls**, *see* Suction pressure regulating valves
- Suction pressure gauges**, 4.11.2, 4.28.4.3, 8.5.1, A.4.11.2
- Suction pressure regulating valves**, 4.15.9.2(2), 4.16.10
Definition, 3.3.67.2
- Suction reservoir, discharge to**, 4.19.8, A.4.19.8
- Suction screening**, 4.15.8, A.4.15.8
- Suction strainers**, 4.15.9.2(4)
Positive displacement pumps, 8.5.5, A.8.5.5
Vertical shaft turbine pumps, 7.3.4
- Sump, vertical shaft turbine-type pumps**, 7.4.3.7
- Switches**, *see also* Isolating switches; Transfer switches
Electronic control module (ECM) selector switch, 11.2.4.2.3
Locked cabinets for, 12.3.4
Nonpressure-actuated, 10.5.1.2
Overspeed, 11.2.4.4.4
Pressure-actuated, 10.5.1.2, 10.5.2.1.1, 10.6.4, 12.7.2.1.1, 14.2.7.6
Pressure switch, pressure sensing line, 4.31.6, Fig. A.4.31(a)
Signal silencing, 12.4.1.5
- System designer**, 4.3.2, A.4.3.2.3(2)
- System installer**, 4.3.3, A.4.3.3.3(2)
- T-**
- Tachometer**, 11.2.5.2
- Tanks**
Break, *see* Break tanks
Fuel supply, 11.4.1.2 to 11.4.1.6, 11.4.2, 11.4.3, A.11.4.1.2, A.11.4.1.3.1, A.11.4.3
Water supply, high-rise buildings, 5.3, 5.4, 5.6.1
- Temperature, indicators for high/low**
Coolant, 11.2.4.4
Engine, 12.4.1.3(2), 12.4.1.4(9)
Water, 12.4.1.3(5), 12.4.1.4(11)
- Temperature gauge**, 11.2.5.4
- Tests**, *see also* Field acceptance tests; Water flow test devices
Aquifer performance analysis, A.7.2.1.2
Definition, 3.3.3
Component replacement, 14.5, A.14.5.2.3
Controllers, 10.1.2.3, 10.1.2.6
Acceptance, 14.2.7, A.14.2.7.1
Automatic testing, 10.5.2.7, 12.7.2.7, 12.7.5.2.1(1), A.12.7.5.2.1(1)
Manual, 12.7.3.2
Pressure switch-actuated automatic controller, 10.5.2.1.7
Rated in excess of 600 Volts, 10.6
Duration, 14.2.11, A.14.2.11
Flow, 5.4, 8.10, 14.2.6.2, 14.2.6.5.3, A.14.2.6.2.2, A.14.2.6.5
High-rise buildings, fire pumps for, 5.4
Hydrostatic, 4.23.2, 14.1.2
Loads start test, 14.2.6.6
Metering devices or fixed nozzles for, 4.21.2.1, 8.10.2, 8.10.3, A.4.21.2.1
Momentary test switch, alternate power source, 10.8.3.13
Periodic, 14.4
Reports, 14.3.2, A.14.3
Shop (preshipment), 4.5, 4.23, 10.1.2.3, 14.2.4.2
Suction pipe, 4.15.2
Vertical lineshaft turbine pump wells, 7.2.7, A.7.2.7
- Tools, special**, 14.3.5
- Total discharge head (, 3.3.25.2**

Total head (

- Horizontal pumps, A.14.2.6.5
- Definition, 3.3.25.3.1, A.3.3.25.3.1
- Vertical turbine pumps, 7.1.2.1, 7.1.2.2, A.14.2.6.5
- Definition, 3.3.25.3.2, A.3.3.25.3.2

Totally enclosed motors

- Definition, 3.3.35.9
- Fan-cooled, 9.5.2.4
- Definition, 3.3.35.8
- Nonventilated, 9.5.2.4
- Definition, 3.3.35.10

Total rated head, 7.1.2.1, 7.1.2.2

- Definition, 3.3.25.4

Total suction head, 4.23.2.2

- Definition, 3.3.25.5

Total suction lift, 3.3.66**Trade sizes, 1.6.5****Transfer switches, 9.1.2, 10.1.1.1, 10.4.8, 10.8, A.10.8**

- Automatic, *see* Automatic transfer switches
- Listing, 10.1.2.1, 10.1.2.4
- Manual, *see* Manual transfer switches
- Marking, 10.1.2.2, A.10.1.2.2
- Nonpressure-actuated, 10.5.2.2
- Service arrangements, 10.1.2.6

Transformers, 9.2.2(5)**Transmission control protocol/internet protocol (TCP/IP), C.5.6,**

C.6.1

- Definition, C.2.23

Troubleshooting, Annex B**Turbine pumps, vertical lineshaft, *see* Vertical lineshaft turbine pumps****Turbines, steam, *see* Steam turbines****-U-****Undervoltage-sensing devices, 10.8.3.6****Units, pump, *see* Fire pump units****Units of measurement, 1.6****Unloader valves, 8.3.4, 8.3.5**

- Definition, 3.3.67.6

USB protocol (definition), C.2.24**User (definition), C.2.25****-V-****Valves, *see also* Butterfly valves; Check valves; Control valves; Dump valves; Fuel solenoid valves; Gate valves; Hose valves; Pressure-reducing valves; Relief valves; Shutoff valves**

- Bypass, 4.17.1
- Discharge pipe, 4.16.7 to 4.16.10, A.4.16.7, A.4.16.8
- Fill/refill, water tank, 5.6.1.2 to 5.6.1.5
- Governor, 14.2.9, A.13.2.1.1
- Isolation, 4.17.1, 4.31.2
- Low suction throttling, 4.15.9.2(2)
- Main throttle, steam turbine, 13.2.1.3
- Manual reset, A.13.2.1.1
- Signal silencing, 12.4.1.5
- Suction pressure regulating, 4.16.10
- Definition, 3.3.67.2
- Supervision of, 4.17, A.4.17

Unloader, 8.3.4, 8.3.5

Definition, 3.3.67.6

Variable speed controllers, *see also* Variable speed pressure limiting control; Variable speed suction limiting control

- Motors used with, 9.5.1.4, A.9.5.1.4
- Positive displacement pumps, 8.4.6, 8.5.7.2

Variable speed pressure limiting control, 4.7.7.3, 4.19.1.3, A.4.7.7.3.2

Definition, 3.3.68

- Diesel engines, 11.2.4.3, A.11.2.4.3.4.3
- Electric drive controllers, 10.5.2.1.8.6, 10.10, A.10.10
- Engine drive controllers, 12.4.1.4(4)
- Positive displacement pumps, 8.5.7.2
- Tests, 14.2.6.3, 14.2.6.5.7.4

Variable speed suction limiting control

Definition, 3.3.69

- Diesel engines, 11.2.4.3, A.11.2.4.3.4.3
- Electric drive controllers, 10.10, A.10.10

Variable speed vertical pumps, 7.5.3, 10.10.12**Velocity head (, 3.3.25.6, A.3.3.25.6****Ventilation of pump room/house, 4.13.6, 11.3.2, A.11.3.2****Vertical hollow shaft motors, 7.5.1.5, 7.5.1.6.3, 7.5.1.7.2****Vertical in-line pumps, 4.29.3.2, A.4.29.3.2****Vertical lineshaft turbine pumps, 4.1, Chap. 7 *see also* Wells, vertical shaft turbine pumps**

Bowl assembly, 7.3.3

Column, 7.3.2, A.7.3.2.1

Consolidated formations, 7.2.5, A.7.2.5

Controllers, 7.5.2

Definition, 3.3.44.18

Drivers, 7.5, 7.6.1.6, 9.5.1.9

Factory and field performance, 7.1.2

Fittings, 7.3.5, A.7.3.5.3

Head, 7.3.1, A.7.3.1

Total head, 7.1.2.1, 7.1.2.2, A.14.2.6.5

Definition, 3.3.25.3.2, A.3.3.25.3.2

Installation, 7.4, A.7.1, A.7.4

Maintenance, 7.6.2

Oil-lubricated type, 7.3.2.4 to 7.3.2.6, A.7.1.1

Operation, 7.6.1, A.7.6.1.1, A.7.6.1.4

Pump house, A.4.12

Shaft rotation, A.4.24

Shop test, 4.23.2.5

Submergence, 7.2.2, A.7.2.2.1, A.7.2.2.2

Suction strainer, 7.3.4

Suitability, A.7.1.1

Unconsolidated formations, 7.2.4

Water supply, 7.1.1, 7.2, A.7.1.1, A.7.2.1.1 to A.7.2.7, B.1.19

Vibration, pump, 7.6.1.5**Visible indicators**

Electric-drive controllers, 10.4.5.7.3, 10.4.6.1, 10.6.6.2 to 10.6.6.4, 10.8.3.8, 10.8.3.12.2, A.10.4.5.7

Engine drive controllers, 12.4.1.1 to 12.4.1.4, 12.4.2.1, A.12.4.1.2 to A.12.4.1.4(6)

Voltage

Low, B.1.28

Rated motor voltage different from line voltage, B.1.31

Tests, 14.2.6.5.4 to 14.2.6.5.6, A.14.2.6.5.5

- Voltage drop**, 9.1.6, 9.4, A.9.4
Voltage-sensing devices, 10.8.3.7
Voltage surge arresters, 10.4.1, A.10.4.1
Voltmeter, 12.4.5, A.14.2.6.5
Vortex plate, A.4.14.10
- W-
- Waste outlet, heat exchanger**, 11.2.8.7
Water flow test devices, 4.21, A.4.21.1.1 to A.4.21.3.4(2)
Water level, *see* Liquid level
Water mist positive displacement pumping units, 8.4
 Definition, 3.3.44.19, A.3.3.44.19
 Pressure maintenance, 8.5.7.2 to 8.5.7.4
 Tests, 14.2.4.1.1, 14.2.4.2.1, 14.2.4.2.2, 14.2.6.5.3.7, 14.2.6.5.3.8,
 14.5.1.3.1
Water mist positive displacement pumps, 8.3, 8.5.4, A.8.3.1, A.8.5.4
Water pressure control, 10.5.2.1, 12.7.2.1, A.10.5.2.1, A.12.7.2.1.3
Water supplies, *see* Liquid supplies
Wearing rings, B.1.9, B.1.19
Welding, 4.14.6, A.4.14.6
Wells, vertical shaft turbine pumps
 Construction, 7.2.3
 Developing, 7.2.6
 Installations, 7.2.2.1, A.7.1.1, A.7.2.2.1
 Problems, causes of, B.1.4
 Screens, 7.2.4.5 to 7.2.4.11
 Test and inspection, 7.2.7, A.7.2.7
 Tubular wells, 7.2.4.16
 In unconsolidated formations, 7.2.4
 Water level, 4.6.3
Wet pits
 Definition, 3.3.71
 Installation of vertical shaft turbine pumps, 7.2.2.2, 7.4.3.7,
 A.7.2.1.1, A.7.2.2.2
 Suction strainer requirement, 7.3.4.3
 Water level, 4.6.3
Wide area network (WAN), C.4.2.1(4)
 Definition, C.2.26
Wiring, *see also* Disconnecting means
 Electric-drive controllers, 10.3.4
 Engine drive controllers, 11.2.6, 12.3.5, A.11.2.6.1.1, A.11.2.6.2
 Field acceptance tests, 14.2.3
 Packaged fire pump assemblies, 4.30.2
 Problems of, B.1.32